

# WF34 Tapered 0.385" Bore Thermowell

## Model Code

WF34 - T1 - T2 - T3

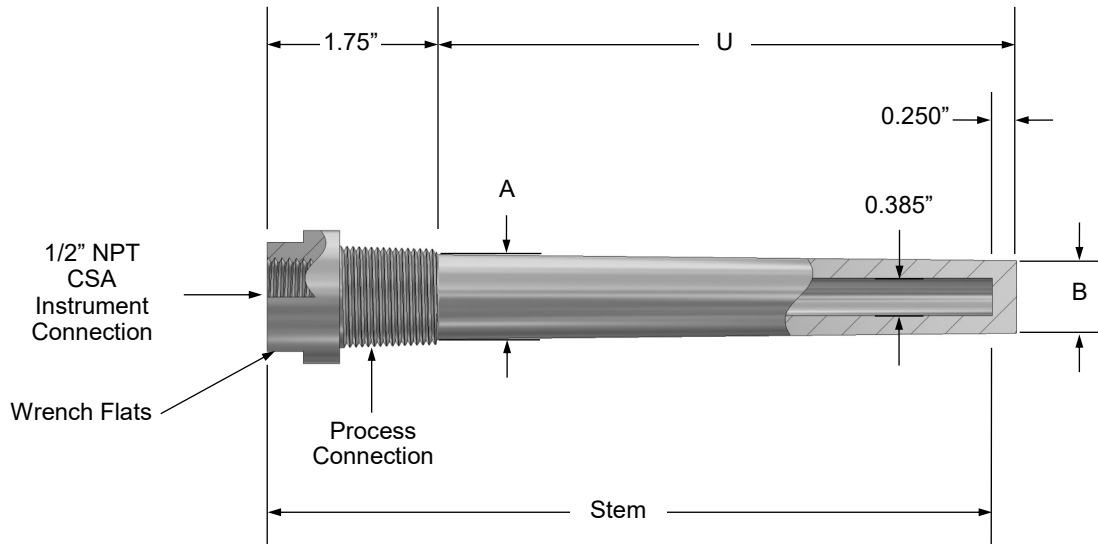
### WF34 Tapered - 0.385" Bore - Wrench Flat - Threaded

T1	Process Connection	"A" (Root)	"B" (Tip)
3/4	3/4" NPT	0.875"	0.750"
1	1" NPT	1.063"	0.750"
Other	Consult factory		

T2	Material		
304	304/304L stainless	800	Incoloy 800
316	316/316L stainless	A105	A105 carbon steel
310	310 stainless steel	LF2	A350 LF2
600	Inconel 600	HAC	Hastelloy C276
625	Inconel 625	Other <sup>2</sup>	Consult factory

T3	Specify "U" Length (inches)
"inches"	Specify length in inches

## Outline & Dimensions



### Special option codes specified as come complete with (c/w) thermowell if required

Code	Description
SSPC	Stainless steel plug and chain
BRPC	Brass plug and chain
OVRL	Overlay (details to be specified)

### NOTES:

1. Part number example: WF34-1-316-4.5 or WF34-3/4-316-2.5 c/w SSPC
2. Canadian Registration Number (CRN) available for most common alloys, consult factory

