

# L1219D

## Universal Explosion-proof LED Lighting

### Warning Light (Flashing Type or Rotating Type)



Net Weight: 7.7 kg (17.0 lb)

<b>Zone 1</b>	<b>Zone 2</b>	<b>Zone 21</b>	<b>Zone 22</b>	<b>IP68</b>	<b>NEMA 6P</b>
---------------	---------------	----------------	----------------	-------------	----------------

#### Protection

- Ex d IIB + H<sub>2</sub> T6 Gb
- Ex tb IIIC T55°C Db
- Ⓜ II 2 G Ex d IIB + H<sub>2</sub> T6 Gb
- Ⓜ II 2 D Ex tb IIIC T55°C Db

#### Standards

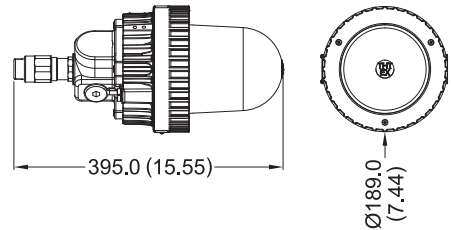
- IEC 60079-0
- IEC 60079-1
- IEC 60079-31
- EN 60079-0
- EN 60079-1
- EN 60079-31

#### Light Features

- Flashing / Rotation Type
- Light Color: Red, Blue, Green, Yellow

### Technical Data

Rated Voltage (±10%)	24V / 100V / 110V / 200V / 220V AC
Watts (±10%)	10W (Max.)
Amps	10W 24V: 0.42A, 100V: 0.10A, 110V: 0.09A, 200V: 0.05A, 220V: 0.045A
Flash Rate	150 / Minute
Rotate Rate	160 rpm
Color of LED Light	Red / Yellow / Blue / Green
Ambient Temperature	-20°C ~ +40°C, T6
Beam Angle	X-110° / Y-110°
Frequency	50 / 60 Hz
Degree of Protection	IP68 / NEMA 6P
Material	<ul style="list-style-type: none"> <li>• Enclosure: Aluminum alloy</li> <li>• Glass: Tempered glass</li> </ul>
Entrance Thread	G 3/4" × 4 (Tall top cover)



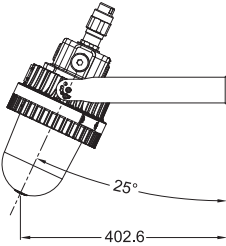
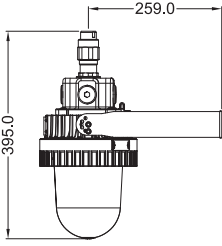
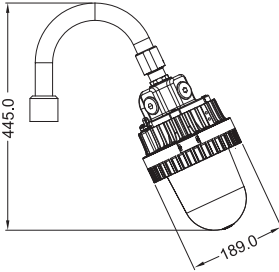
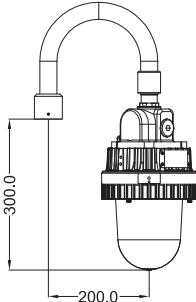
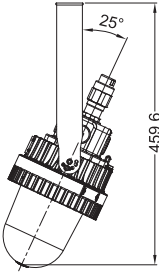
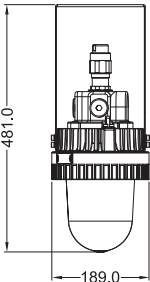
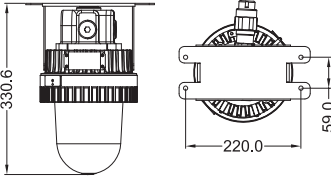
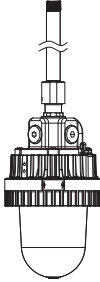
Dimension in Millimeters (inches)

### Model Code

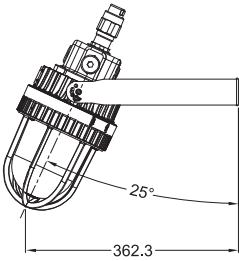
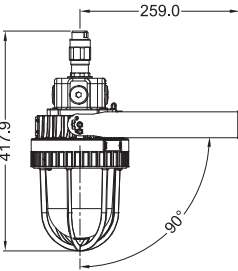
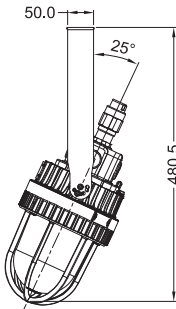
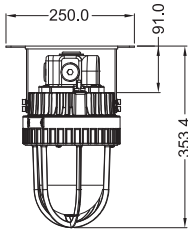
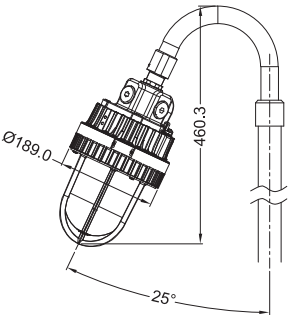
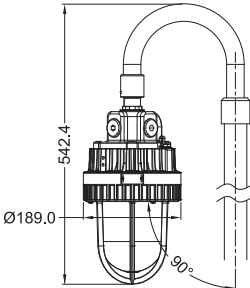
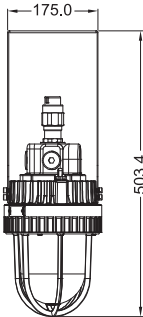
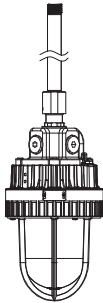
<b>THT-EX</b>	<b>1219</b>	<b>R</b>	<b>E</b>	<b>W</b>	<b>A</b>	<b>0</b>	<b>1</b>	<b>C90</b>
Brand, THT=Top Hi-Tech Co, Ltd.	Model Name, 1219=Model L1219	C.C.T., R=Red light, Y=Yellow light, B=Blue light, G=Green light	Voltage, A=24V, C=110V, E=220V, B=100V, D=200V	Type of LED carrier, W=Warning light	Type of Top Cover, A=Tall type	LED quantity, 0=Warning light set	Wattage, 1=10W	Mounting bracket type W25/90=Wall Mount 25°/90° H25/90=Hanging Mount 25°/90° S25/90=Stanchion 25°/90° P30=Pendant C90=Ceiling

## Mounting Option & Dimensions (All in mm)

### Tall Top Cover (Standard Product)

<p>Wall Mount 25° (W25)</p>  <p>8.2 kg (18.1 lb)</p>	<p>Wall Mount 90° (W90)</p>  <p>8.2 kg (18.1 lb)</p>	<p>Stanchion 25° (S25)</p>  <p>8.7 kg (19.2 lb)</p>	<p>Stanchion 90° (S90)</p>  <p>8.8 kg (19.4 lb)</p>
<p>Hanging Mount 25° (H25)</p>  <p>8.2 kg (18.1 lb)</p>	<p>Hanging Mount 90° (H90)</p>  <p>8.2 kg (18.1 lb)</p>	<p>Ceiling (C90)</p>  <p>9.3 kg (20.5 lb)</p>	<p>Pendant (P30)</p>  <p>8.2 kg (18.1 lb)</p>

### Tall Top Cover (With Accessory "Guard")

<p>Wall Mount 25° (W25G)</p>  <p>8.4 kg (18.5 lb)</p>	<p>Wall Mount 90° (W90G)</p>  <p>8.4 kg (18.5 lb)</p>	<p>Hanging Mount 25° (H25G)</p>  <p>8.4 kg (18.5 lb)</p>	<p>Ceiling (C90G)</p>  <p>9.5 kg (20.9 lb)</p>
<p>Stanchion 25° (S25G)</p>  <p>8.9 kg (19.6 lb)</p>	<p>Stanchion 90° (S90G)</p>  <p>9.0 kg (19.8 lb)</p>	<p>Hanging Mount 90° (H90G)</p>  <p>8.4 kg (18.5 lb)</p>	<p>Pendant (P30G)</p>  <p>8.4 kg (18.5 lb)</p>