



# L1239

## Universal Explosion-proof LED Lighting



10W/20W



Net Weight: 1.8 kg (4.0 lb)



### Protection

- Ex d IIC T5 Gb
- Ex tb IIIC T135°C Db

### Standards

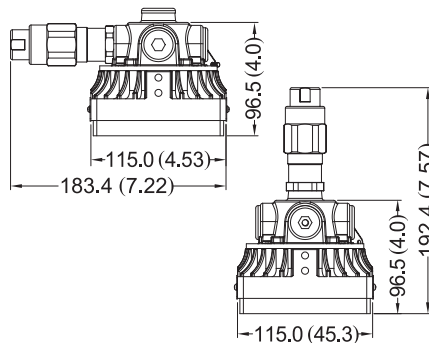
- CNS 3376-0
- CNS 3376-1
- IEC 60079-31

### Light Features

- Compact size
- Light weight and portable
- Salt Spray 1000 hrs passed

## Technical Data

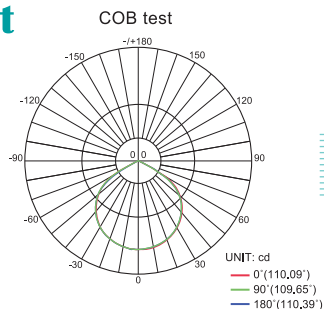
Rated Voltage (±10%)	24V / 110V / 220V AC		
Watts (±10%)	10W / 20W (Watts of 24V are different, please contact us for details.)		
Amps	10W 24V: 0.42A, 110V: 0.09A, 220V: 0.05A 20W 24V: 0.83A, 110V: 0.18A, 220V: 0.09A		
Color of LED Light	3000K (Warm White) / 5000K (Cool White)		
Ambient Temperature	-20°C ~ +40°C, T5		
Power Factor	cos ≥ 0.9		
CRI	Cool White ≥ 70 / Warm White ≥ 80		
Lumen (±10%)	COB	10W	20W
	3000K	1005lm	2006lm
	5000K	2098lm	2200lm
Beam Angle	X-110° / Y-110°		
Frequency	50 / 60 Hz		
Degree of Protection	IP68 / NEMA 6P		
Material	<ul style="list-style-type: none"> <li>• Enclosure: Aluminum alloy</li> <li>• Glass: Tempered glass</li> </ul>		
LED Service Life	60,000 hrs		
Entrance Thread	5 × G 1/2"		



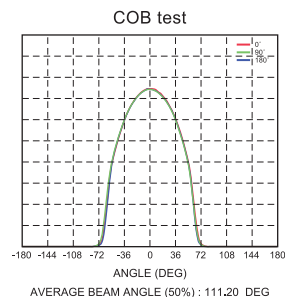
Dimension in Millimeters (inches)

## Optical Report

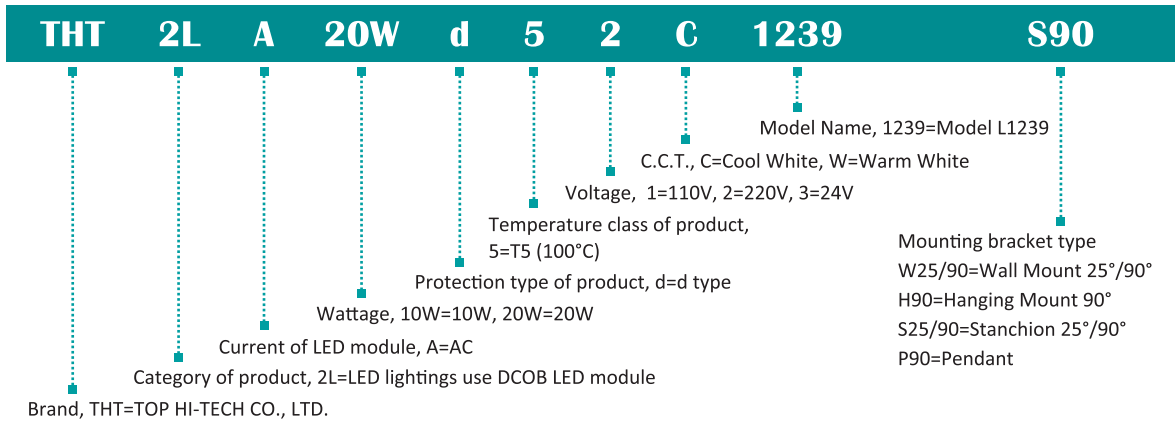
Polar Luminous Intensity Distribution



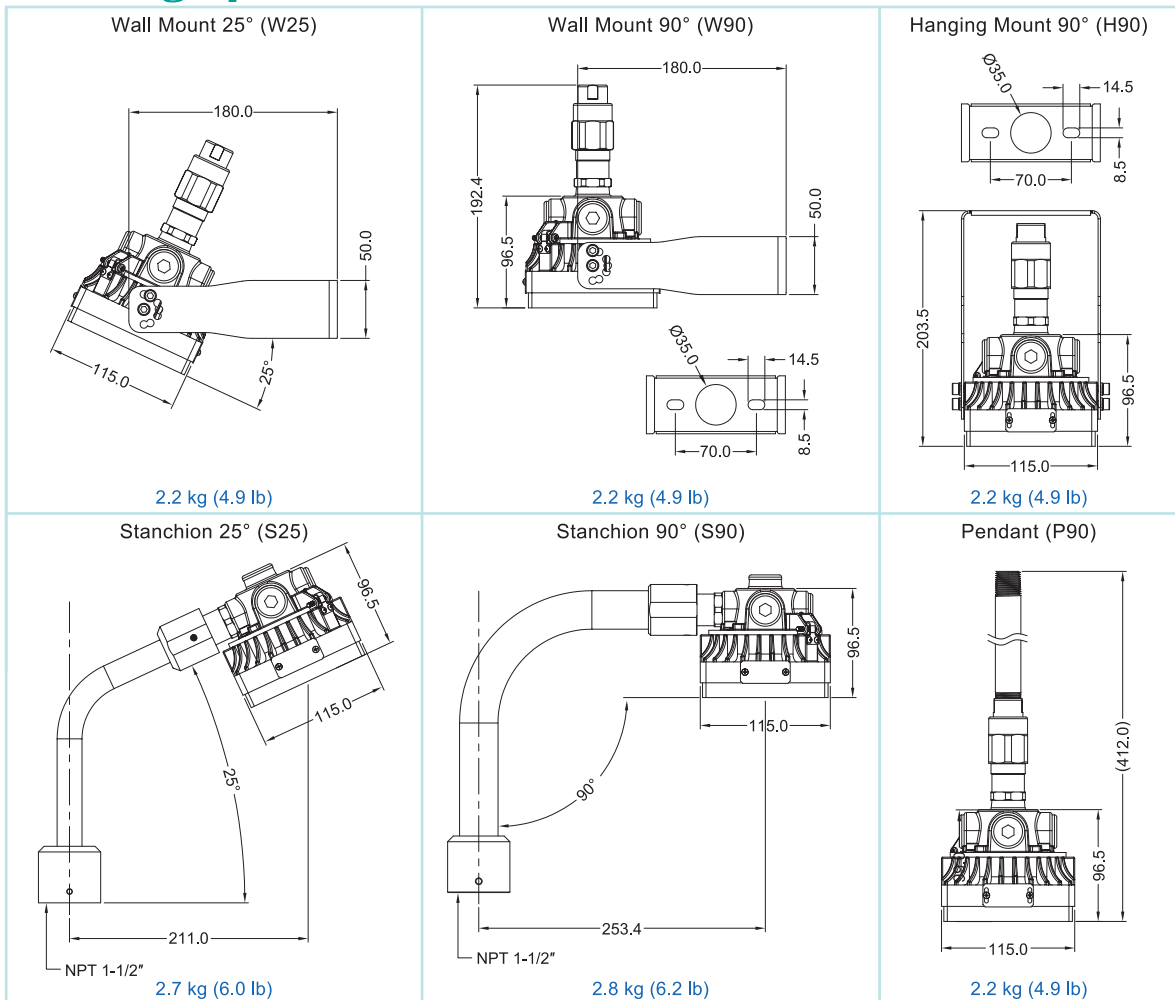
Luminous Intensity Distribution Diagram



## Model Code



## Mounting Option & Dimensions (All in mm)



### Applicable Area

- Oil Refinery Complex
- Petrochemical Complex
- Painting Facility
- Transporting Nature Gas
- Transporting Liquefied Petroleum Gas
- Offshore Platform (Oil and Natural Gas)