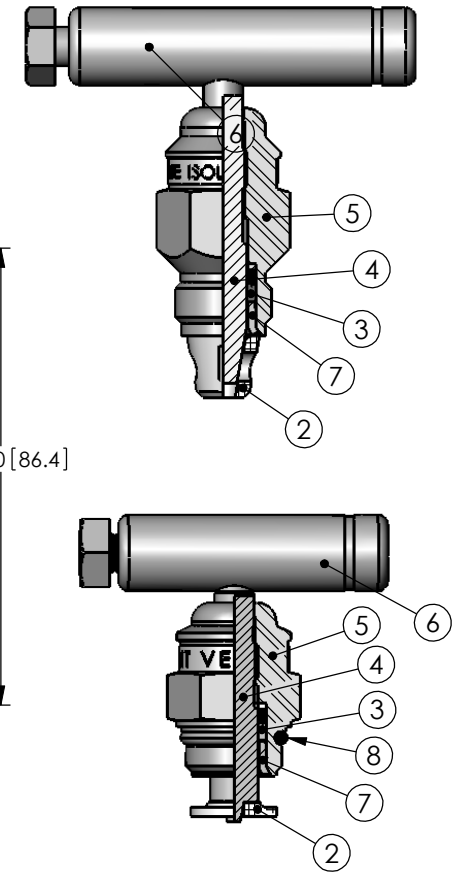
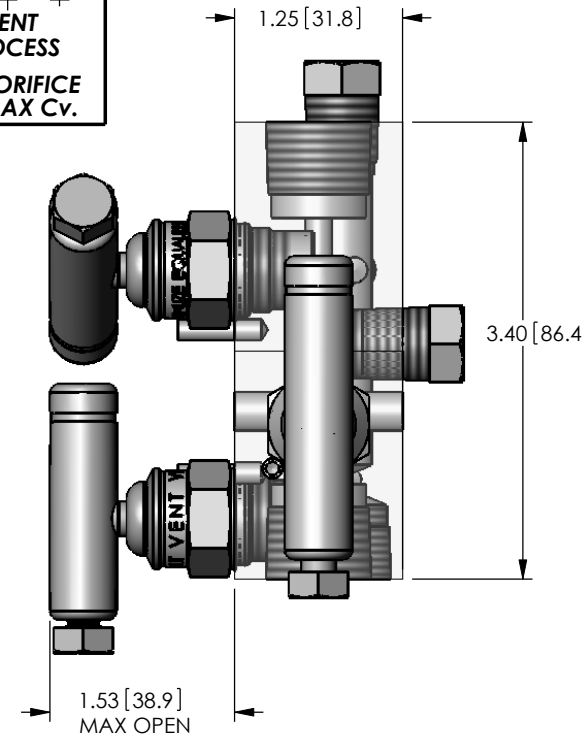
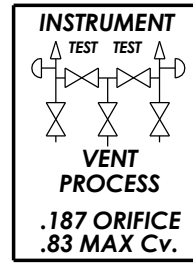
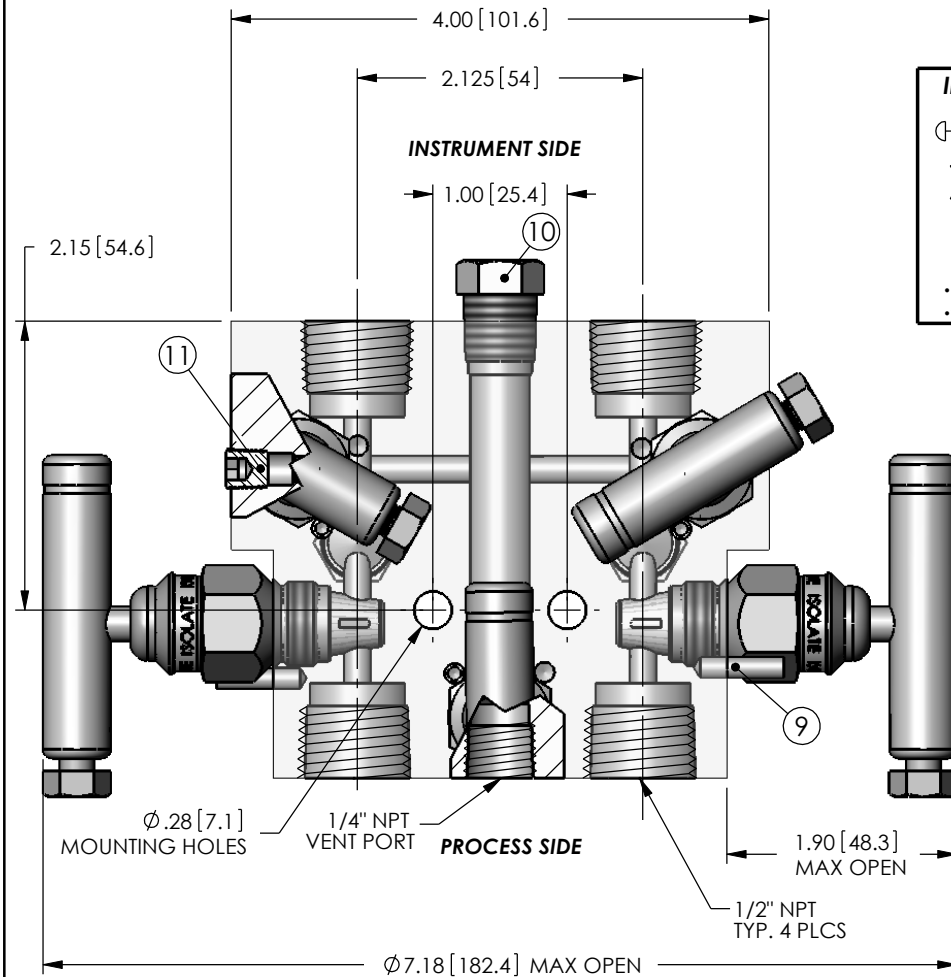


REVISIONS		
REV.	DATE	CO#
1	10/22/2007	27863



PRODUCT PART NUMBER		M-575SDJ	
NO.	DESCRIPTION	6,000 PSI @ 200 °F	QTY.
1	MANIFOLD BODY	(S) ASTM A479-316	1
2	SOFT SEAT	(D) DELRIN	5
3	STEM SEAL	(J) TPC w/FLRSLCN O-RING	5
4	STEM	ASTM A479-316	5
5	BONNET	ASTM A479-316	5
6	HANDLE ASSEMBLY	ASTM A582-18-8	5
7	SEAL RETAINER	ASTM A479-316	5
8	O-RING	VITON	3
9	ROLL PIN	300 SERIES SS	5
10	1/4" NPT HEX HD. PLUG	ASTM A182-F316	3
11	1/16" SOCKET HD. PLUG	<AZ>ASTM A182-F316	1

NOTES

1. DIMENSIONS IN [] ARE IN MILLIMETERS.
2. APPROX. WEIGHT X.X lbs. (X.X kg.)
3. <AZ> INDICATES ALKALINE ZINC PLATED WITH DICHROMATE DIP.
4. <PO> INDICATES PHOSPHATE AND OIL.
5. <P0> AISI 1018 C.S. IS USED WHEN WELDED BODY CONNECTION ARE SPECIFIED.
6. 316 SS MANIFOLD/VALVE MEETS REQUIREMENTS OF NACE MR0175 (LATEST REV.) UP TO 140 °F

PGI RESERVES THE RIGHT TO CHANGE THE DESIGN, DIMENSIONS OR MATERIAL CONTENT OF OUR PRODUCTS WITHOUT PRIOR NOTIFICATION.

PGI International

16101 VALLEN DRIVE
HOUSTON, TX. 77041

(713) 466-0056 or 1-800-231-0233
FAX: (713) 744-9892

WIDE PATTERN 5 VALVE MANIFOLD

APP'D

DRAWING NO. & REVISION

SCALE

NONE

M-575SDJ r01

PGI EXTERNAL DOCUMENT

GENERAL PRODUCT DESCRIPTION