

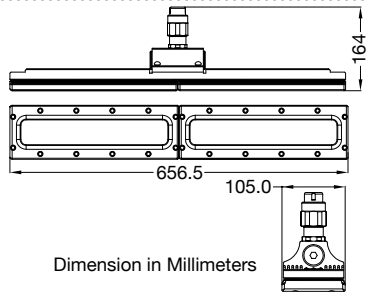
40W

Net Weight: 7.4 kg



Petrochemical factory

Certifications:



Dimension in Millimeters

Applicable Location

- Zone 1
- Zone 2
- Zone 21
- Zone 22
- Class I, Division 1, Group B, C, D
- Class II, Division 2, Groups F and G

Environmental Ratings

- NEMA 6/6P
- IP 67/68

Electrical Ratings

Voltage	110V / 120V / 220V / 277V
Frequency	50Hz / 60Hz
Wattage (Amps)	40W (0.14A ~ 0.36A) / 60W (0.22A ~ 0.55A)
Operating Temperature	-20°C ~ +55°C
Power Factor	> 0.95

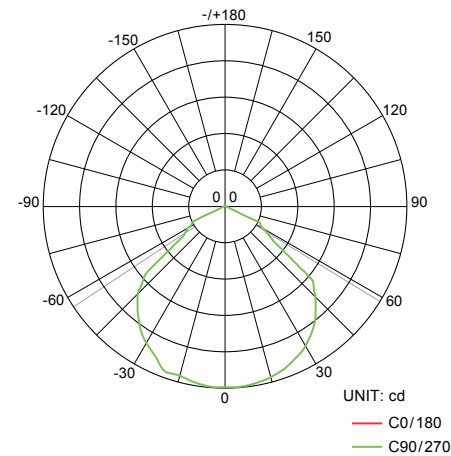
Raw Materials

Housing	Aluminum Alloy
Screws	Stainless Steel
Tempered Glass	IEC Standards impact-resistant > 4 Joule

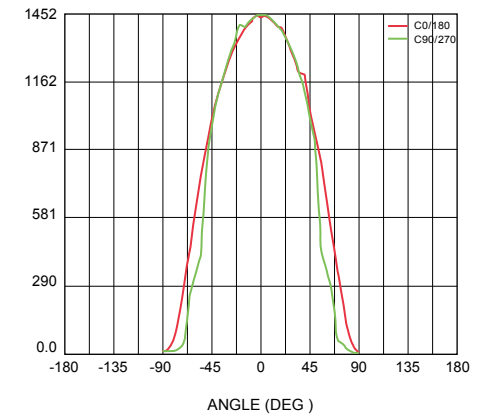
In accordance with special application requirement, THT-EX is able to offer higher specifications on Explosion-proof LED lighting devices, includes

- Lighting can be started at low temperature -65°C
- IP rating IP68
- Salt water spray test 72 hours ~ 1000 hours

Polar Luminous Intensity Distribution



Luminous Intensity Distribution Diagram



Optical Information

CCT	3000K ± 10% (Warm White) 5000K ± 10% (Cool White)
CRI	> 80 (Warm White) > 70 (Cool White)
Lum / Watt.	≧ 90 (Warm White) ≧ 100 (Cool White)
Beam Angle	≧ 110° (Warm White) ≧ 110° (Cool White)
IES Files	Available upon request

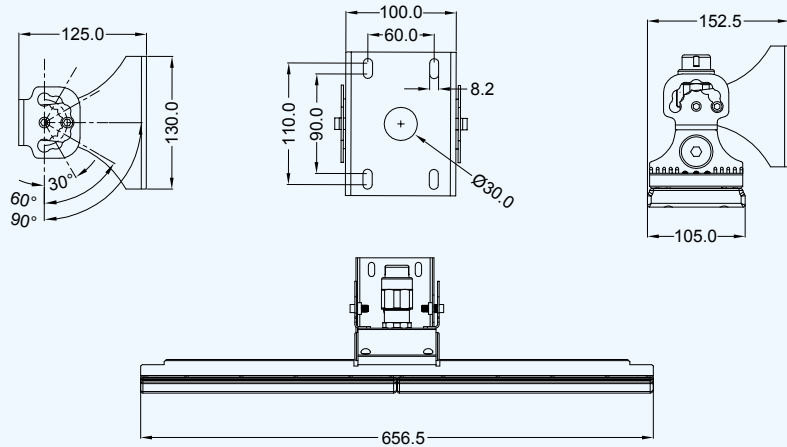
Applicable Area

- Oil Refinery Complex
- Petrochemical Complex
- Painting Facility
- Transporting Natural Gas
- Transporting Liquefied Petroleum Gas
- Offshore Platform (Oil and Natural Gas)

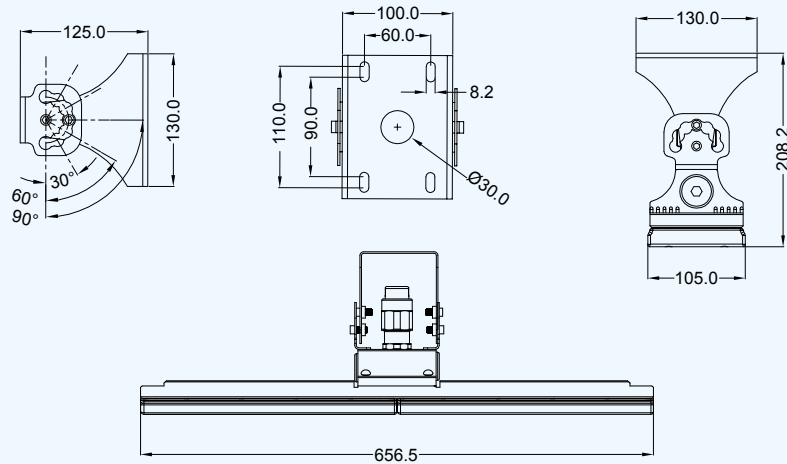
● Standard Product

Dimensions and Mounting (Mounting Code)

Wall Mount 90° (W90)



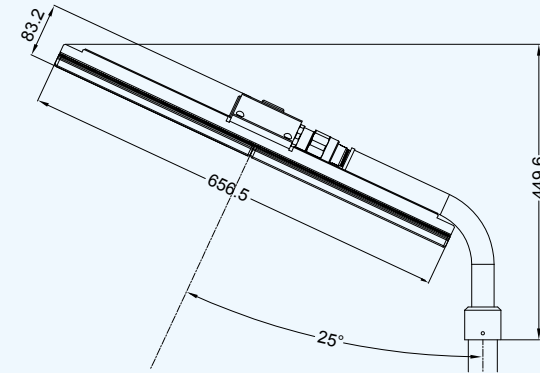
Hanging Mount 90° (H90)
[Pendant Mount]



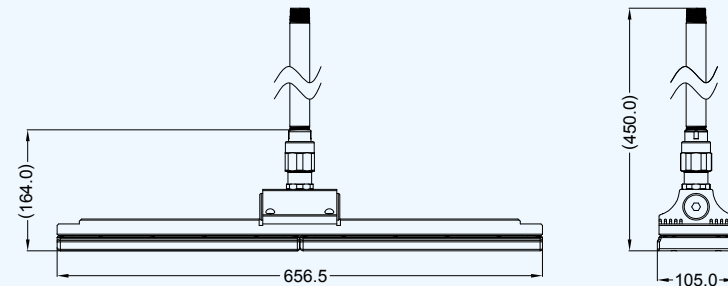
● Standard Product

Dimensions and Mounting (Mounting Code)

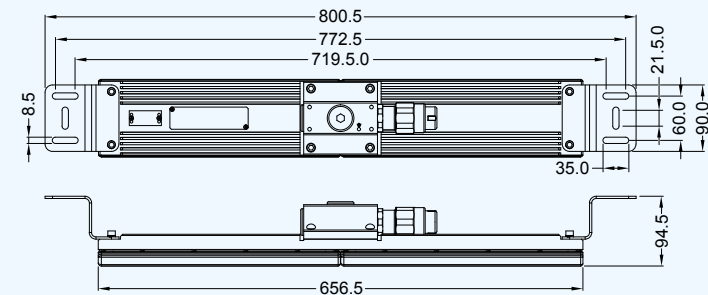
Stanchion 25° (S25)
[Bending Electrical Tube]



Straight Electrical Tube (P90)








Ceiling (C90)



► Please refer to Page 93 for part number

Part Number

• W.W.: 3000K±10% • C.W.: 5000K±10%

Model No.	Certifications	Watt.	Volt.	Color	Part Number
L1319	 • NFPA (UL844) Class I, Division 1, Group B, C, D Class II, Division 2, Groups F and G • UL1598	40W	120V	Class I, Div. 1 (UL844) W.W.	THTE1319ZCHW6D0
				C.W.	THTE1319ZCHC6D0
			277V	Class I, Div. 1 (UL844) W.W.	THTE1319ZCHW9D0
				C.W.	THTE1319ZCHC9D0
	 Ex db IIC T6 Gb Ex tb IIIC T85°C Db  II 2 G Ex db IIC T6 Gb II 2 D Ex tb IIIC T85°C Db	40W	110V	W.W.	THTE1319ZCHW1D0
			220V	W.W.	THTE1319ZCHW2D0
			110V	C.W.	THTE1319ZCHC1D0
			220V	C.W.	THTE1319ZCHC2D0
	 Ex d IIC T6 Gb Ex tb IIIC T85°C Db	40W 60W	110V	W.W.	THTE1319ZCHW***
			220V 277V	C.W.	THTE1319ZCHC***
L1239	 Ex d IIC T5 Ex tD A21 T135°C IP67 X	10W	24V	W.W.	THT-2LA10Wd53W1239
			110V	W.W.	THT-2LA10Wd51W1239
			220V	W.W.	THT-2LA10Wd52W1239
			24V	C.W.	THT-2LA10Wd53C1239
			110V	C.W.	THT-2LA10Wd51C1239
			220V	C.W.	THT-2LA10Wd52C1239
		20W	24V	W.W.	THT-2LA20Wd53W1239
			110V	W.W.	THT-2LA20Wd51W1239
			220V	W.W.	THT-2LA20Wd52W1239
			24V	C.W.	THT-2LA20Wd53C1239
110V	C.W.	THT-2LA20Wd51C1239			
220V	C.W.	THT-2LA20Wd52C1239			

Ordering information: Part number + mounting code

* — 1:110V 2:220V 9:277V
 ** — D0:40W F0:60W