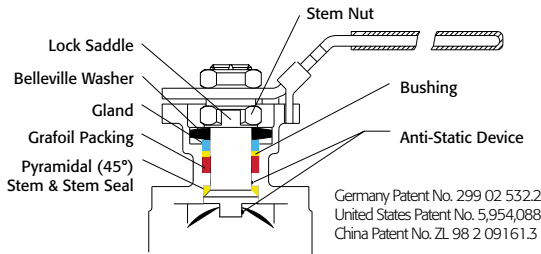


**API 607 - 6th Edition
CERTIFIED**



Triac F8R Series Firesafe 3-piece ball valves are the finest quality 3-piece valves on the market. The high quality investment castings feature a fully machined bore. The superior live-loaded packing system is accomplished with Belleville washers, Grafoil packing and a unique primary pyramidal stem seal. This advanced sealing system provides protection against stem leaks experienced by ordinary ball valves.



| VALVE SIZE | VALVE Cv |
|------------|----------|
| 1/4" | 7 |
| 3/8" | 8 |
| 1/2" | 9 |
| 3/4" | 15 |
| 1" | 42 |
| 1-1/4" | 45 |
| 1-1/2" | 125 |
| 2" | 165 |
| 2-1/2" | 245 |

RTFE seats are standard, but various options are available for seat materials. The 50/50 STFE seat option is excellent for services that call for higher temperatures and more difficult applications including steam. Call us for details.

Easy to Automate!

See automated data sheets for pre-sized assemblies



Pneumatic



Electric

TRIA®
CONTROLS

Series F8R

FIRESAFE

3-Piece Design

Sizes 1/4" - 2-1/2"

Regular Port Design

1500/2000 psi WOG (by size)

316SST or WCB

Threaded, Socket Weld, or Butt Weld Ends

Superior Live Loaded Packing System

ISO 5211 Actuator Mounting Pad

Blowout Proof Stem w/ Dual Anti-Static Devices

RTFE Seats Standard

Pyramidal Stem Seal Design

Lockable Manual Handle

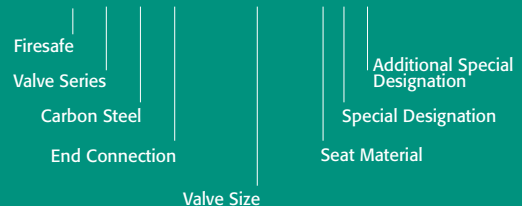
STANDARDS

| | |
|---------------------------|------------------------------|
| DESIGN | ANSI/ASME B16.34 |
| END CONNECTIONS | ASME B16.25, B1.20.1, B16.11 |
| PRESSURE TESTING | API 598 |
| SULFIDE STRESS PROTECTION | NACE MR01 75 |
| FIRE TESTING | API 607-6th Edition |
| MOUNTING | ISO 5211 |
| MARKING SYSTEM FOR VALVES | MSS SP-25, ISO 5209 |
| MATERIAL CERTIFICATION | EN 10204-3.1 MTR |
| QUALITY ASSURANCE | ISO 9001:2008 |

HOW TO ORDER MANUAL VALVES

SAMPLE PART #

F8RC-TH-0200-XXX



See part number matrix for itemized options

SERIES F8R
3-Piece

Firesafe

A-T Controls, Inc.

9955 International Blvd.
Cincinnati, Ohio 45246
www.atcontrols.com

PHONE (513) 247-5465
FAX (513) 247-5462
sales@atcontrols.com

Series F8R

High Performance, Regular Port 3-Piece Ball Valve ISO 5211 Mounting Pad

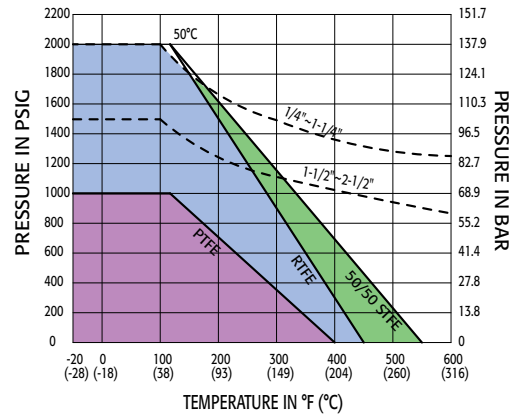
1500 & 2000 psi WOG by size
1/4" to 2-1/2"

API 607 - 6th Edition
CERTIFIED

| Break Away Torque for RTFE Seats | |
|-------------------------------------|-----|
| 1/4" | 60 |
| 3/8" | 60 |
| 1/2" | 70 |
| 3/4" | 90 |
| 1" | 130 |
| 1-1/4" | 210 |
| 1-1/2" | 275 |
| 2" | 400 |
| 2-1/2" | 550 |

NOTE: For other seat material, consult factory

Pressure vs. Temperature Chart

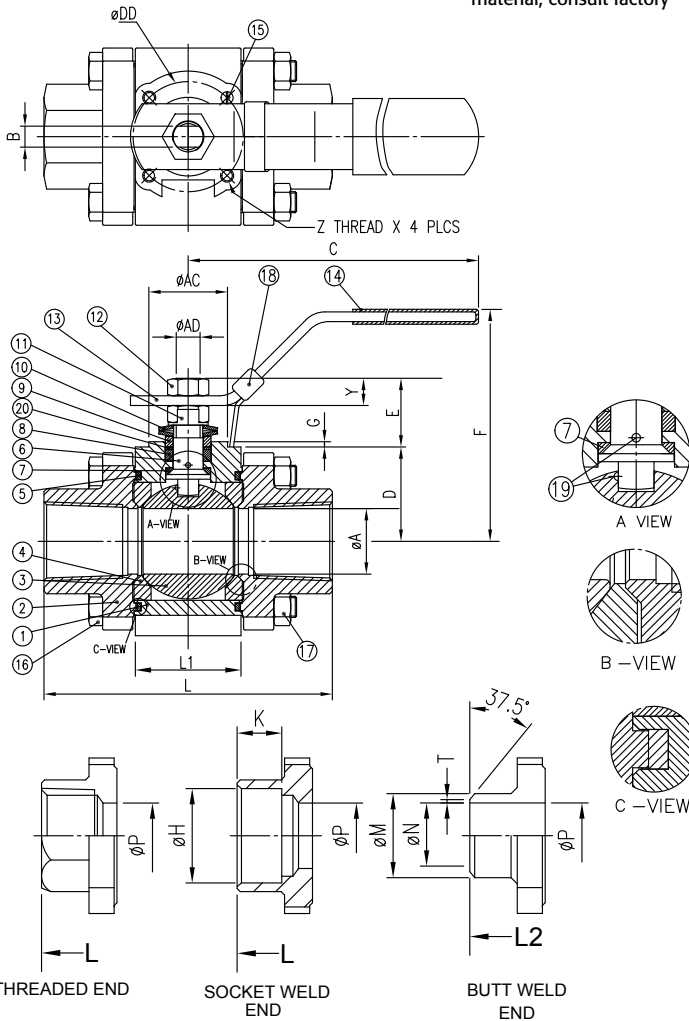


NOTE: Dotted line shows the rating for valve body. Solid line shows the rating for valve seat. Both ratings need to be considered when determining the limitation of the valve for specific application. Consult factory for other seat materials.

MATERIALS LIST

| NO. | PART NAME | QTY | STAINLESS STEEL | CARBON STEEL |
|-----|--------------------|-----|---------------------------------------|---------------------------------------|
| 1 | BODY | 1 | ASTM A351 GRADE CF8M | ASTM A216 GRADE WCB |
| 2 | TH END CAP | 2 | ASTM A351 GRADE CF8M | ASTM A216 GRADE WCB |
| 2 | SW/BW END CAP | 2 | ASTM A351 GRADE CF3M | ASTM A216 GRADE WCB |
| 3 | BALL | 1 | 1/4" THRU 3/8" ASTM A276 SS 316 | 1/4" THRU 3/8" ASTM A276 SS 316 |
| 3 | BALL | 1 | 1/2" THRU 2-1/2" ASTM A351 GRADE CF8M | 1/2" THRU 2-1/2" ASTM A351 GRADE CF8M |
| 4 | SEAT | 2 | RTFE | RTFE |
| 5 | JOINT GASKET | 2 | GRAFOIL | GRAFOIL |
| 6 | STEM | 1 | ASTM A276 SS 316 | ASTM A276 SS 316 |
| 7 | STEM SEAL | 1 | RTFE | RTFE |
| 8 | STEM PACKING | 1 | GRAFOIL | GRAFOIL |
| 9 | GLAND BUSHING | 1 | AISI 304 | AISI 304 |
| 10 | BELLEVILLE WASHER | 2 | AISI 301 | AISI 301 |
| 11 | LOCK SADDLE | 1 | AISI 304 | AISI 304 |
| 12 | STEM NUT | 2 | AISI 304 | AISI 304 |
| 13 | HANDLE | 1 | AISI 304 | AISI 304 |
| 14 | HANDLE SLEEVE | 1 | VINYL | VINYL |
| 15 | STOP BOLT | 1 | AISI 304 | AISI 304 |
| 16 | BODY BOLT | * | ASTM A193 GRADE B8M | ASTM A193 GRADE B7M |
| 17 | BOLT NUT | * | ASTM A194 GRADE 8M | ASTM A194 GRADE 2HM |
| 18 | HANDLE LOCK | 1 | AISI 304 | AISI 304 |
| 19 | ANTI-STATIC DEVICE | 2 | AISI 316 | AISI 316 |
| 20 | GLAND WASHER | 1 | RTFE | RTFE |

*1/4" THRU 2" - 4 PCS.
* 2-1/2" - 6 PCS.



DIMENSIONS (IN)

| SIZE | A | AC | AD | B | C | D | DD | E | F | G | H | K | L | L1 | L2 | M | N | P | T | Y | Z | ISO 5211 | LBS |
|--------|------|------|------|-------|------|------|-------|------|------|------|------|------|------|------|------|------|------|------|------|------|----|----------|------|
| 1/4" | 0.39 | 0.98 | 0.37 | 0.256 | 5.28 | 1.17 | 1.417 | 0.29 | 2.53 | 0.02 | 0.56 | 0.39 | 2.55 | 0.81 | 2.55 | 0.54 | 0.36 | 0.39 | 0.06 | 0.24 | M5 | F03 | 1.5 |
| 3/8" | 0.39 | 0.98 | 0.37 | 0.256 | 5.28 | 1.17 | 1.417 | 0.29 | 2.53 | 0.02 | 0.69 | 0.39 | 2.55 | 0.81 | 2.55 | 0.69 | 0.49 | 0.39 | 0.06 | 0.24 | M5 | F03 | 1.5 |
| 1/2" | 0.39 | 0.98 | 0.37 | 0.256 | 5.28 | 1.17 | 1.417 | 0.29 | 2.53 | 0.02 | 0.86 | 0.39 | 2.55 | 0.81 | 2.55 | 0.85 | 0.62 | 0.39 | 0.06 | 0.24 | M5 | F03 | 1.5 |
| 3/4" | 0.59 | 0.98 | 0.37 | 0.256 | 5.28 | 1.14 | 1.417 | 0.63 | 2.81 | 0.08 | 1.07 | 0.51 | 2.85 | 0.96 | 2.94 | 1.07 | 0.83 | 0.59 | 0.06 | 0.29 | M5 | F03 | 1.9 |
| 1" | 0.79 | 0.98 | 0.37 | 0.256 | 5.28 | 1.30 | 1.417 | 0.71 | 2.99 | 0.08 | 1.33 | 0.51 | 3.36 | 1.24 | 3.54 | 1.34 | 1.05 | 0.79 | 0.06 | 0.35 | M5 | F03 | 3.2 |
| 1-1/4" | 0.98 | 1.18 | 0.44 | 0.315 | 6.69 | 1.42 | 1.654 | 0.97 | 3.24 | 0.08 | 1.69 | 0.51 | 4.15 | 1.63 | 4.31 | 1.68 | 1.38 | 0.98 | 0.06 | 0.43 | M5 | F04 | 4.0 |
| 1-1/2" | 1.26 | 1.18 | 0.44 | 0.315 | 6.69 | 1.57 | 1.654 | 0.96 | 3.44 | 0.08 | 1.93 | 0.51 | 4.37 | 1.91 | 4.5 | 1.91 | 1.61 | 1.26 | 0.06 | 0.38 | M5 | F04 | 5.7 |
| 2" | 1.50 | 1.38 | 0.56 | 0.382 | 8.15 | 1.86 | 1.969 | 1.19 | 4.08 | 0.09 | 2.41 | 0.63 | 5.01 | 2.22 | 5.12 | 2.38 | 2.07 | 1.50 | 0.06 | 0.48 | M6 | F05 | 8.1 |
| 2-1/2" | 1.97 | 1.38 | 0.56 | 0.382 | 8.15 | 2.74 | 1.969 | 1.02 | 4.79 | 0.06 | 2.91 | 0.63 | 5.71 | 2.81 | 5.71 | 3.00 | 2.59 | 1.97 | 0.08 | 0.50 | M6 | F05 | 12.0 |