

3300

INSERTABLE STRAIN SENSOR -INSERTGAGE®

Insertable extensometer designed to deduct the force in a structure by measuring its deformation.

Model 3300



Features

- Designed to measure:
 - o tension, compression shear and bending force
 - o torque, moment
- One unique model independent of the capacity range
- Stainless steel
- Protection IP 67
- Very competitive prices
- Easy to install (one hole to drill)
- Accuracy in the structure : 2 to 5 %
- Cable length : 0.75 or 5 m
- Option:
 - o ATEX intrinsic safety Ex II 1GD Ex ia IIC T6 or T4 Ga Ex ia IIIC T80 C Da

Applications

The SENSY's insertable strain sensor 3300 is perfectly designed to the following applications :

- Silos, hoppers, tanks, reactors or containers weighing
- Level measurement
- Stress measurement on machines
- Force distribution control
- Rail weighing
- Set point detection

Capacities

3300 : 40 to 120 N/mm

Specifications	2 - 5%	
Reference temperature	23	C
Nominal temperature range	-10...+45	C
Service temperature range	-30...+70	C
Storage temperature range	-50...+85	C
Insulation resistance (50V)	> 5000	Megaohm
Reference excitation voltage	10	VDC
Nominal range of excitation voltage	3..12	VDC
Input resistance	702 ± 2	Ohm
Output resistance	702 ± 2	Ohm

F.S.: full scale - Specifications subject to change without notice

LOAD CELL

model 3300 stainless steel

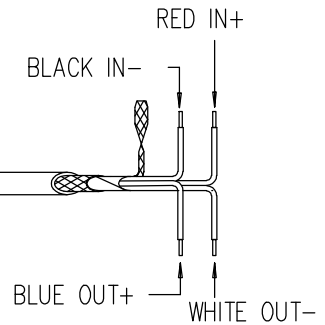
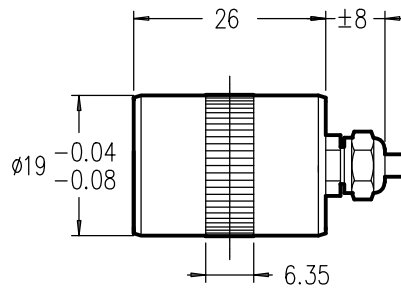
INSERT-GAGE

IP67

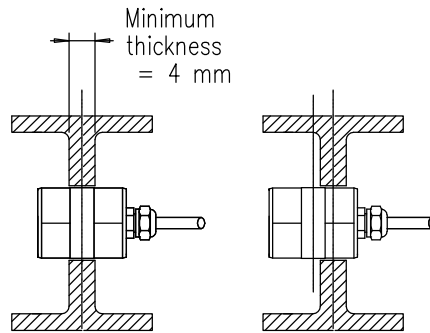
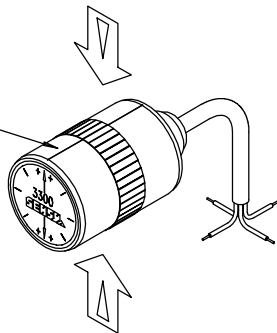
Cable length : 0.75 or 5 m



KNURL $\varnothing 19$ $+0.22$
 $+0.19$



Marking lines
(2x at 180°)
Maximum Sensitivity when force applied on lines

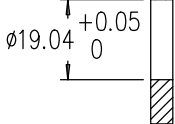


Minimum thickness = 4 mm

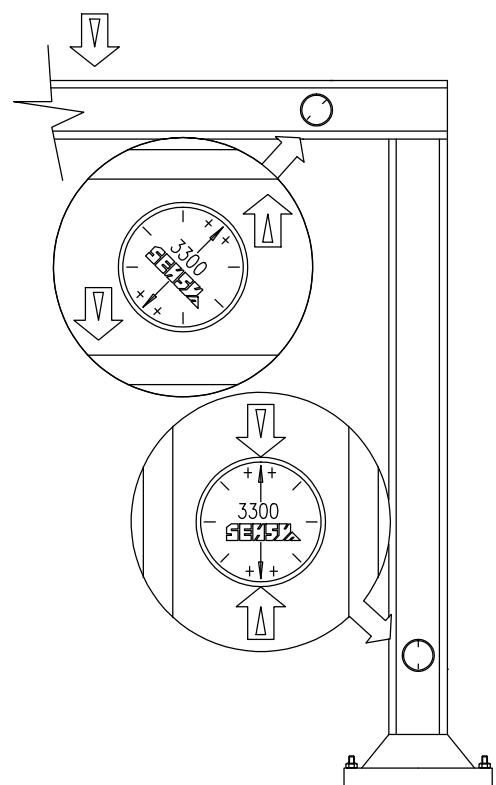
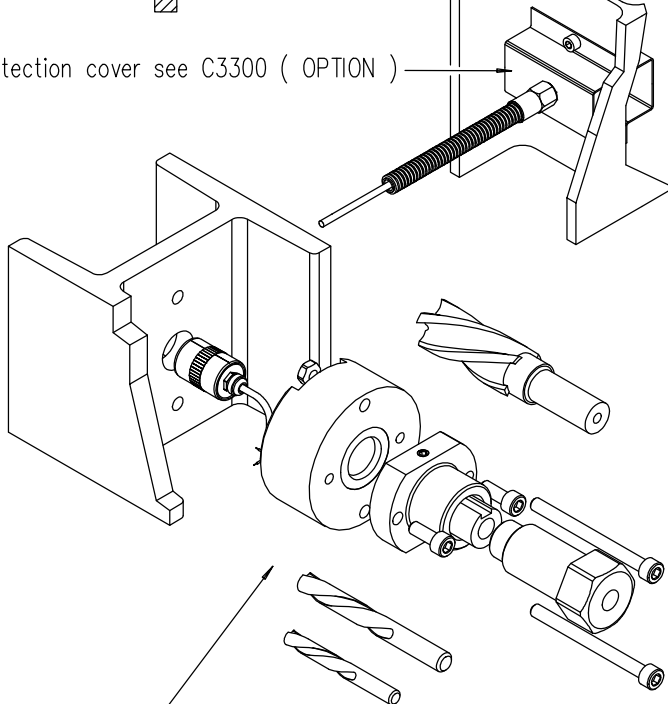
CORRECT MOUNTING

NOT CORRECT

\varnothing Mounting hole



Protection cover see C3300 (OPTION)



-See mounting documentation and tools (On request)

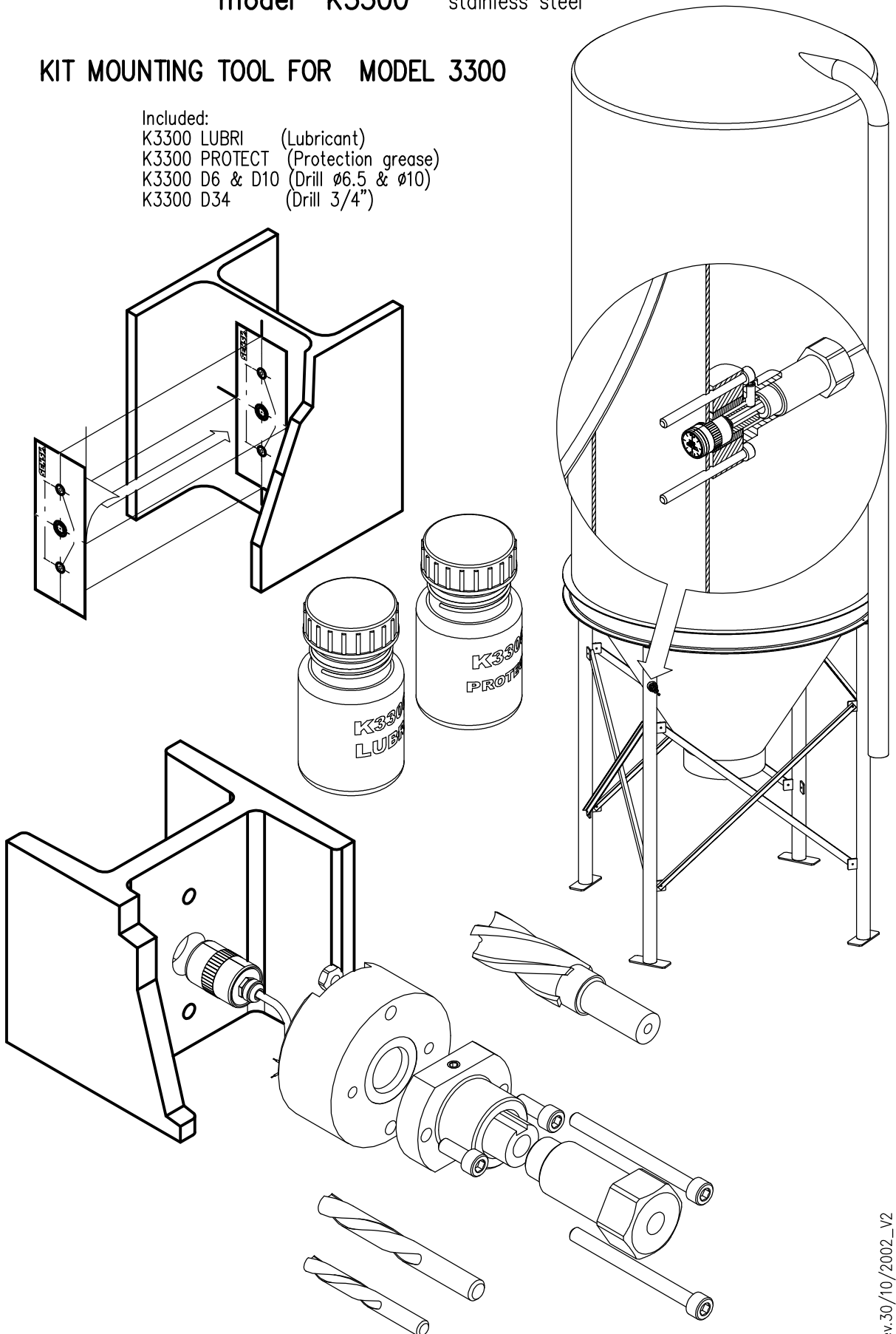


ACCESSORIES

model K3300 stainless steel

KIT MOUNTING TOOL FOR MODEL 3300

Included:
K3300 LUBRI (Lubricant)
K3300 PROTECT (Protection grease)
K3300 D6 & D10 (Drill $\varnothing 6.5$ & $\varnothing 10$)
K3300 D34 (Drill 3/4")





www.sensy.com

ACCESSORIES

model C3300 stainless steel

PROTECTION COVERS FOR MODEL 3300

