

VALVE SIZE	VALVE CV
1/2"	15
3/4"	45
1"	85
1-1/2"	275
2"	450
2-1/2"	700
3"	1100
4"	2200
6"	5150

Reinforced RTFE seats are standard, but various options are available for seat materials. The 50/50 seat option is excellent for services that call for higher temperatures and more difficult applications, including steam. Call us for details.

Easy to Automate!

See automated data sheets for pre-sized assemblies



Electric



Pneumatic

TRIAC[®]
CONTROLS

Series FD9 Direct Mount Split Body Flanged Ball Valve

Firesafe 

Sizes 1/2" – 6"

Available in 316SST or WCB

150#ANSI

Full Port Design

Superior Live Loaded Packing System

ISO5211 Actuator Mounting Pad

Anti-Static Device

Each Valve Traceable**

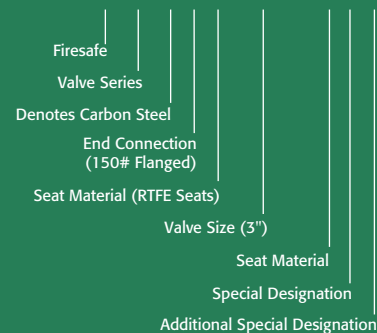
STANDARDS

Design	ANSI B16.34
Face to Face	ANSI B16.10
Flange Dimensions	ANSI B16.5
Pipeline Valve	API 6D
Pressure Testing	API 598
Fire Testing	API 607 4th Edition, BS 5351
Mounting Pad	ISO 5211
Marking System for Valves	MSS SP-25
Material Certification	EN 10204
Quality Assurance	ISO 9001

HOW TO ORDER MANUAL VALVES

SAMPLE PART #

FD9C-F1-0300-XXX



See part number matrix for itemized options

**MTRs available - call for details

AT A-T Controls, Inc.

Triac Division
11363 Deerfield Rd.
Cincinnati, Ohio 45242

PHONE (513) 247-5465
FAX (513) 247-5462
e-mail: sales@a-tcontrols.com
www.a-tcontrols.com

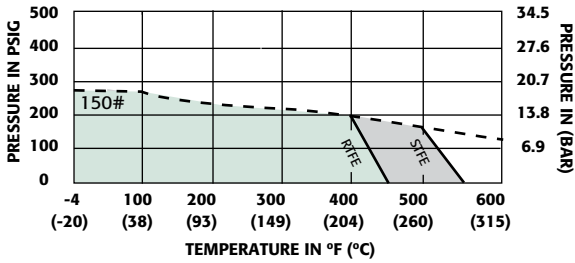
Series FD9

High Performance, Full Port Split Body Ball Valve Series FD9 (ANSI Class 150)

API 607 - 4th Edition
CERTIFIED

"Firesafe"

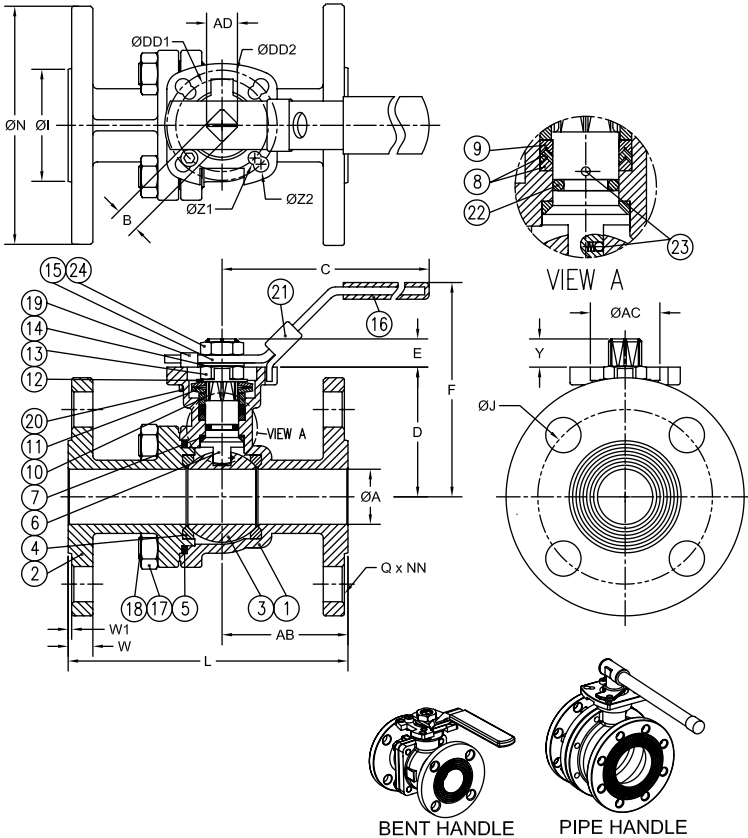
Pressure vs. Temperature Chart



Consult factory for other seat material.

BREAKAWAY TORQUES RTFE SEATS	
SIZE	IN-LBS.
1/2"	110
3/4"	140
1"	175
1-1/2"	400
2"	450
2-1/2"	620
3"	1000
4"	1600
6"	2700

NOTE: For other seat material, consult factory



MATERIALS LIST

NO.	PART NAME	QTY.	MATERIAL	
			Stainless Steel	Carbon Steel
1	Body	1	CF8M	WCB
2	End Cap	1	CF8M	WCB
3	Ball	1	SS316	SS316
4	Seat	2	RTFE	RTFE
5	Joint Gasket	1	Graphite	Graphite
6	Stem	1	SS316	SS316
7	Stem Seal	1	RTFE	RTFE
8	Gland Packing &		Graphite	Graphite
9	Gland Packing	1	RTFE	RTFE
10	Gland Bush	1	SS304	SS304
11	Belleville Washer	2	SS301	SS301
12	Stop Washer	1	SS304	SS304
13	Stem Nut	2	SS304	SS304
14	Stem Washer	1	SS304	SS304
15	Handle	1	SS304	SS304
16	Handle Sleeve	1	Vinyl	Vinyl
17	Bolt Nut	*	SS304	SS304
18	Bolt	*	SS304	SS304
19	Stop Pin	1	SS304	SS304
20	Pin Nut	1	SS304	SS304
21	Locking Device	1	SS304	SS304
22	O-Ring	1	Viton®	Viton®
23	Anti-Static Device	@	SS304	SS304
24	Handle Nut	1	SS304	SS304

& For 1/2" - 1", Qty.=2
 & For 1/2" - 6", Qty.=3
 * For 1/2" - 2", 4 pcs. of studs and nuts
 * For 2-1/2" - 6", 8 pcs. of studs and nuts
 @ For 1/2", 1 pc., 1-1/2" - 6", 2 pcs.

DIMENSIONS (IN)

SIZE	A	B	C	D	E	F	I	J	L	N	Q	W	W1	Z1	Z2	AB	AC	AD	DD1	DD2	NN	ISO5211	(LBS)
1/2"	0.59	0.433	6.50	1.84	0.39	3.30	1.38	2.38	4.26	3.50	0.63	0.44	0.06	0.26	0.28	1.84	1.26	0.55	1.654	1.969	4	F04/F05	4.0
3/4"	0.79	0.433	6.50	2.02	0.39	3.45	1.69	2.74	4.62	3.88	0.63	0.44	0.06	0.26	0.28	2.18	1.26	0.55	1.654	1.969	4	F04/F05	5.0
1"	0.98	0.433	6.50	2.31	0.41	3.81	2.00	3.12	5.00	4.25	0.63	0.44	0.06	0.26	0.28	2.21	1.26	0.55	1.654	1.969	4	F04/F05	7.0
1-1/2"	1.50	0.748	10.32	3.51	0.75	5.60	2.88	3.88	6.50	5.00	0.63	0.56	0.06	0.39	0.47	2.83	2.09	0.94	2.756	4.016	4	F07/F10	14.5
2"	1.97	0.748	10.32	3.80	0.75	5.78	3.62	4.75	7.02	6.00	0.75	0.63	0.06	0.39	0.47	3.38	2.09	0.94	2.756	4.016	4	F07/F10	20.5
2-1/2"	2.56	0.748	10.32	4.57	0.75	6.75	4.12	5.50	7.48	7.00	0.75	0.69	0.06	0.39	0.47	3.06	2.09	0.94	2.756	4.016	4	F07/F10	31.0
3"	3.15	0.866	14.37	5.22	0.91	8.05	5.00	6.00	8.01	7.50	0.75	0.75	0.06	0.47	0.55	4.01	2.55	1.18	4.016	4.921	4	F10/F12	41.0
4"	3.94	0.866	14.37	6.18	0.91	9.00	6.19	7.50	9.00	9.00	0.75	0.94	0.06	0.47	0.55	4.07	2.55	1.18	4.016	4.921	8	F10/F12	67.5
6"	5.91	1.063	29.53	8.28	1.12	12.50	8.50	9.50	15.5	11.00	0.87	1.00	0.06	0.55	0.71	7.00	2.97	1.41	4.921	5.511	8	F12/F14	145.0

Viton® is a registered trademark of E.I. DuPont de Nemours.
 A-T Controls reserves the right to change product designs and technical/dimensional specifications without notice.

050111-FD9M

A-T Controls, Inc.

Triac Division
 11363 Deerfield Rd.
 Cincinnati, Ohio 45242

PHONE (513) 247-5465
 FAX (513) 247-5462
 e-mail: sales@a-tcontrols.com
 www.a-tcontrols.com