



Pneumatic Spring Return Automated Ball Valve Package

Series 30 3-Way Flanged Ball Valve

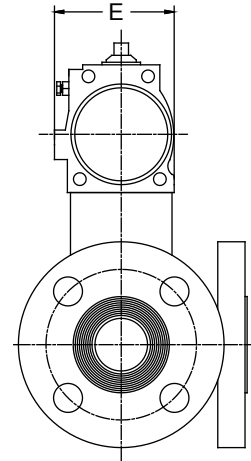
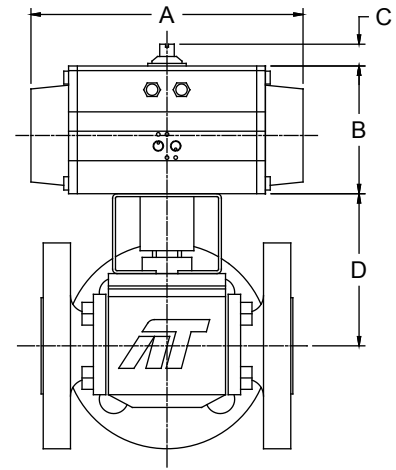
- Sizes 1-1/2" - 12"
- 316SST or WCB
- Full Port Design
- ANSI Class 150 and 300
- 1-pc Ball & Stem
- Blowout Proof Stem
- RTFE Seats Standard
- "L" or "T" Port Option
- Trunnion Ball Design
- Lockable Manual Handle
- For 8" and above, call factory

STANDARDS

Design	ANSI/ASME B16.34
Flanged Ends	ANSI/ASME B16.5
Face-to-Face	(per factory's standard)
Pressure Testing	API 598
Mounting	ISO 5211
Marking System for Valves	MSS SP-25
Material Certification	EN 10204-3.1 MTR
Quality Assurance	ISO 9001:2008



Flanged 3-Way



SERIES 30 3-Way

DIMENSIONS (IN)

VALVE SIZE	A	B	C	D	E
1-1/2"	13.9	6.18	0.79	5.04	6.04
2"	13.9	6.18	0.79	5.43	6.04
2-1/2"	20.95	8.31	1.18	7.78	7.64
3"	22.68	9.17	1.18	7.78	8.43
4"	24.37	10.12	1.18	8.90	9.29
6"	40.50	10.12	1.18	13.28	9.29
8"	CF	CF	CF	CF	CF
10"	CF	CF	CF	CF	CF
12"	CF	CF	CF	CF	CF

Valve Cv	
T-PORT STRAIGHT THRU	L & T-PORT 90°
198	50
430	120
670	158
1,170	275
2,070	422
5,000	788
8,800	1,828
13,500	3,159
20,130	4,626

DIMENSIONS SHOWN ARE FOR ASSEMBLIES SIZED FOR 80 PSI SUPPLY

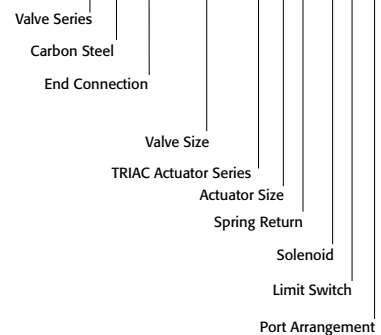
SIZED FOR 80 psi AIR SUPPLY	
SIZE	MODEL
1-1/2"	30-F1-150/2R6S-XX-T
2"	30-F1-200/2R6S-XX-T
2-1/2"	30-F1-250/2R8S-XX-T
3"	30-F1-300/2R9S-XX-T
4"	30-F1-400/2R0S-XX-T
6"	30-F1-600/2RBS-XX-T
8"	CF
10"	CF
12"	CF

SIZED FOR 60 psi AIR SUPPLY	
SIZE	MODEL
1-1/2"	30-F1-150/2R6S-XX-T
2"	30-F1-200/2R7S-XX-T
2-1/2"	30-F1-250/2R8S-XX-T
3"	30-F1-300/2R9S-XX-T
4"	30-F1-400/2RAS-XX-T
6"	*See below
8"	CF
10"	CF
12"	CF

* 6" @ 60 PSI air supply requires a S09SC280AF Heavy Duty actuator.

SAMPLE PART

30C-F1-150/2R3S-XX-T



OPTIONS

DESCRIPTION	PART NO. SUFFIX	DESCRIPTION	PART NO. SUFFIX
NEMA 4 Solenoid	(A)	NEMA 4 Limit Switch (2) spdt	(A)
NEMA 7 Solenoid	(B)	NEMA 7 Limit Switch (2) spdt	(B)
Intrinsically Safe Solenoid	(C)	Intrinsically Safe Limit Switch	(C)

Other options available - call for details. Actuators are sized based on clean/clear fluid. Specify flow pattern when ordering (see back). See part # matrix for complete model #



9955 International Blvd.
Cincinnati, Ohio 45246
www.atcontrols.com

PHONE (513) 247-5465
FAX (513) 247-5462
sales@atcontrols.com