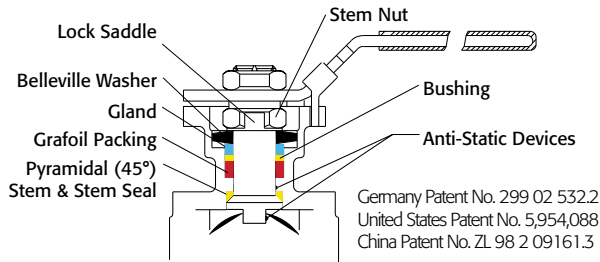


**API 607 - 6th Edition  
CERTIFIED**



Triac F83 Series Firesafe 3-piece ball valves are the finest quality 3-piece valves on the market. The high quality investment castings feature a fully machined bore. The superior live-loaded packing system is accomplished with Belleville washers, Grafoil packing and a unique primary pyramidal stem seal. This advanced sealing system provides protection against stem leaks experienced by ordinary ball valves.



VALVE SIZE	VALVE Cv
1/4"	7
3/8"	8
1/2"	15
3/4"	40
1"	70
1-1/4"	110
1-1/2"	250
2"	430

RTFE seats are standard, but various options are available for seat materials. The 50/50 STFE seat option is excellent for services that call for higher temperatures and more difficult applications including steam.

Call us for details.

## Easy to Automate!

See automated data sheets for pre-sized assemblies



Pneumatic



Electric

**TRIAC**  
CONTROLS

# Series F83

**FIRESAFE**

## 3-Piece Design

Sizes 1/4" - 2"

Full Port Design

1500/2000 psi WOG (by size)

316SST or WCB

Threaded, Socket Weld, or Butt Weld Ends

Superior Live Loaded Packing System

ISO 5211 Actuator Mounting Pad

Blowout Proof Stem w/ Dual Anti-Static Devices

RTFE Seats Standard

Pyramidal Stem Seal Design

Lockable Manual Handle

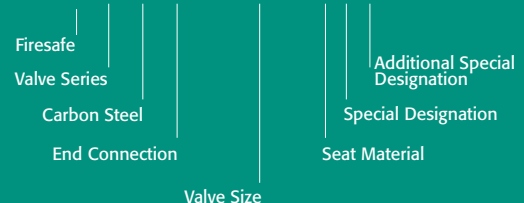
### STANDARDS

DESIGN	ANSI/ASME B16.34
END CONNECTIONS	ASME B16.25, B1.20.1, B16.11
PRESSURE TESTING	API 598
SULFIDE STRESS PROTECTION	NACE MR0175
FIRE TESTING	API 607-6th Edition
MOUNTING	ISO 5211
MARKING SYSTEM FOR VALVES	MSS SP-25, ISO 5209
MATERIAL CERTIFICATION	EN 10204-3.1 MTR
QUALITY ASSURANCE	ISO 9001:2008

### HOW TO ORDER MANUAL VALVES

SAMPLE PART #

**F83C-TH-0200-XXX**



See part number matrix for itemized options

**SERIES F83**  
3-Piece

**Firesafe**

# Series F83

## High Performance, Full Port 3-Piece Ball Valve ISO 5211 Mounting Pad

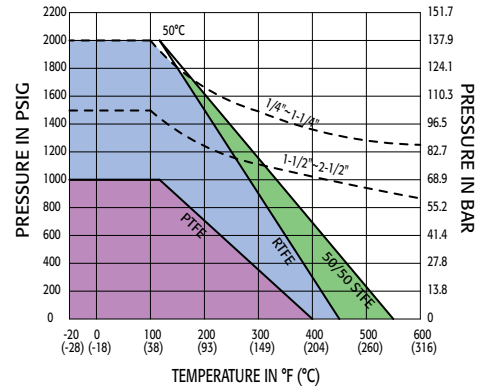
API 607 - 6th Edition  
CERTIFIED

1500 & 2000 psi WOG by size  
1/4" to 2"

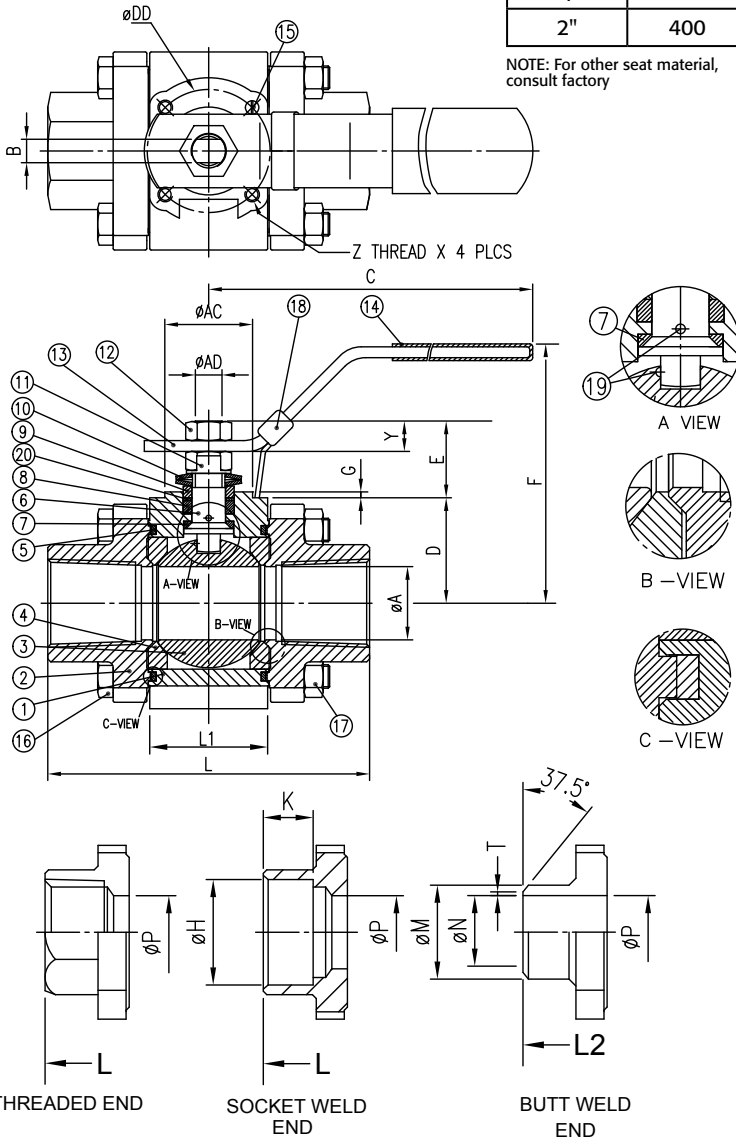
Break Away Torque for RTFE Seats	
1/4"	60
3/8"	60
1/2"	70
3/4"	90
1"	130
1-1/4"	210
1-1/2"	275
2"	400

NOTE: For other seat material, consult factory

Pressure vs. Temperature Chart



NOTE: Dotted line shows the rating for valve body. Solid line shows the rating for valve seat. Both ratings need to be considered when determining the limitation of the valve for specific application. Consult factory for other seat materials.



### DIMENSIONS (IN)

SIZE	A	AC	AD	B	C	D	DD	E	F	G	H	K	L	L1	L2	M	N	P	T	Y	Z	ISO 5211	LBS
1/4"	0.39	0.98	0.37	0.256	5.28	1.17	1.417	0.29	2.53	0.02	0.56	0.39	2.55	0.81	2.55	0.54	0.36	0.39	0.06	0.24	M5	F03	1.5
3/8"	0.39	0.98	0.37	0.256	5.28	1.17	1.417	0.29	2.53	0.02	0.69	0.39	2.55	0.81	2.55	0.69	0.49	0.39	0.06	0.24	M5	F03	1.5
1/2"	0.59	0.98	0.37	0.256	5.28	1.14	1.417	0.63	2.81	0.08	0.86	0.39	2.85	0.81	2.95	0.85	0.59	0.59	0.06	0.29	M5	F03	1.5
3/4"	0.79	0.98	0.37	0.256	5.28	1.30	1.417	0.71	2.99	0.08	1.07	0.51	3.36	0.96	3.54	1.07	0.79	0.79	0.06	0.35	M5	F03	1.9
1"	0.98	1.18	0.44	0.315	6.69	1.42	1.654	0.97	3.24	0.08	1.33	0.51	4.15	1.24	4.33	1.34	0.98	0.98	0.06	0.43	M5	F04	3.2
1-1/4"	1.26	1.18	0.44	0.315	6.69	1.57	1.654	0.96	3.44	0.08	1.69	0.51	4.37	1.63	4.53	1.68	1.26	1.26	0.06	0.38	M5	F04	4.0
1-1/2"	1.50	1.38	0.56	0.382	8.15	1.86	1.969	1.19	4.08	0.09	1.93	0.51	5.01	1.91	5.12	1.91	1.50	1.50	0.06	0.48	M6	F05	5.7
2"	1.97	1.38	0.56	0.382	8.15	2.74	1.969	1.02	4.79	0.06	2.41	0.63	5.62	2.22	5.12	2.38	1.97	1.97	0.06	0.5	M6	F05	8.1

\*1/4" THRU 2" - 4 PCS.  
\*2-1/2" - 6 PCS.

### MATERIALS LIST

NO.	PART NAME	QTY	STAINLESS STEEL	CARBON STEEL
1	BODY	1	ASTM A351 GRADE CF8M	ASTM A216 GRADE WCB
2	TH END CAP	2	ASTM A351 GRADE CF8M	ASTM A216 GRADE WCB
2	SW/BW END CAP	2	ASTM A351 GRADE CF3M	ASTM A216 GRADE WCB
3	BALL	1	1/4" THRU 3/8" ASTM A276 SS 316	1/4" THRU 3/8" ASTM A276 SS 316
3	BALL	1	1/2" THRU 2" ASTM A351 GRADE CF8M	1/2" THRU 2" ASTM A351 GRADE CF8M
4	SEAT	2	RTFE	RTFE
5	JOINT GASKET	2	GRAFOIL	GRAFOIL
6	STEM	1	ASTM A276 SS 316	ASTM A276 SS 316
7	STEM SEAL	1	RTFE	RTFE
8	STEM PACKING	1	GRAFOIL	GRAFOIL
9	GLAND BUSHING	1	AISI 304	AISI 304
10	BELLEVEILLE WASHER	2	AISI 301	AISI 301
11	LOCK SADDLE	1	AISI 304	AISI 304
12	STEM NUT	2	AISI 304	AISI 304
13	HANDLE	1	AISI 304	AISI 304
14	HANDLE SLEEVE	1	VINYL	VINYL
15	STOP BOLT	1	AISI 304	AISI 304
16	BODY BOLT	*	ASTM A193 GRADE B8	ASTM A193 GRADE B8
17	BOLT NUT	*	ASTM A194 GRADE 8	ASTM A194 GRADE 8
18	HANDLE LOCK	1	AISI 304	AISI 304
19	ANTI-STATIC DEVICE	2	AISI 316	AISI 316
20	GLAND WASHER	1	RTFE	RTFE