




Pneumatic Spring Return

Automated Ball Valve Package

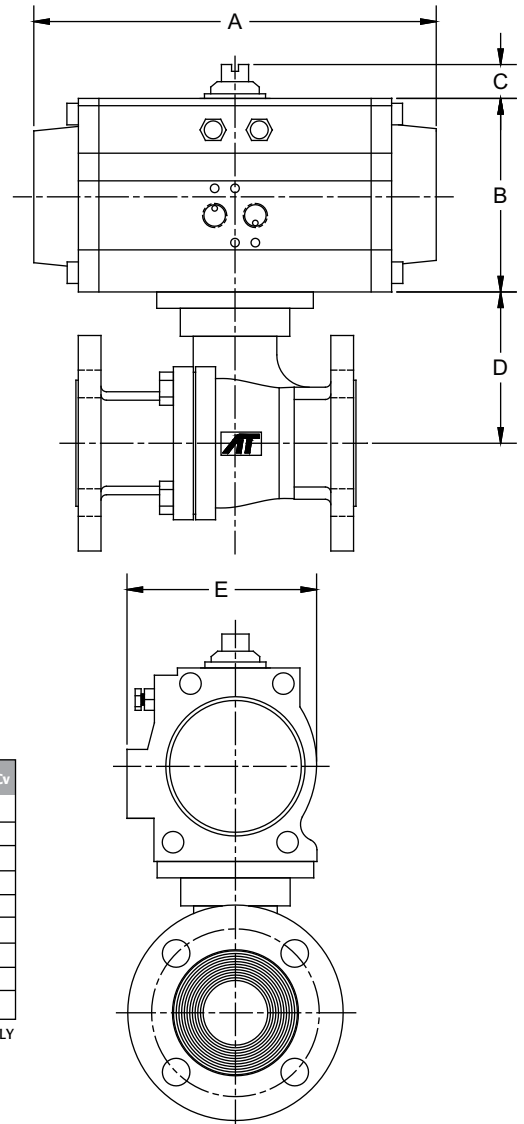
Series FD9
ANSI 300#
Flanged Ball Valve
Direct Mount

 Firesafe
Full Port Valve
ANSI Class 300#
Available 1/2" – 6"
316SS or WCB Body
316SS Ball & Stem
Belleville Washers
Chevron Packing
RTFE Seats Standard
Pyramidal Stem Design

**API 607 - 4th Edition
CERTIFIED**



**300# Flanged
Firesafe Tested to API-607
Direct Mount**



DIMENSIONS (IN)

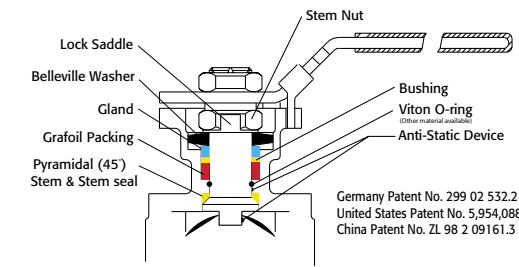
VALVE SIZE	A	B	C	D	E	VALVE Cv
1/2"	7.95	3.43	0.79	1.92	3.29	15
3/4"	9.29	4.49	0.79	2.50	4.41	45
1"	9.29	4.49	0.79	2.50	4.41	85
1-1/2"	10.87	4.88	0.79	3.51	4.82	275
2"	10.87	4.88	0.79	3.80	4.82	460
2-1/2"	13.90	6.18	0.79	4.57	6.04	700
3"	13.90	6.18	0.79	5.22	6.04	1100
4"	15.16	6.93	1.18	6.18	6.69	2200
6"	24.37	10.12	1.18	12.28	9.29	5150

DIMENSIONS SHOWN ARE FOR ASSEMBLIES SIZED FOR 80 PSI SUPPLY

**SERIES FD9 300# Flanged Direct Mount
Firesafe**

SIZED FOR 80 psi AIR SUPPLY	
SIZE	MODEL
1/2"	FD9-3X-050/2R2S-XX
3/4"	FD9-3X-075/2R3S-XX
1"	FD9-3X-100/2R3S-XX
1-1/2"	FD9-3X-150/2R4S-XX
2"	FD9-3X-200/2R5S-XX
2-1/2"	FD9-3X-250/2R6S-XX
3"	FD9-3X-300/2R7S-XX
4"	FD9-3X-400/2R7S-XX
6"	FD9-3X-600/2R0S-XX

SIZED FOR 60 psi AIR SUPPLY	
SIZE	MODEL
1/2"	FD9-3X-050/2R2S-XX
3/4"	FD9-3X-075/2R3S-XX
1"	FD9-3X-100/2R3S-XX
1-1/2"	FD9-3X-150/2R4S-XX
2"	FD9-3X-200/2R5S-XX
2-1/2"	FD9-3X-250/2R6S-XX
3"	FD9-3X-300/2R7S-XX
4"	FD9-3X-400/2R8S-XX
6"	FD9-3X-600/2RAS-XX



Germany Patent No. 299 02 532.2
United States Patent No. 5,954,088
China Patent No. ZL 98 2 09161.3

**SAMPLE PART #
FD9C-3X-150/2R3S-XX**

Firesafe
Valve Series
Denotes Carbon Steel
End Connection (300# Flanged)
Seat Material (RTFE Seats)
Valve Size (1-1/2")
Triac Actuator
Rack & Pinion Pneumatic
Actuator Size
Spring Return
Solenoid
Limit Switch



Triac Division
11363 Deerfield Rd.
Cincinnati, Ohio 45242
PHONE (513) 247-5465
FAX (513) 247-5462
e-mail: sales@a-tcontrols.com
www.a-tcontrols.com

OPTIONS

DESCRIPTION	PART NO. SUFFIX	DESCRIPTION	PART NO. SUFFIX
NEMA 4 Solenoid	(A)	NEMA 4 Limit Switch (2) spdt	(A)
NEMA 7 Solenoid	(B)	NEMA 7 Limit Switch (2) spdt	(B)

Other options available - call for details
Actuators are sized based on clean/clear fluid.

See valve part number matrix for complete part number and options.

050111-FD9F3SR