



L1219A

Universal Explosion-proof LED Lighting

Warning Light (Steady on)



COB

Net Weight: 8.0 kg (14.7 lb)



Protection

- Ex d IIB + H₂ T6 Gb
- Ex tb IIIC T85°C Db

Standards

CNS 3376-0
CNS 3376-1
IEC60079-31

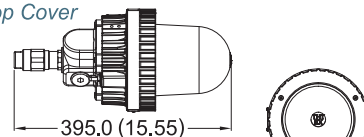
Light Features

- Salt Spray 1000 hrs passed
- IP 68 rated for wet locations

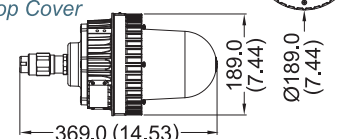
Technical Data

Rated Voltage (±10%)	220V AC
Watts (±10%)	10W / 20W
Amps	10W 220V: 0.05A / 20W 220V: 0.09A
Color of LED Light	Red
Ambient Temperature	-20°C ~ +40°C, T6
Power Factor	cos ≥ 0.9
Beam Angle	X-110° / Y-110°
Frequency	50 / 60 Hz
Degree of Protection	IP68 / NEMA 6P
Material	<ul style="list-style-type: none"> • Enclosure: Aluminum alloy • Glass: Tempered glass
LED Service Life	60,000 hrs
Entrance Thread	G 3/4" × 4 (Tall top cover) G 3/4" × 1 (Short top cover)

Tall Top Cover



Short Top Cover



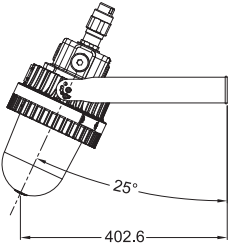
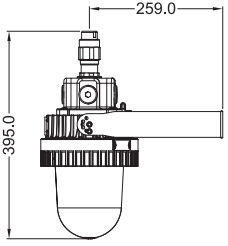
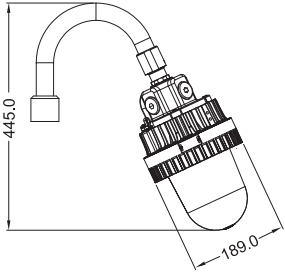
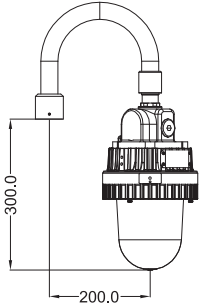
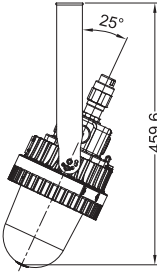
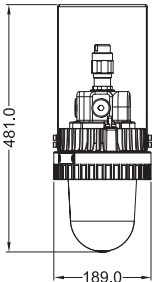
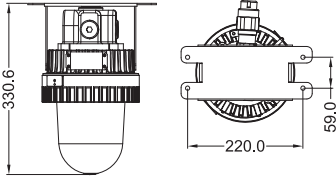
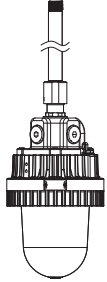
Dimension in Millimeters (inches)

Model Code

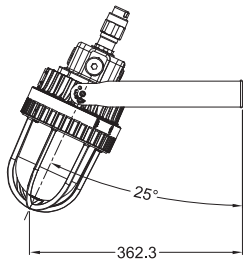
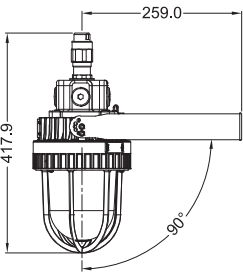
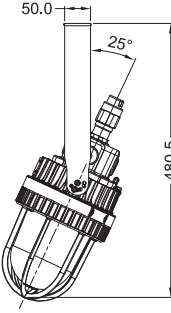
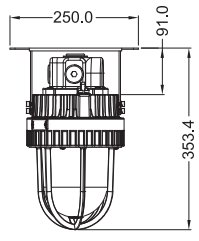
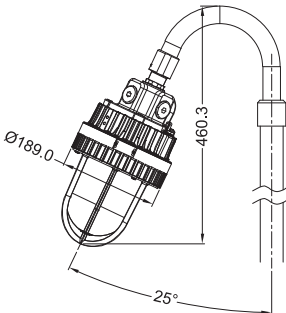
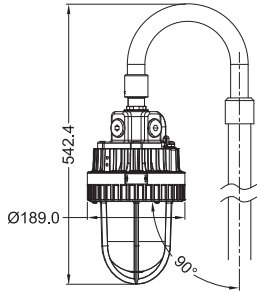
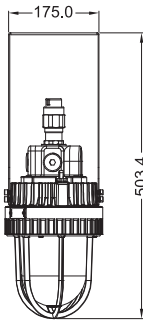
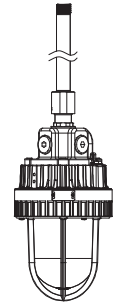
THT	2L	A	20W	d	6	2	R	1219	C90
Brand, THT=TOP HI-TECH CO., LTD.	Category of product, 2L=LED lightings use DCOB LED module	Current of LED module, A=AC	Wattage, 10W=10W, 20W=20W	Protection type of product, d=d type	Temperature class of product, 6=T6 (85°C)	Voltage, 2=220V	C.C.T., R=Red light	Model Name, 1219=Model L1219	Mounting bracket type W25/90=Wall Mount 25°/90° H25/90=Hanging Mount 25°/90° S25/90=Stanchion 25°/90° P30=Pendant C90=Ceiling

Mounting Option & Dimensions (All in mm)

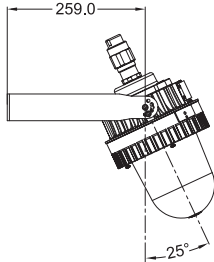
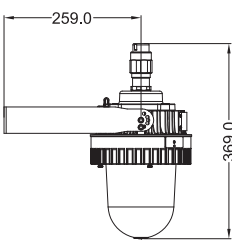

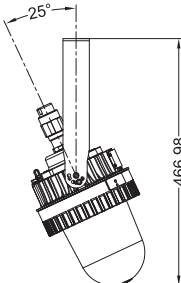
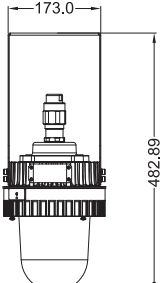
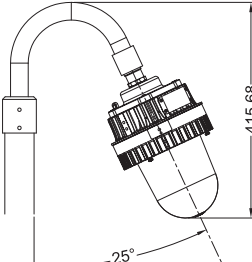
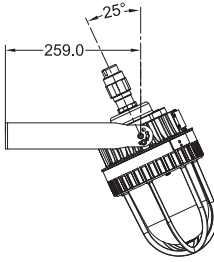
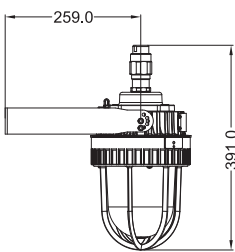
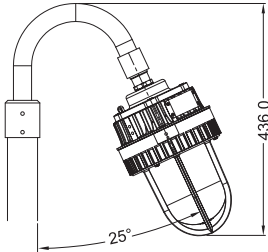
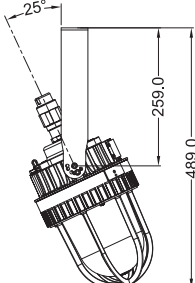
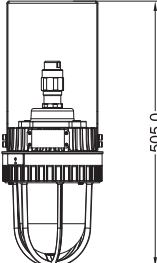

Tall Top Cover (Standard Product)

<p>Wall Mount 25° (W25)</p>  <p>8.4 kg (18.5 lb)</p>	<p>Wall Mount 90° (W90)</p>  <p>8.4 kg (18.5 lb)</p>	<p>Stanchion 25° (S25)</p>  <p>9.3 kg (20.5 lb)</p>	<p>Stanchion 90° (S90)</p>  <p>9.1 kg (20.0 lb)</p>
<p>Hanging Mount 25° (H25)</p>  <p>8.4 kg (18.5 lb)</p>	<p>Hanging Mount 90° (H90)</p>  <p>8.4 kg (18.5 lb)</p>	<p>Ceiling (C90)</p>  <p>8.7 kg (19.1 lb)</p>	<p>Pendant (P30)</p>  <p>8.4 kg (18.5 lb)</p>

Tall Top Cover (With Accessory "Guard")

<p>Wall Mount 25° (W25G)</p>  <p>8.6 kg (18.9 lb)</p>	<p>Wall Mount 90° (W90G)</p>  <p>8.6 kg (18.9 lb)</p>	<p>Hanging Mount 25° (H25G)</p>  <p>8.6 kg (18.9 lb)</p>	<p>Ceiling (C90G)</p>  <p>8.9 kg (19.5 lb)</p>
<p>Stanchion 25° (S25G)</p>  <p>9.5 kg (20.9 lb)</p>	<p>Stanchion 90° (S90G)</p>  <p>9.3 kg (20.5 lb)</p>	<p>Hanging Mount 90° (H90G)</p>  <p>8.6 kg (18.9 lb)</p>	<p>Pendant (P30G)</p>  <p>8.6 kg (18.9 lb)</p>

Mounting Option & Dimensions (All in mm)

Short Top Cover (Standard Product)		
<p>Wall Mount 25° (W25)</p>  <p>7.8 kg (17.2 lb)</p>	<p>Wall Mount 90° (W90)</p>  <p>7.8 kg (17.2 lb)</p>	<p>Pendant (P30)</p>  <p>7.8 kg (17.2 lb)</p>
<p>Hanging Mount 25° (H25)</p>  <p>7.8 kg (17.2 lb)</p>	<p>Hanging Mount 90° (H90)</p>  <p>7.8 kg (17.2 lb)</p>	<p>Stanchion 25° (S25)</p>  <p>8.7 kg (19.1 lb)</p>
Short Top Cover (With Accessory "Guard")		
<p>Wall Mount 25° (W25G)</p>  <p>8.0 kg (17.6 lb)</p>	<p>Wall Mount 90° (W90G)</p>  <p>8.0 kg (17.6 lb)</p>	<p>Stanchion 25° (S25G)</p>  <p>8.9 kg (19.5 lb)</p>
<p>Hanging Mount 25° (H25G)</p>  <p>8.0 kg (17.6 lb)</p>	<p>Hanging Mount 90° (H90G)</p>  <p>8.0 kg (17.6 lb)</p>	<p>Pendant (P30G)</p>  <p>8.0 kg (17.6 lb)</p>

Applicable Area

- Oil Refinery Complex
- Petrochemical Complex
- Painting Facility
- Transporting Nature Gas
- Transporting Liquefied
- Petroleum Gas
- Offshore Platform (Oil and Natural Gas)