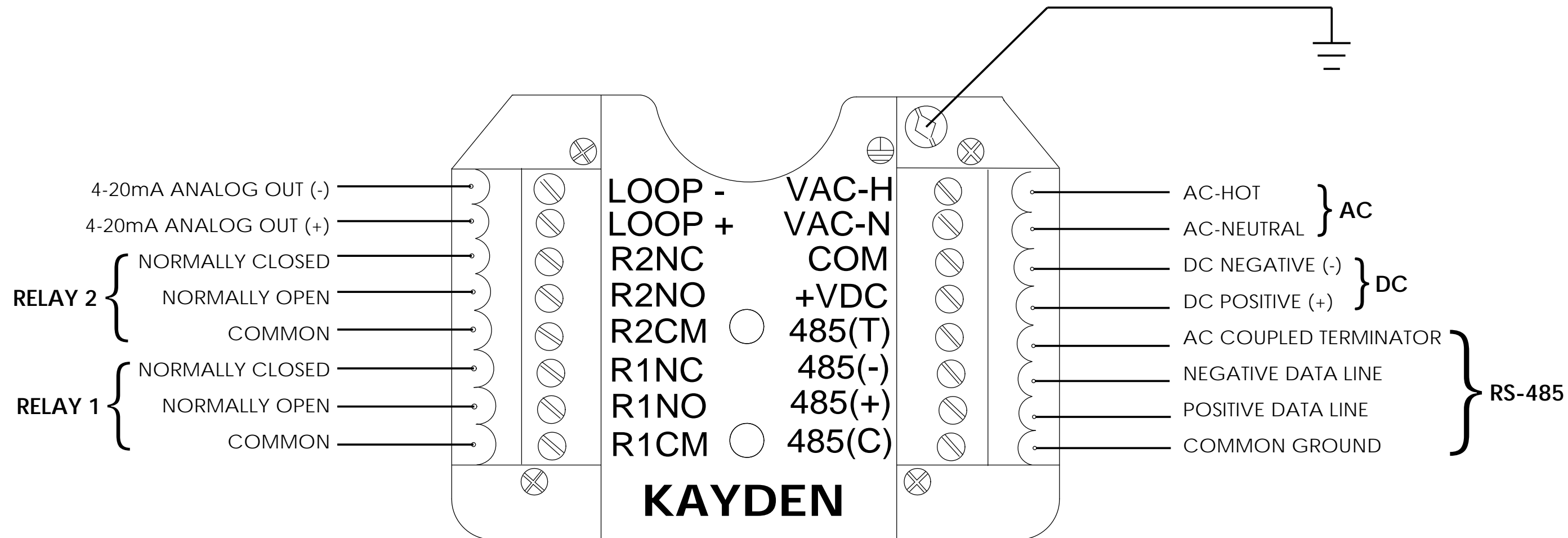


REVISIONS				
ZONE	REV.	DESCRIPTION	DATE	APPROVED
All	0	INITIAL RELEASE	21SEPT01	PC
	1	ADDED DETAILS AND INCLUDED DC INFORMATION	15JAN07	TDH
	2	TITLEBLOCK	27MAY09	READ



UNLESS OTHERWISE SPECIFIED:		NAME	DATE
DIMENSIONS ARE IN INCHES	DRAWN	TDH	15JAN07
TOLERANCES: ANGULAR: 0.5°	CHECKED	CHARUK	15JAN07
ONE PLACE DECIMAL ±0.1	ENG. APPR.	KUYPERS	15JAN07
TWO PLACE DECIMAL ±0.02			
THREE PLACE DECIMAL ±0.007			
INTERPRET GEOMETRIC TOLERANCING PER:	COMMENTS:		
MATERIAL			
FINISH			
DO NOT SCALE DRAWING			

**KAYDEN**<sup>®</sup>  
I N S T R U M E N T S

TITLE:  
**WIRING/CONNECTION DIAGRAM**  
INTEGRAL ELECTRONICS  
SERIES: CLASSIC 800

SIZE	DWG. NO.	REV
<b>B</b>	D15-3002-E	2