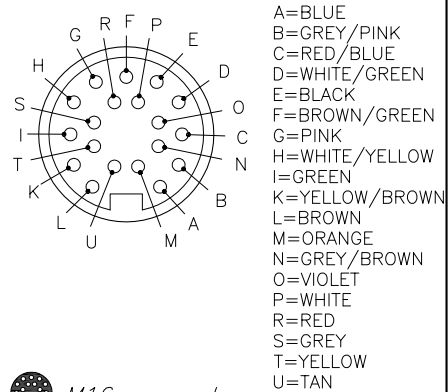
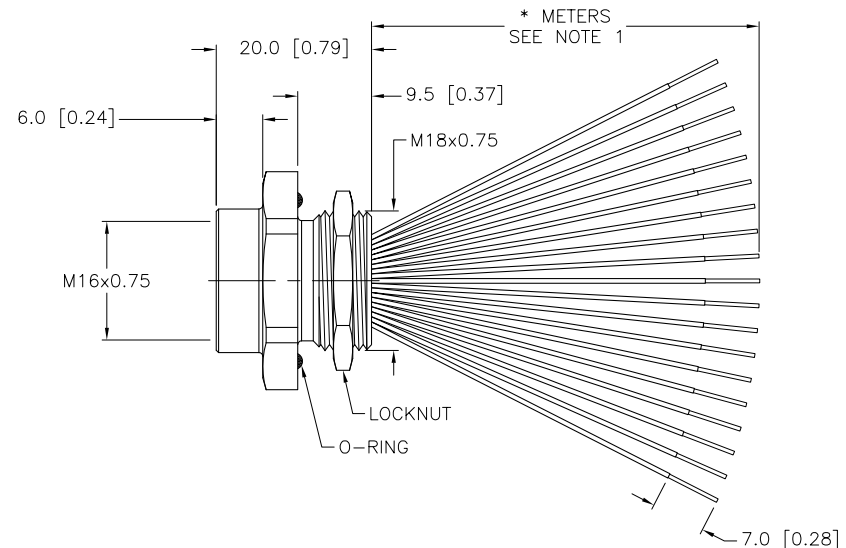
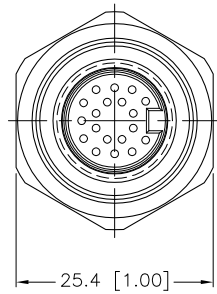


FEMALE END VIEW



M16 connector

SPECIFICATIONS		SPECIFICATIONS	
CONTACT CARRIER MATERIAL/COLOR		TPU/BLACK	
CONTACT MATERIAL/PLATING		BRASS/GOLD	
HOUSING MATERIAL/PLATING		BRASS/NICKEL	
O-RING MATERIAL		NITRILE (BUNA N)	
RATED CURRENT [A]		3.0 A	
RATED VOLTAGE [V]		30 VAC/VDC	
CONDUCTOR INSULATION MATERIAL		PVC	
NUMBER OF CONDUCTORS [AWG]		19x22 AWG	
TEMPERATURE RANGE		-40°C to +105°C (-40°F to +221°F)	
PROTECTION CLASS		MEETS NEMA IEC IP67	



CABLE LENGTH	TOLERANCE
ALL LENGTHS	+ 4% (OR 50mm) OF LENGTH - 0% (OR 0mm) OF LENGTH WHICHEVER IS GREATER
STRIP LENGTH	TOLERANCE
0-7mm	±0.5mm
8-29mm	±1.0mm
30-49mm	±2.0mm
50-69mm	±3.0mm
70-100mm	±4.0mm
OVER 100mm	±5.0mm

- NOTES:
- "\*" INDICATES LEAD LENGTH IN METERS. CONTACT TURCK TO ORDER SPECIFIC LENGTH.
  - PANEL THICKNESS:  
-MINIMUM: 2.4 mm  
-MAXIMUM: 6.1 mm

SOURCE DRAWING - FOR REFERENCE ONLY

RELATED DOCUMENTS 1. 2. 3. 4.	3RD ANGLE PROJECTION 	THIS DRAWING IS PROPERTY OF TURCK INC. USE OF THIS DOCUMENT WITHOUT WRITTEN PERMISSION IS PROHIBITED.		<b>TURCK INC</b> High Technology Sensors and Automation Controls 3000 CAMPUS DRIVE MINNEAPOLIS, MN 55441 1-800-544-7769 (763) 553-7300 (763) 553-0708 fax turck.com	
	MATERIAL SEE SPECIFICATION	DRFT RWC	DATE 10/04/04	DESCRIPTION BKF 19-19-*/M18	
FINISH SEE SPECIFICATION	ALL DIMENSIONS DISPLAYED ON THIS DRAWING ARE FOR REFERENCE ONLY	DSGN	SCALE 1=1.0	UNIT OF MEASUREMENT <b>MILLIMETER [ INCH ]</b>	IDENTIFICATION NO. REV C
C	DRAWING PROCESSED AS PART OF ECO 33971	CBM	04/06/11	33971	DO NOT SCALE THIS DRAWING
REV	DESCRIPTION	BY	DATE	ECO NO.	FILE: 777009741