



Pneumatic Spring Return Automated Ball Valve Package

Series 88 3-Piece Ball Valve

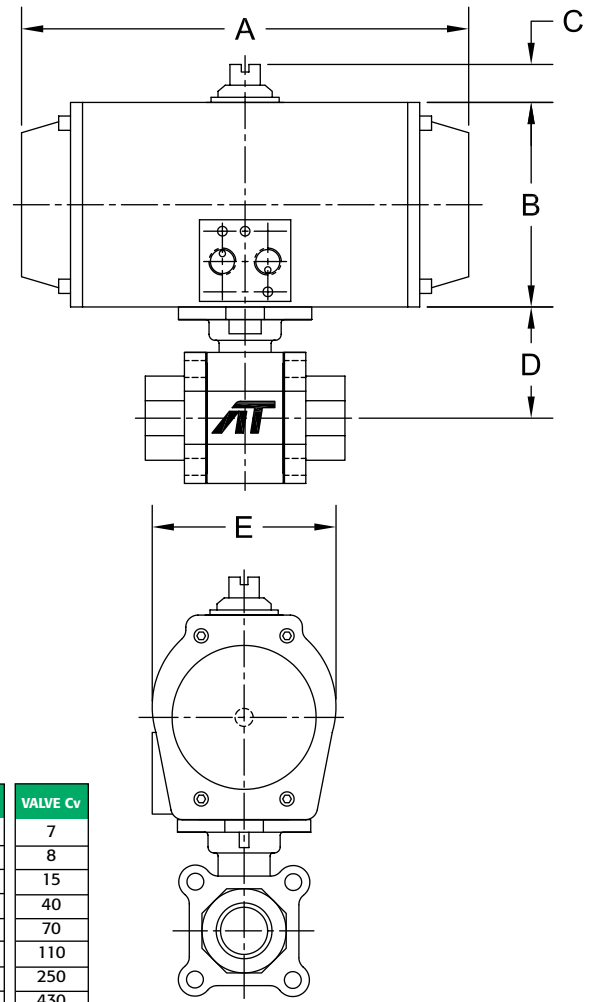
Direct Mount
Full Port Valve
1000 & 2000 psi WOG (by size)
Available 1/4" - 4"
316SS Body
316SS Ball & Stem
Belleville Washers,
Double Chevron Packing,
RTFE Seats Standard
Threaded, SW or BW

STANDARDS

Design	ANSI B16.34
Butt Weld Ends	ANSI B16.25
Threaded Ends	ANSI B1.20
Pipeline Valves	API 6D
Pressure Testing	API 598
Mounting Pad	ISO 5211
Marking System for Valves	ISO 5209
Material Certification	EN 10204-3.1
Quality Assurance	ISO 9001



Direct Mount



DIMENSIONS (IN)

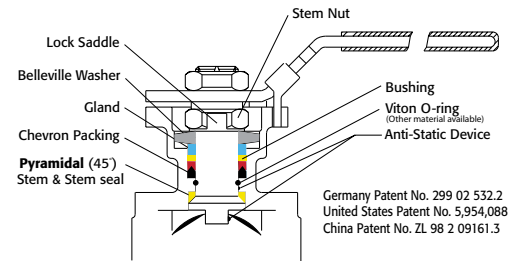
VALVE SIZE	A	B	C	D	E	VALVE Cv
1/4"	6.55	2.56	0.787	1.66	2.56	7
3/8"	6.55	2.56	0.787	1.66	2.56	8
1/2"	6.55	2.56	0.787	1.66	2.56	15
3/4"	6.80	3.18	0.787	1.83	2.92	40
1"	6.80	3.18	0.787	2.31	2.92	70
1-1/4"	7.90	4.24	0.787	2.46	3.97	110
1-1/2"	7.90	4.24	0.787	3.11	3.97	250
2"	9.90	4.24	0.787	3.42	3.97	430
2-1/2"	9.90	5.23	0.787	4.28	4.75	600
3"	11.16	6.09	1.181	4.63	5.39	1100
4"	16.55	7.72	1.181	5.26	6.85	2000

DIMENSIONS SHOWN ARE FOR ASSEMBLIES SIZED FOR 80 PSI SUPPLY

SERIES 88 3-Piece Direct Mount "Painless Stainless"

SIZED FOR 80 psi AIR SUPPLY	
SIZE	MODEL
1/4"	88-TX-025/SS1S-XX
3/8"	88-TX-038/SS1S-XX
1/2"	88-TX-050/SS1S-XX
3/4"	88-TX-075/SS2S-XX
1"	88-TX-100/SS2S-XX
1-1/4"	88-TX-125/SS3S-XX
1-1/2"	88-TX-150/SS3S-XX
2"	88-TX-200/SS4S-XX
2-1/2"	88-TX-250/SS4S-XX
3"	88-TX-300/SS5S-XX
4"	88-TX-400/SS7S-XX

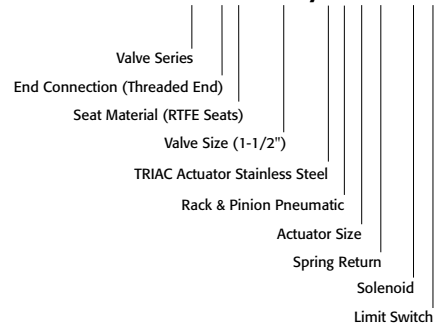
SIZED FOR 60 psi AIR SUPPLY	
SIZE	MODEL
1/4"	88-TX-025/SS1S-XX
3/8"	88-TX-038/SS1S-XX
1/2"	88-TX-050/SS2S-XX
3/4"	88-TX-075/SS2S-XX
1"	88-TX-100/SS2S-XX
1-1/4"	88-TX-125/SS3S-XX
1-1/2"	88-TX-150/SS3S-XX
2"	88-TX-200/SS4S-XX
2-1/2"	88-TX-250/SS5S-XX
3"	88-TX-300/SS6S-XX
4"	88-TX-400/SS7S-XX



Germany Patent No. 299 02 532.2
United States Patent No. 5,954,088
China Patent No. ZL 98 2 09161.3

SAMPLE PART #

88-TX-150/SS3S-XX



OPTIONS

DESCRIPTION	PART NO. SUFFIX	DESCRIPTION	PART NO. SUFFIX
NEMA 4 Aluminum Solenoid	A	NEMA 4 Aluminum Limit Switch	A
NEMA 7 Aluminum Solenoid	B	NEMA 7 Aluminum Limit Switch	B
NEMA 4 Stainless Solenoid	Q	NEMA 4 Stainless Limit Switch	Q
NEMA 7 Stainless Solenoid	M	NEMA 7 Stainless Limit Switch	M

Other options available - call for details
Actuator sizing based on clean clear fluid
See valve part number matrix for complete part number and options.

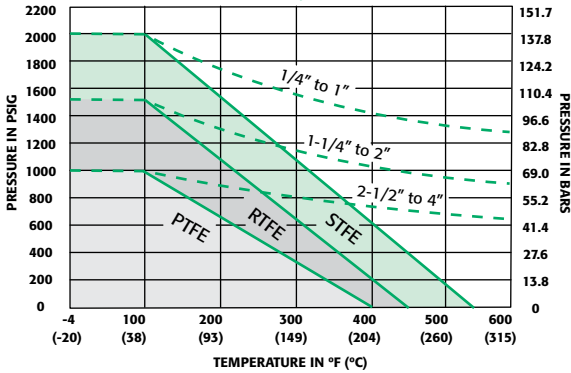


Triac Division
11363 Deerfield Rd.
Cincinnati, Ohio 45242
PHONE (513) 247-5465
FAX (513) 247-5462
e-mail: sales@a-tcontrols.com
www.a-tcontrols.com

Series 88

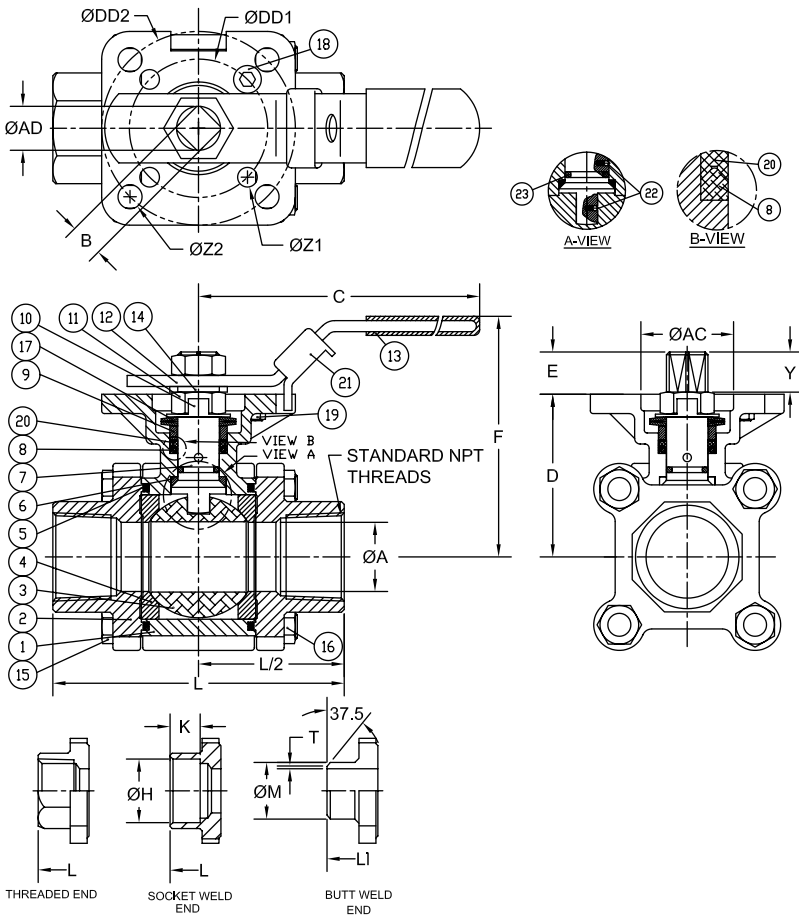
High Performance, Full Port 1500 & 2000 psi WOG by size 3-Piece Ball Valve 1/4" to 4" ISO 5211 Direct Mount

Pressure vs. Temperature Chart
for Valve 1/4" to 4"



NOTE: Dotted line shows the rating for valve body. Solid line shows the rating for valve seat. Both ratings need to be considered when determining the limitation of the valve for specific application.

Consult factory for other seat materials



MATERIALS LIST

NO.	PART NAME	QTY.	MATERIAL	
			Stainless Steel	Carbon Steel
1	Body	1	CF8M	WCB
2	End Cap	2	CF8M	WCB
3	Ball	1	SS316	SS316
4	Seat	2	RTFE	RTFE
5	Joint Gasket	2	PTFE	PTFE
6	Stem Seals	1	RTFE	RTFE
7	Stem	1	SS316	SS316
8	Gland Packing	2	PTFE	PTFE
9	Gland Bush	1	SS304	SS304
10	Lock Saddle	1	SS304	SS304
11	Stem Nut	2	SS304	SS304
12	Handle	1	SS304	SS304
13	Handle Sleeve	1	Vinyl	Vinyl
14	Stem Washer	1	SS304	SS304
15	Bolt	*	SS304	SS304
16	Bolt Nut	*	SS304	SS304
17	Belleville Washer	2	SS301	SS301
18	Stop Bolt & Nut	1	SS304	SS304
19	Pin Nut	1	SS304	SS304
20	Bushing	1	RTFE	RTFE
21	Locking Device	1	SS304	SS304
22	Anti-Static Device	2	SS304	SS304
23	O-Ring	1	Viton®	Viton®

* 1/4" - 1-1/2" - 4 pcs.

* 2" - 4" - 6 pcs.

DIMENSIONS (IN)

SIZE	ØA	B	C	D	E	F	H	K	L	L1	M	T	Y	AC	AD	DD1	DD2	ØZ2	ØZ1	(LBS)	ISO5211
1/4"	0.45	0.354	5.47	1.66	0.25	3.00	0.55	0.39	2.95	2.95	0.85	0.13	0.25	1.04	0.44	1.654	1.969	0.28	0.28	1.6	F04/F05
3/8"	0.50	0.354	5.47	1.66	0.25	3.00	0.69	0.39	2.95	2.95	0.85	0.11	0.25	1.04	0.44	1.654	1.969	0.28	0.28	1.6	F04/F05
1/2"	0.59	0.354	5.47	1.66	0.25	3.00	0.85	0.39	2.85	2.95	0.85	0.06	0.25	1.07	0.44	1.654	1.969	0.28	0.28	2.0	F04/F05
3/4"	0.79	0.354	5.47	1.83	0.33	3.20	1.07	0.51	3.36	3.54	1.07	0.06	0.33	1.07	0.44	1.969	2.756	0.34	0.28	3.0	F05/F07
1"	0.98	0.433	6.50	2.31	0.41	3.86	1.34	0.51	4.15	4.33	1.34	0.06	0.41	1.34	0.56	1.969	2.756	0.34	0.28	4.5	F05/F07
1-1/4"	1.26	0.433	6.50	2.46	0.41	4.00	1.69	0.51	4.37	4.53	1.68	0.06	0.41	1.34	0.56	1.969	2.756	0.34	0.28	6.0	F05/F07
1-1/2"	1.50	0.551	8.46	3.11	0.53	5.04	1.92	0.51	5.01	5.12	1.91	0.06	0.53	1.54	0.74	1.969	2.756	0.34	0.28	10.0	F05/F07
2"	1.97	0.551	8.46	3.42	0.53	5.35	2.40	0.63	5.62	5.62	2.38	0.06	0.53	1.54	0.74	1.969	2.756	0.35	0.30	13.0	F05/F07
2-1/2"	2.56	0.748	10.31	4.28	0.66	6.60	2.89	0.63	7.28	7.28	3.00	N/A	0.66	2.09	0.94	2.756	4.016	0.47	0.39	26.0	F07/F10
3"	3.15	0.748	10.31	4.63	0.70	6.96	3.54	0.63	8.07	8.07	3.54	N/A	0.70	2.09	0.94	2.756	4.016	0.47	0.39	34.0	F07/F10
4"	3.94	0.748	12.28	5.26	0.66	7.59	4.54	0.79	9.45	9.45	4.57	N/A	0.66	2.09	0.94	2.756	4.016	0.47	0.39	62.0	F07/F10

Viton® is a registered trademark of E.I. DuPont de Nemours.

A-T Controls reserves the right to change product designs and technical/dimensional specifications without notice.

050111-88SSM

A-T Controls, Inc.

Triac Division
11363 Deerfield Rd.
Cincinnati, Ohio 45242

PHONE (513) 247-5465
FAX (513) 247-5462
e-mail: sales@a-tcontrols.com
www.a-tcontrols.com