

TVCS NAMUR Mount  
Solenoid Valve

**Description**

The Triac TVCS Solenoids are design to mount directly to the Triac pneumatic actuators which eliminates tubing and fittings. The Triac TVCS Solenoids are available in several optional voltages. All Triac TVCS Solenoids are leakfree and bubbletight.



**Material**

Valve Body & Plunger	Aluminum
Actuating Caps - Solenoid	Synthetic Resin
Actuating Caps - Spring Cap	Aluminum
Plunger & Body Seals	NBR (Nitrile)
Pilot Piston Seals	NBR (Nitrile)
Actuator mounting O-Rings	NBR (Nitrile)
Pilot Piston	Synthetic Resin
Screws	Plated Steel
DIN Connector	Synthetic Resin

**Porting Size**

Inlet & Exhaust = 1/4" NPT

**Flow Rates**

Cv = 1.4

**Ambient Temp**

20 Deg F to 125 Deg F

(For temperatures below 32 Deg F, Air must be free of water vapor)

**Pressure -**

5 PSI Minimum / 115 PSI Maximum

**Media -**


Dry or lubricated non-corrosive gas compatible with nitrile seals

**Part Numbers & Coil Data**

Operator Type	AC Voltage	Inrush MA	Holding MA	ohms	Nominal Power	Operator Type	DC Voltage	Inrush & Holding MA	ohm	Nominal Power
TVCS-X411-4N-A24	24VAC / 50HZ 24VAC / 60HZ	265	210	51	4.2 Watt	TVCS-X411-4N-D12	12VDC	200	60	2.5 Watt
TVCS-X411-4N-A36	36VAC / 50HZ 36VAC / 60HZ	175	138	111	4.2 Watt	TVCS-X411-4N-D24	24VDC	108	223	2.5 Watt
TVCS-X411-4N-A120	110VAC / 50HZ 120VAC / 60HZ	56	45	1180	4.2 Watt					
TVCS-X4114N-A220	220VAC / 50HZ 220VAC / 60HZ	36	29	3550	4.5 Watt					

4N - Watertight, NEMA 4, IP65 CE Registered

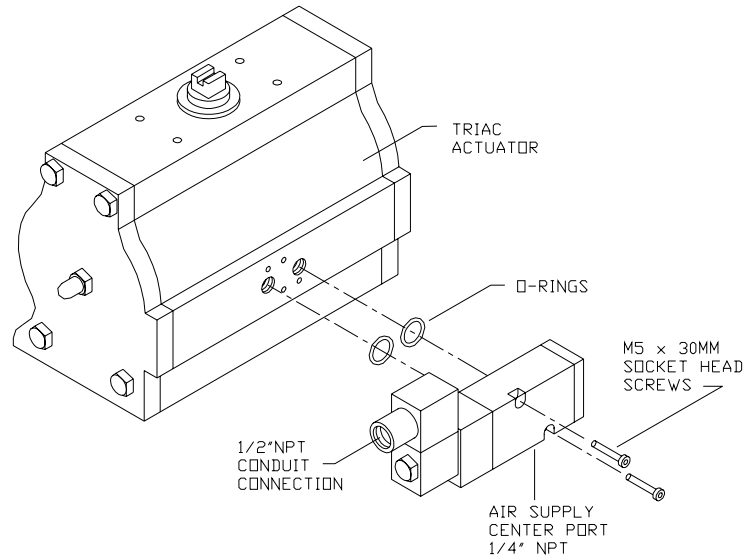
**Flow Pattern Schematics**

FUNCTION	PORT SIZE	Cv	SINGLE SOLENOID/SPRING RETURN, 2 POSITION
4-WAY 5/G	1/4" NPT	1.4	

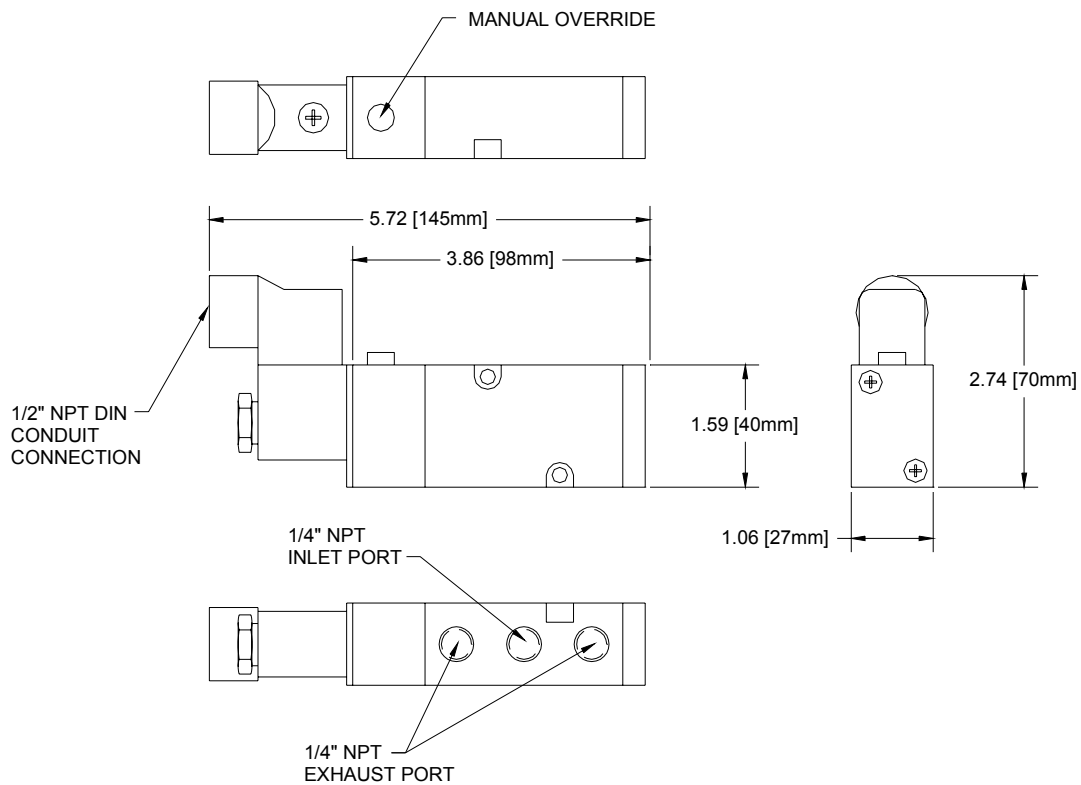
**TVCS NAMUR Mount  
Solenoid Valve**

**Installation Instructions**

1. Place the o-rings provided into the o-ring bores on the face of the solenoid valve. Each o-ring should be completely seated in the bore.
2. Place the actuator with the two ports facing you, and the stem pointing up. Orient the TVCS Solenoid Valve with the (2) o-rings toward the actuator and the operator towards the left.
3. The solenoid valve is then mounted to the actuator with the two screws provided.
4. Connect the air supply to the center port and wire solenoid per local and national electrical codes. The assembly is now ready for operation.
5. Optional bronze vents or adjustable speed controls can be added to the exhaust ports.

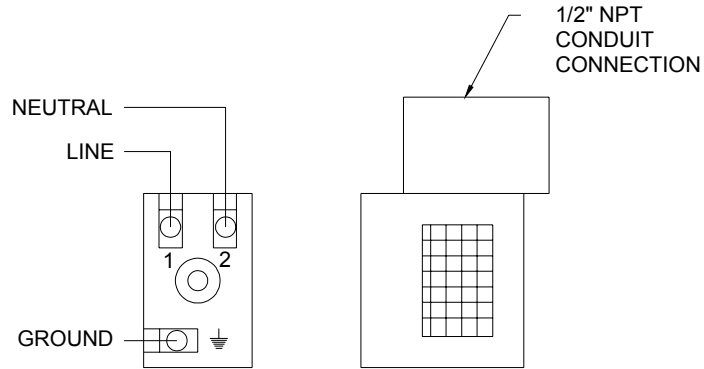


**Dimensions**

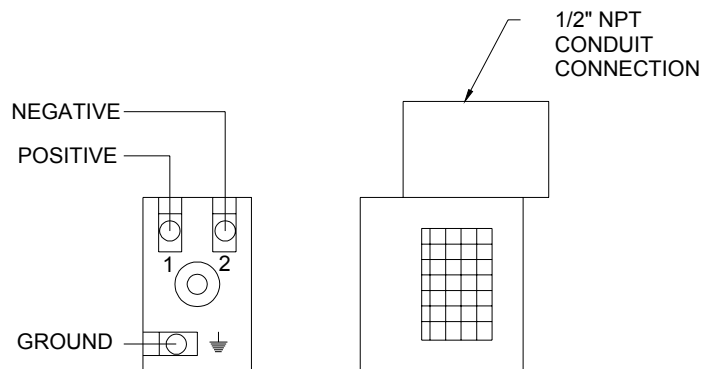


**WIRING DIAGRAM**

**24VAC / 120VAC COIL VOLTAGE**



**12VDC / 24VDC COIL VOLTAGE**



**220VAC / 1PHASE COIL VOLTAGE**

