

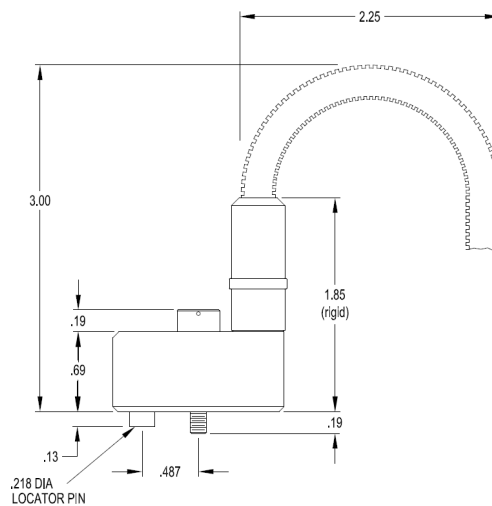
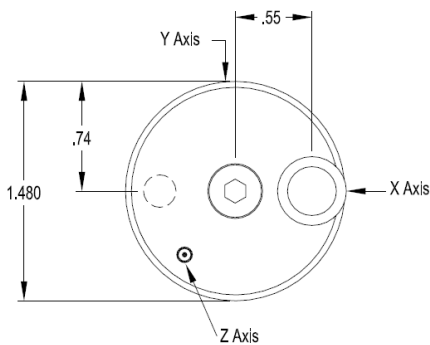
General purpose, hermetic triaxial accelerometer

993B series



Key features

- Rugged hermetic design
- General purpose
- Broad frequency response
- Easy to mount, positioning pin
- EMI/RFI protection
- ESD protection
- Reverse wire protection
- Low noise
- Low weight
- Armor jacketed cable



Connections	
Function	Cable conductor color
X axis, power/signal	green
Y axis, power/signal	red
Z axis, power/signal	white
common (all channels)	black
N/C	shield

Note: Due to continuous process improvement, specifications are subject to change without notice.
This document is cleared for public release.

Wilcoxon Sensing Technologies
20511 Seneca Meadows Parkway
Germantown, MD 20876
info@wilcoxon.com

Tel: (301) 330 8811
Fax: (301) 330 8873
www.wilcoxon.com

Wilcoxon Sensing Technologies
An Amphenol Company

General purpose, hermetic triaxial accelerometer

993B series

SPECIFICATIONS

	993B-5	993B-6	993B-7
Sensitivity, $\pm 10\%$, 25° C	25 mV/g	50 mV/g	100 mV/g
Acceleration range	160 g peak	80 g peak	40 g peak
Amplitude nonlinearity	1%		
Frequency response¹:			
Z axis, ± 3 dB	2 - 10,000 Hz		
X and Y axes, ± 3 dB	2 - 7,000 Hz		
Transverse sensitivity, max	7% of axial		
Power requirement:			
Voltage source	18 - 30 VDC		
Current regulating diode	2 - 5 mA		
Electrical noise, equiv. g, nominal:			
Broadband 2.5 Hz to 25 kHz	336 μ g	220 μ g	160 μ g
Spectral 10 Hz	24 μ g/ \sqrt Hz	15 μ g/ \sqrt Hz	10 μ g/ \sqrt Hz
100 Hz	3.2 μ g/ \sqrt Hz	2.0 μ g/ \sqrt Hz	1.4 μ g/ \sqrt Hz
1,000 Hz	2 μ g/ \sqrt Hz	1.1 μ g/ \sqrt Hz	1.0 μ g/ \sqrt Hz
Output impedance, max	400 Ω		
Bias output voltage	11 VDC		
Grounding	case isolated, internally shielded		
Turn-on time	<1 sec		
Temperature range	-50 to +120° C		
Vibration limit	500 g peak		
Shock limit	5,000 g peak		
Electromagnetic sensitivity, equiv. g	100 μ g/gauss		
Sealing	hermetic		
Base strain sensitivity, max	0.0005 g/ μ strain		
Hydrostatic pressure, max	100 psi (IP68)		
Weight (excluding cable)	134 grams		
Case material	316L stainless steel		
Cable	integral, 16 ft Teflon [®] J9T4B, armored		
Cable termination	stripped and tinned ²		
Mounting	10-32 captive screw		

Contact

Wilcoxon Sensing Technologies

20511 Seneca Meadows Parkway
Germantown MD 20876, USA

Tel: +1 301 330 8811
Fax: +1 301 330 8873

info@wilcoxon.com

www.wilcoxon.com

Accessories supplied:

- Calibration data (level 2)
- Captive screw

Notes: ¹ As measured using the mounting screw.

² Optional cable terminations: R11D (11-pin Fischer), R9W (4-pin Bendix), R21 (4-pin Amp), 3xR2 (BNC)

Note: Due to continuous process improvement, specifications are subject to change without notice. This document is cleared for public release.

Wilcoxon Sensing Technologies
20511 Seneca Meadows Parkway
Germantown, MD 20876
info@wilcoxon.com

Tel: (301) 330 8811
Fax: (301) 330 8873
www.wilcoxon.com

Wilcoxon Sensing Technologies
An Amphenol Company