

## Table of content

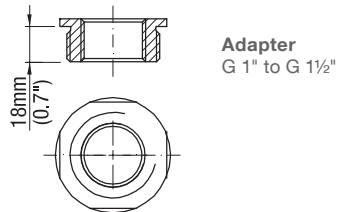
---

|                        | page |
|------------------------|------|
| CN 4000                | 2    |
| CN 7000                | 3    |
| CN 8000                | 4    |
| MN 4000                | 6    |
| NB 3000                | 7    |
| NB 4000                | 10   |
| NC 8000                | 13   |
| NG 3000                | 14   |
| NG 8000                | 14   |
| NR 3000                | 15   |
| NR 4000                | 17   |
| NR 7000                | 22   |
| RF 3000                | 28   |
| RF 8000                | 30   |
| RN 3000/6000           | 32   |
| RN 4000                | 36   |
| VN 1000/2000/5000/6000 | 38   |
| VN 4000                | 41   |

**CN 4000 Accessories / Spare parts**

Accessories

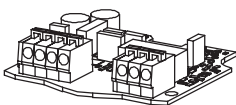
- Adapter G 1" to G 1½"**
- bu400606 Aluminium
- bu400607 1.4305 (303)
  
- Adapter G 1" to NPT 1¼"**
- bu400618 Aluminium
- bu400619 1.4305 (303)
  
- Adapter G 1" to NPT 1½"**
- bu400610 Aluminium
- bu400611 1.4305 (303)
  
- zu400200 **Shortening kit** for CN4050 cable



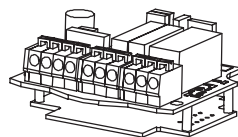
Spare parts

| For type                         | Electronics   | Article number |
|----------------------------------|---|----------------|
| <b>CN 4020</b><br>Version 120°C  | <b>Relay SPDT</b><br>21 .. 27 V DC  | pl406100       |
|                                  | <b>Relay DPDT</b><br>21 .. 230 V AC 21 .. 45 V DC   | pl406110       |
|                                  | <b>PNP</b><br>20 .. 40 V DC   | pl406120       |
| <b>CN 4020</b><br>Version 180°C  | <b>Relay DPDT</b><br>21 .. 230 V AC 21 .. 45 V DC   | pl406111       |
|                                  | <b>PNP</b><br>20 .. 40 V DC   | pl406121       |
| <b>CN 4030</b><br><b>CN 4050</b> | For these types a non changeable electronic is located inside the probe. No spare parts are stated. |                |

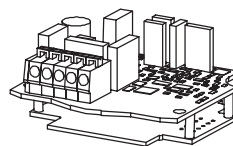
Relay SPDT



Relay DPDT



PNP



## CN 7000 Accessories / Spare parts

### Accessories

|          |   |               |  |
|----------|---|---------------|--|
|          | <b>Adapter</b> <sup>(1)</sup>   |               |  |
| bu400620 | G 1" to G 1 1/2" DIN ISO 228-1  | 1.4404 (316L) |  |
| bu400631 | NPT 3/4" to NPT 1 1/4" ASME B 1.20.1  | 1.4404 (316L) |  |
| bu400630 | NPT 3/4" to NPT 1 1/2" ASME B 1.20.1  | 1.4404 (316L) |  |
|          | <b>EHEDG process connection</b> <sup>(2)</sup>                                      |               |  |
| bu400514 | Flush welding socket $\varnothing$ 30/ G 1/2", 1.4404 (316L), with leakage borehole |               |  |
|          | <b>Sensguard</b> <sup>(3)</sup>   |               |  |
| cl440402 | G 1" DIN ISO 228-1  | PPS           |  |
| cl440411 | NPT 3/4" ASME B 1.20.1  | PPS           |  |
| zu400000 | <b>Shortening kit</b> for CN 7150 extension cable                                   |               |  |

<sup>(1)</sup> Max. process pressure: -1 to 25 bar (363 psi)

<sup>(2)</sup> Fitting to CN 7120 with process connection G 1/2" Hygienic (pos.5 A) and EHEDG certificate (pos.24 a).  
Max. process pressure: -1 to 25 bar (363 psi)

<sup>(3)</sup> Fitting to CN 7120 with process connection G 1/2" (pos.5 B).  
Max. process pressure: -1 to 10 bar (146 psi)

### Complementary products (from outside companies)

#### Remote instrument for 8/16 mA electronic

#### Operation with 8/16 mA, 2-wire current loop:

Input: 8/16 mA from CN 7000 unit

Output: Relay

Intrinsically safe and non-intrinsically safe operation:

Implements self diagnostics when power supply is applied or test button on remote instrument is pressed (remote test)

Possible manufacturer / Type:

Siemens: Sitrans SCSC (single channel) or TCSC (double channel)

Further manufacturers on request (zu400005)

#### M12 mating plug

#### 4 polig, female, for version CN 7000 with M12 plug:

Possible manufacturer / Type:

Phoenix Contact: SACC-M12 - Series

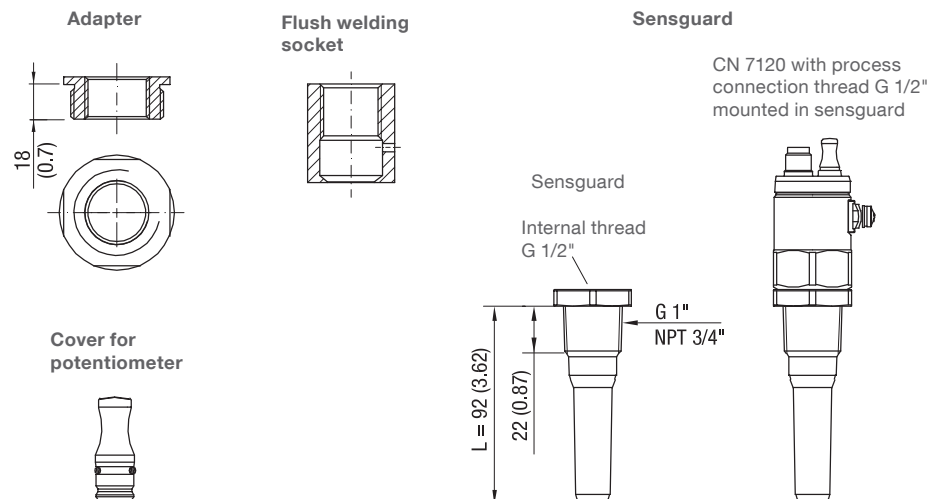
Lapp: EPIC Sensor M12 V4A

Murr Elektronik: M12 Bu. - Series

The specification of the respective datasheets must be checked with the application.

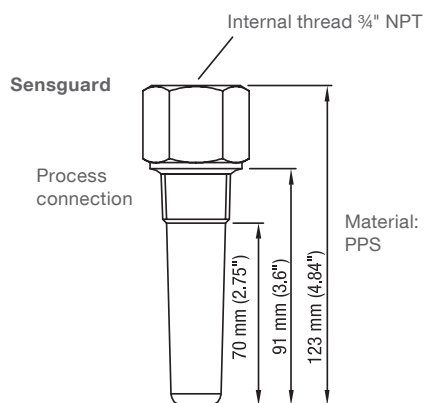
### Spare parts

|          |  |
|----------|--|
| zu400001 | Cover for potentiometer, for enclosure $\varnothing$ 35mm (1.38"), incl. seal ring |
| zu400002 | Cable gland M20 x 1.5 (applicable as well for Ex versions)                         |
| zu400003 | Lid, for enclosure $\varnothing$ 65mm (2.56")                                      |
| zu400004 | Lid seal, for enclosure $\varnothing$ 65mm (2.56")                                 |

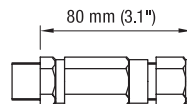


**CN 8000 Accessories**

- cl440102 Sensguard process connection 3/4" NPT (PPS) <sup>(1)</sup>
- cl440103 Sensguard process connection 1" BSPT (PPS) <sup>(1)</sup>
- em440041 Cable gland M20 x 1.5 Ex-d



**Cable gland M20 x 1.5 Ex-d**



For use with version  
 Flameproof ATEX, TR-CU (pos.2 T,L).  
 Type: Stahl T3CDS 246560

(1) Requires unit with process connection 3/4" NPT (pos.5+6 0A).

## CN 8000 Spare parts

| Fitting to unit/ model code | Spare part Article number |
|-----------------------------|---------------------------|
|-----------------------------|---------------------------|

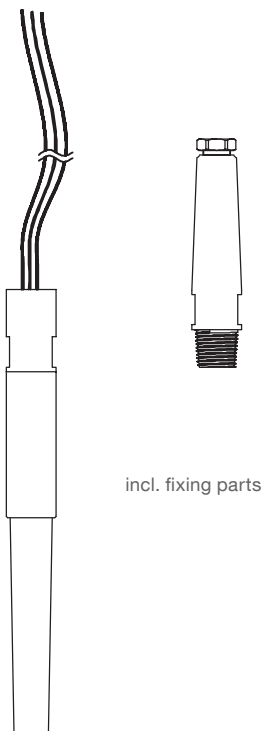
### Electronics

Split electronics is present inside probe and inside housing.  
Please contact manufacturer.

### Sensor kit for cable units

|                                 |            |              |                           |          |
|---------------------------------|------------|--------------|---------------------------|----------|
| Fitting to: Standard electronic | PPS probe  | FKM sealing  | pos.4 E 8 P,Q,Z 10 A      | pl440100 |
| Fitting to: Standard electronic | PVDF probe | FKM sealing  | pos.4 E 8 P,Q,Z 10 B      | pl440110 |
| Fitting to: Standard electronic | PPS probe  | FFKM sealing | pos.4 E 8 P,Q,Z 10 A 17 x | pl440120 |
| Fitting to: Standard electronic | PVDF probe | FFKM sealing | pos.4 E 8 P,Q,Z 10 B 17 x | pl440130 |
| Fitting to: Digital electronic  | PPS probe  | FKM sealing  | pos.4 F 8 P,Q,Z 10 A      | pl440140 |
| Fitting to: Digital electronic  | PVDF probe | FKM sealing  | pos.4 F 8 P,Q,Z 10 B      | pl440150 |
| Fitting to: Digital electronic  | PPS probe  | FFKM sealing | pos.4 F 8 P,Q,Z 10 A 17 x | pl440160 |
| Fitting to: Digital electronic  | PVDF probe | FFKM sealing | pos.4 F 8 P,Q,Z 10 B 17 x | pl440170 |

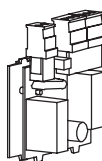
### Sensor kit for cable units



## MN 4000 Spare parts

---

| Electronic board                                   | Article number |
|--|----------------|
| <b>Relais DPDT</b><br>21 .. 230 V AC 22 .. 45 V DC | pl405265       |
| <b>PNP</b><br>20..40V DC                           | pl405266       |



## NB 3000 Accessories

---

### Mounting Kit

Bolts, washers and nuts for mounting the unit on a flange

|          | material            | bolts             | washers  | nuts     |
|----------|---------------------|-------------------|----------|----------|
| zu107000 | stainless steel/ A2 | 4 pieces M16 x 60 | 8 pieces | 4 pieces |

### Flange sealings

Sealings for mounting the unit on a flange.

Material: neoprene (85°C), temperature resistive plastic AFM30 (250°C)

|          | suitable for flanges | max. temp.     | suitable mounting kit |
|----------|----------------------|----------------|-----------------------|
| di300125 | DN100 PN16/ 4"       | +85°C (185°F)  | zu107000              |
| di300108 | DN100 PN16/ 4"       | +250°C (482°F) | zu107000              |
| di300127 | 2"/ 3" 150lbs        | +85°C (185°F)  | zu107000              |
| di300128 | 2"/ 3" 150lbs        | +250°C (482°F) | zu107000              |

## NB 3000 Spare parts

### Rope roller (rope rolls are supplied with an assembly set for proper mounting)

|                 |  |
|-----------------|--|
| <b>sl102243</b> | Rope roller with 30 m rope (13 mm* rope chamber) Process temperature max. 80°C |
| <b>sl102240</b> | Rope roller with 30 m rope (33 mm* rope chamber) Process temperature max. 80°C |
| <b>sl102242</b> | Rope roller with 30 m rope for increased corrosion resistance (plastic coated) |

\*For safe function 13 mm and 33 mm rope chamber must be substituted only by the same type.

### Tape roller (tape rolls are supplied with an assembly set for proper mounting)

|                 |                            |
|-----------------|----------------------------|
| <b>sb102240</b> | Tape roller with 40 m tape |
|-----------------|----------------------------|

### Sensor weights

All sensor weights are delivered incl. mounting set for proper fixing to the rope/tape and excl. rope/tape

#### Solid measurement

|                 |                             |   |
|-----------------|-----------------------------|---|
| <b>sl102220</b> | Sensor weight for rope      | PVC without pin   |
| <b>sl102221</b> | Sensor weight for rope      | PVC with pin  |
| <b>sl102222</b> | Sensor weight for rope      | Stainless steel $\varnothing 75$ mm ( $\varnothing 3.0$ " )   |
| <b>sl102228</b> | Sensor weight for rope      | Stainless steel $\varnothing 42$ mm ( $\varnothing 1.65$ " ) not for rope version with flange DN100/ 4" |
| <b>sl102223</b> | Sensor weight for tape      | Claw  |
| <b>sl102224</b> | Sensor weight for rope      | Folding cover   |
| <b>sl102225</b> | Sensor weight for rope      | Spider  |
| <b>sl102226</b> | Sensor weight for rope      | Bag   |
| <b>sl102227</b> | Sensor weight for rope      | Float   |
| <b>sb102221</b> | Sensor weight for tape 40 m | PVC with pin  |
| <b>sb102222</b> | Sensor weight for tape 40 m | Stainless steel   |
| <b>sb102223</b> | Sensor weight for tape 40 m | Claw  |
| <b>sb102224</b> | Sensor weight for tape 40 m | Folding cover   |
| <b>sb102225</b> | Sensor weight for tape 40 m | Spider  |
| <b>sb102226</b> | Sensor weight for tape 40 m | Bag   |
| <b>sb102227</b> | Sensor weight for tape 40 m | Float   |

#### Interface measurement

|                 |                        |                     |
|-----------------|------------------------|---------------------|
| <b>sl102230</b> | Sensor weight for rope | PVC with metal core |
| <b>sb102230</b> | Sensor weight for tape | Stainless steel     |

### Mounting set without sensor weights

|                 |                       |
|-----------------|-----------------------|
| <b>sl100270</b> | For rope version 80°C |
| <b>zu108030</b> | For tape version      |

### Motor

|                 |                         |
|-----------------|-------------------------|
| <b>gm102202</b> | Motor standard version  |
| <b>gm102211</b> | Motor brushless version |

### Electronics

|                 |             |                        |            |             |  |
|-----------------|-------------|------------------------|------------|-------------|--|
| <b>pl102691</b> | Electronics | 98 .. 253 V 50 -60 Hz  | 0/ 4-20 mA | Modbus      | Relay counting pulse (5 cm 10 cm 1/6 ft 1/3 ft)      |
| <b>pl102690</b> | Electronics | 98 .. 253 V 50 - 60 Hz | 0/ 4-20 mA | Modbus      | Electr. counting pulse (1 cm 2.5 cm 1/20ft 1/10 ft)  |
| <b>pl102692</b> | Electronics | 98 .. 253 V 50 - 60 Hz | 0/ 4-20 mA | Profibus DP | Relay counting pulse (5 cm 10 cm 1/6 ft 1/3 ft)      |
| <b>pl102696</b> | Electronics | 20 .. 28 V DC          | 0/ 4-20 mA | Modbus      | Relay counting pulse (5 cm 10 cm 1/6 ft 1/3 ft)      |
| <b>pl102695</b> | Electronics | 20 .. 28 V DC          | 0/ 4-20 mA | Modbus      | Electr. counting pulse (1 cm 2.5 cm 1/20 ft 1/10 ft) |
| <b>pl102697</b> | Electronics | 20 .. 28 V DC          | 0/ 4-20 mA | Profibus DP | Relay counting pulse (5 cm 10 cm 1/6 ft 1/3 ft)      |

**Required information:** Rope or Tape version. Evt. further menu presettings.

### Internal Heater

|                 |          |   |
|-----------------|----------|---|
| <b>em100372</b> | 220 Ohms | For power supply 98 .. 253 V 50 - 60 Hz |
| <b>em100371</b> | 8 Ohms   | For power supply 20 .. 28 V DC          |

### Weather protection cover

|                 |
|-----------------|
| <b>zu400215</b> |
|-----------------|

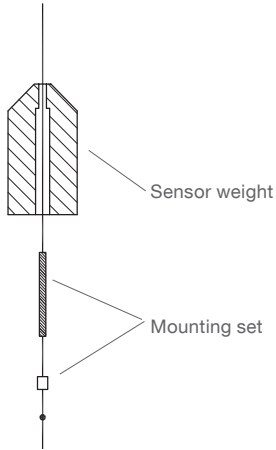


**NB 3000 Spare parts**

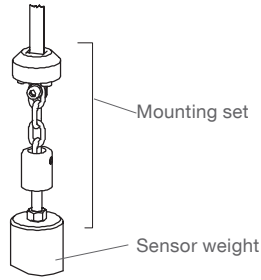
**Sensor weights/ Mounting set**

All sensor weights are delivered including stated parts for proper fixing to the rope/ tape

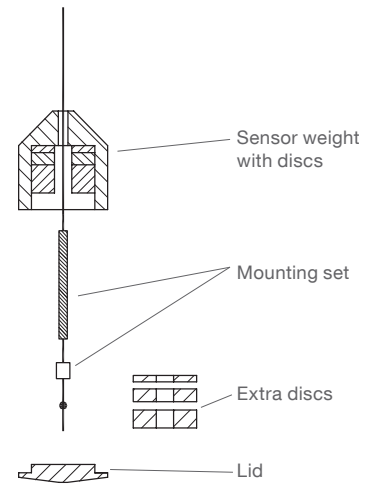
**Solids measurement: rope version**



**Solids measurement: tape version  
Interface measurement: tape version**

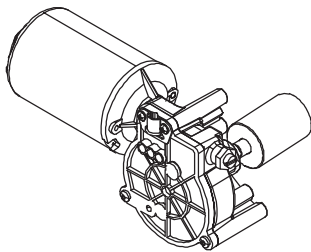


**Interface measurement: rope version**



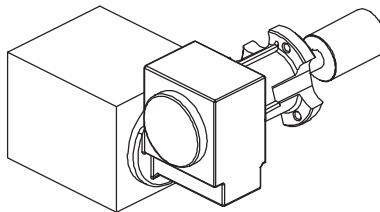
**Motor**

**Standard**

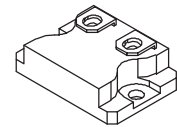


Delivery including: cable, plug, sealing, mounting tools

**Brushless motor**

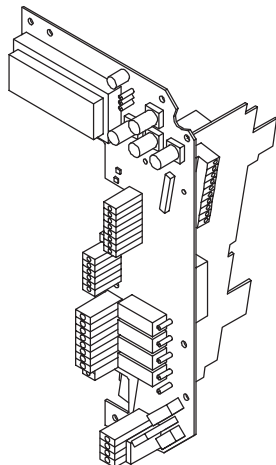


**Heater**

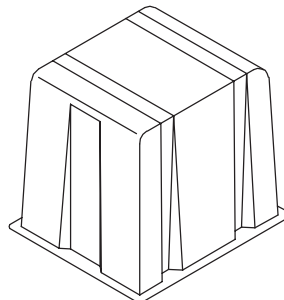


Delivery including cable and plug

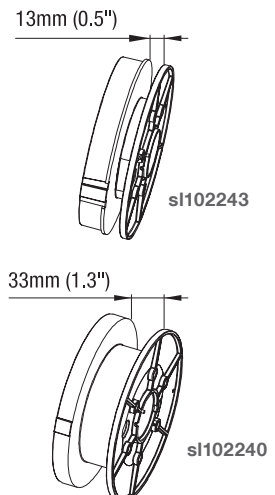
**Electronics**



**Weather protection cover**



**Rope roller**



## NB 4000 Accessories

---

### Fixing material for mounting the unit on a flange

zu107000 4 bolts M16 x 60, 8 washers, 4 nuts. Stainless steel.

### Sealings for mounting the unit on a flange

di300125 Flange sealing for DN100 PN16/ 4" (neoprene)

di300127 Flange sealing for 2"/ 3" 150lbs (neoprene)

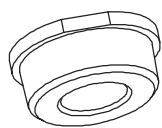
### Adapter NPT 1½" to NPT 3"

zu103100 Thread tapered ANSI B1.20.1, aluminium

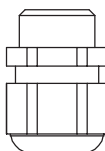
### Cable gland

em400589 Cable gland with 2 inputs. M25 x 1.5, clamping range 2x ø4.5-7 mm, -20 .. +70°C

em400573 Cable gland, M20 x 1.5, clamping range ø6-12 mm, -40 .. +70°C.



Adapter NPT 1½" to NPT 3"



Cable gland with 2 inputs

## NB 4000 Spare parts

**Roller** (Rope/ tape rolls are supplied with an assembly set for proper mounting)

|                 |                            |
|-----------------|----------------------------|
| <b>sl103239</b> | Rope roller with 15 m rope |
| <b>sl103240</b> | Rope roller with 30 m rope |
| <b>sb103239</b> | Tape roller with 15 m tape |
| <b>sb103240</b> | Tape roller with 30 m tape |

### Sensor weights

All sensor weights are delivered incl. mounting parts for proper fixing to the rope/ tape and excl. rope/ tape

**For rope version:**

|                 |                             |
|-----------------|-----------------------------|
| <b>sl103231</b> | PVC without pin             |
| <b>sl103232</b> | PVC with pin                |
| <b>sl103233</b> | Stainless steel without pin |
| <b>sl103234</b> | Stainless steel with pin    |
| <b>sl103235</b> | Folding cover               |

**For tape version:**

|                 |                             |
|-----------------|-----------------------------|
| <b>sb103231</b> | PVC without pin             |
| <b>sb103232</b> | PVC with pin                |
| <b>sb103233</b> | Stainless steel without pin |
| <b>sb103234</b> | Stainless steel with pin    |
| <b>sb103235</b> | Folding cover               |

**Mouting set without sensor weight**

|                 |                  |
|-----------------|------------------|
| <b>sl100280</b> | For rope version |
| <b>zu108030</b> | For tape version |

### Motor

|                 |       |
|-----------------|-------|
| <b>gm103202</b> | Motor |
|-----------------|-------|

### Electronics

|                 |                  |         |                                 |
|-----------------|------------------|---------|---------------------------------|
| <b>pl103690</b> | 230 V 50 - 60 Hz | 4-20 mA | without 2 Relais <sup>(1)</sup> |
| <b>pl103691</b> | 230 V 50 - 60 Hz | 4-20 mA | with 2 Relais <sup>(1)</sup>    |
| <b>pl103696</b> | 230 V 50 - 60 Hz | Modbus  | without 2 Relais <sup>(1)</sup> |
| <b>pl103692</b> | 115 V 50 - 60 Hz | 4-20 mA | without 2 Relais <sup>(1)</sup> |
| <b>pl103693</b> | 115 V 50 - 60 Hz | 4-20 mA | with 2 Relais <sup>(1)</sup>    |
| <b>pl103697</b> | 115 V 50 - 60 Hz | Modbus  | without 2 Relais <sup>(1)</sup> |
| <b>pl103694</b> | 20 .. 28 V DC    | 4-20 mA | without 2 Relais <sup>(1)</sup> |
| <b>pl103695</b> | 20 .. 28 V DC    | 4-20 mA | with 2 Relais <sup>(1)</sup>    |

**Required information:** Rope or Tape version; measuring range 15 m or 30 m; evt. further menu presettings.

### Internal Heater <sup>(2)</sup>

|                 |          |                                   |
|-----------------|----------|-----------------------------------|
| <b>em100373</b> | 680 Ohms | For power supply 230 V 50 - 60 Hz |
| <b>em100374</b> | 220 Ohms | For power supply 115 V 50 - 60 Hz |
| <b>em100375</b> | 8.2 Ohms | For power supply 20 .. 28 V DC    |

### Weather protection cover

|                 |
|-----------------|
| <b>zu400217</b> |
|-----------------|

<sup>(1)</sup> Implements the electronic components needed to control the Internal Heater (needed for option pos.22)

<sup>(2)</sup> Used for replacement for already mounted heater.

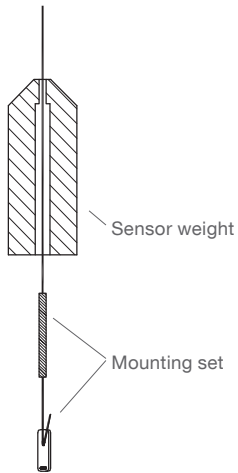
In case of re-fitting the Internal Heater, the electronics must include components for the Internal Heater Control (please contact factory).

## NB 4000 Spare parts

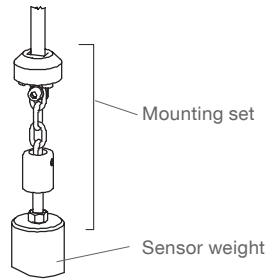
### Sensor weights/ Mounting set

All sensor weights are delivered including stated parts for proper fixing to the rope/ tape

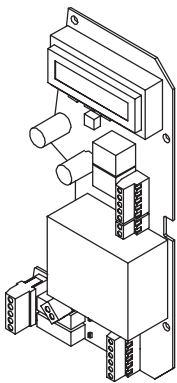
#### Rope version



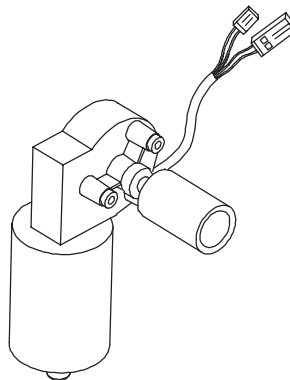
#### Tape version



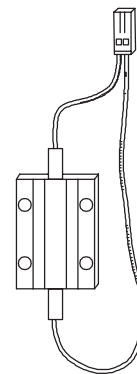
#### Electronics



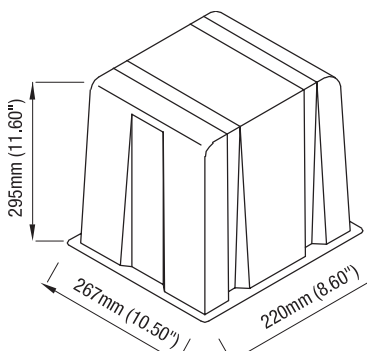
#### Motor



#### Internal heater



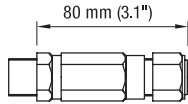
#### Weather protection cover



## NC 8000 Accessories / Spare parts

### Accessories

em440041 Cable gland M20 x 1.5 Ex-d

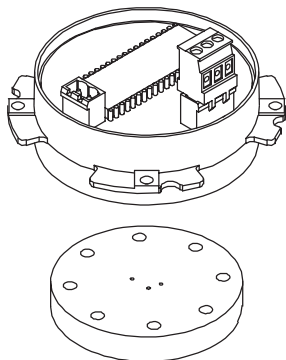


For use with version  
Flameproof ATEX, TR-CU (pos.2 T,L).  
Type: Stahl T3CDS 246560

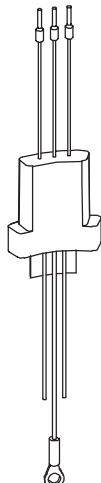
### Spare parts

|   | Fitting to model code    | Spare part Article number |
|---|--------------------------|---------------------------|
| <b>Electronic module</b>  |                          |                           |
| Electronic module 2-wire 4 - 20 mA  | pos.4 A                  | pl440300                  |
| Internal Safety barrier (required for Ex approvals)                                     | pos.4 A pos.2 T,W,U,N,D  | pl440060                  |
| <b>Rope extension kit</b>   |                          |                           |
| 1.4404 (SS316L), including fixing parts.  |                          |                           |
| "L"=1 m (39.4") Rope not PFA coated (rope can be shortened by customer)                 | pos.8 Z pos.9 2          | zu440100                  |
| "L"=5 m (197") Rope not PFA coated (rope can be shortened by customer)                  | pos.8 Z pos.9 2          | zu440110                  |
| "L"=10 m (394") Rope not PFA coated (rope can be shortened by customer)                 | pos.8 Z pos.9 2          | zu440120                  |
| "L"=20 m (787") Rope not PFA coated (rope can be shortened by customer)                 | pos.8 Z pos.9 2          | zu440130                  |
| "L"=1 m (39.4") Rope PFA coated (rope can <u>not</u> be shortened by customer)          | pos.8 Z pos.9 3          | zu440300                  |
| "L"=5 m (197") Rope PFA coated (rope can <u>not</u> be shortened by customer)           | pos.8 Z pos.9 3          | zu440310                  |
| "L"=10 m (394") Rope PFA coated (rope can <u>not</u> be shortened by customer)          | pos.8 Z pos.9 3          | zu440320                  |
| "L"=20 m (787") Rope PFA coated (rope can <u>not</u> be shortened by customer)          | pos.8 Z pos.9 3          | zu440330                  |
| <b>Rope weight</b>  |                          |                           |
| Single part, 1.4404 (SS316L), for use with rope versions (for not PFA coated rope only) | pos.8 Z pos.9 2          | zu440350                  |
| <b>Mounting eye</b>   |                          |                           |
| Single part, 1.4404 (SS316L), for use with rope versions (for PFA coated rope only)     | pos.8 Z pos.9 3 pos.18 x | zu440360                  |

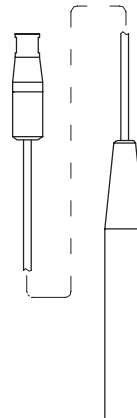
Electronic module



Internal Safety barrier



Rope extension kit



Rope weight



Mounting eye



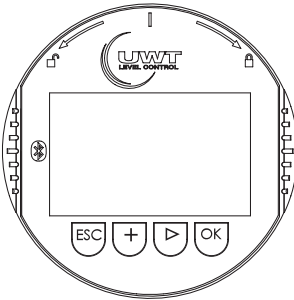
## NG 3000 / NG 8000 Accessories

---

pl400510 **Display and Adjustment Module** (plug on)

zu400530 **HART Modem**  
USB HART interface to connect a PC with the NG 3000, for commissioning and servicing.

**Display and Adjustment Module**



**HART Modem**



## NR 3000 Spare parts

|                 |  |
|-----------------|--|
| <b>zu400500</b> | <b>Adapter M20 x 1.5 to NPT 1/2" conduit</b>   |
| <b>zu400510</b> | <b>Sun shield cover</b><br>stainless steel 1.4301/ 304   |
| <b>zu400520</b> | <b>Non return valve</b><br>For purge inlet. Stainless steel. Connection of 6mm tube diameter. Opens at ca. 0.5 bar (7.25 psi). |
| <b>zu400530</b> | <b>HART Modem</b><br>USB HART Interface to connect a PC with the NR 3000 for commissioning and servicing.                      |

### Protector plate for sensor lense

Protection of the lense against condensation, dust, buildup, crystallisation.  
Mounting between unit flange and silo flange.  
Material PTFE. Available up to 100°C, 0,5bar, 40m range. Not in combination with Non return valve.

|                 |                              |
|-----------------|------------------------------|
| <b>zu400450</b> | Fitting to flange 80 mm/ 3"  |
| <b>zu400451</b> | Fitting to flange 100 mm/ 4" |
| <b>zu400452</b> | Fitting to flange 150 mm/ 6" |

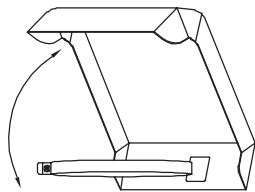
### Fixing material for mounting the unit on a flange

|                 |   |
|-----------------|---|
| <b>zu107010</b> | 8 bolts M16 x 60, 16 washers, 8 nuts. Stainless steel. Fitting for 80 mm/ 3" and 100 mm/ 4" flanges |
| <b>zu107020</b> | 8 bolts M20 x 60, 16 washers, 8 nuts. Stainless steel. Fitting for 150 mm/ 6" flanges               |

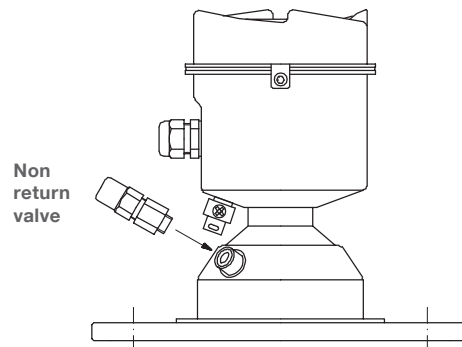
### Sealings for mounting the unit on a flange

Flange sealing fitting for plane flange or Easy Aimer flange, EN 1092-1 (PN16), ASME B16.5 (150 lb), JIS 2220 (10K)  
Material AFM30, max. 250°C

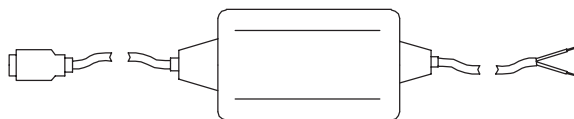
|                 |            |
|-----------------|------------|
| <b>di300135</b> | 80 mm/ 3"  |
| <b>di300136</b> | 100 mm/ 4" |
| <b>di300137</b> | 150 mm/ 6" |



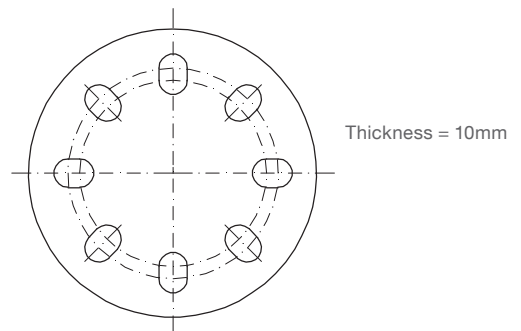
Sun protection cover



Non return valve



HART Modem



Thickness = 10mm

Protector plate for sensor lense

## NR 3000 Spare parts

### Spare parts

Spare part  
Article number

#### Electronics

|   |          |
|---|----------|
| Plug on display                                 | pl400500 |
| Electronic module, measurement range max. 40 m  | pl400501 |
| Electronic module, measurement range max. 100 m | pl400502 |

#### Sealings

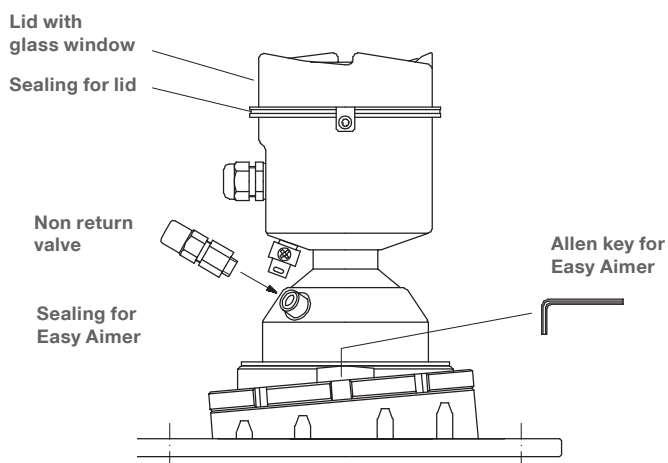
|                 |          |
|-----------------|----------|
| Sealing for lid | zu400505 |
|-----------------|----------|

#### Housing

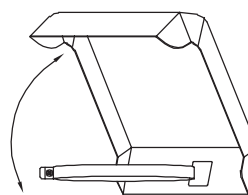
|  |          |
|--|----------|
| Lid with glas window                               | zu400509 |
| Sun protection cover (stainless steel 1.4301/ 304) | zu400510 |

#### Diverse

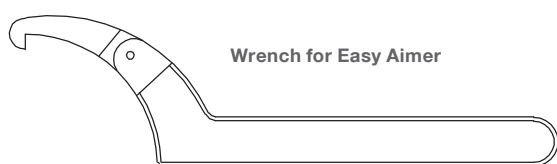
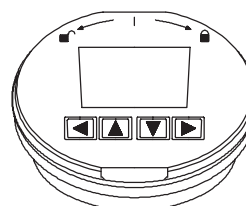
|   |          |
|---|----------|
| Non return valve  | zu400520 |
| Wrench for 100 mm/ 4" and 150 mm/ 6" Easy Aimer         | zu400521 |
| Allen key 3 mm for 100 mm/ 4" and 150 mm/ 6" Easy Aimer | zu400522 |



Sun protection cover



Plug on display





**NR 4000 Accessories**

Material for mounting

**Mounting bracket <sup>(1)</sup>**

Material 1.4404 (316L). Required counter nut G 1" made of plastics PP is included in sensor NR 4100  
 Incl.: 4 screws ø6 x 40 mm, washers, dowel ø8 x 40 mm  
 Suitable for installation with Ex-applications <sup>(3)</sup>

|          |  |                |
|----------|--|----------------|
| zu400454 | Mounting bracket, vertically rotatable | L=80mm (3.2")  |
| zu400455 | Mounting bracket, vertically rotatable | L=200mm (7.9") |

**Mounting plate rectangular <sup>(1)</sup>**

Process pressure max. 0,1 bar (1.45 psi).  
 Required counter nut G 1" made of plastics PP is included in sensor NR 4100  
 Incl. flat sealing between mounting plate and G 1" process connection  
 Not intendend for installation with Ex-applications

|          | Mounting plate rectangular: | Material:     | Fitting screws for counter flange (not included): |
|----------|-----------------------------|---------------|---|
| zu400461 | Fitting to DN80 / 3"        | 1.4404 (316L) | M16x60 (4 pieces)                                 |
| zu400462 | Fitting to DN100 / 4"       | 1.4404 (316L) | M16x60 (4 pieces)                                 |
| zu400463 | Fitting to DN150 / 6"       | 1.4404 (316L) | M20x80 (4 pieces)                                 |

**Mounting flange rectangular <sup>(1) (2)</sup>**

Temperature range -40 ... 80 °C (-40 ... 176 °F), process pressure max. 0,1 bar (1.45 psi)

Incl. flat sealing between mounting plate and G 1" process connection  
 Not intendend for installation with Ex-applications

|          | Mounting flange rectangular: | Material: | Fitting screws for counter flange (not included): |
|----------|------------------------------|-----------|---|
| zu400465 | Fitting to DN80 / 3"         | PP        | M16x60 (4 pieces)                                 |
| zu400466 | Fitting to DN100 / 4"        | PP        | M16x60 (4 pieces)                                 |
| zu400467 | Fitting to DN150 / 6"        | PP        | M20x80 (4 pieces)                                 |

**Aiming flange**

For aiming of the antenna in solids  
 Temperature range -40 ... 80 °C (-40 ... 176 °F), process pressure max. 0,1 bar (1.45 psi)  
 Not intendend for installation with Ex-applications

|          | Aiming flange:        | Female thread: | Material: | Fitting screws for counter flange (not included): |
|----------|-----------------------|----------------|-----------|---|
| zu400470 | Fitting to DN80 / 3"  | G 1"           | PP GF30   | M16x60 (4 pieces)                                 |
| zu400471 | Fitting to DN100 / 4" | G 1"           | PP GF30   | M16x60 (4 pieces)                                 |
| zu400472 | Fitting to DN80 / 3"  | NPT 1"         | PP GF30   | M16x60 (4 pieces)                                 |
| zu400473 | Fitting to DN100 / 4" | NPT 1"         | PP GF30   | M16x60 (4 pieces)                                 |

**Standard flange <sup>(1) (2)</sup>**

DN flanges: type A (flat faced) , ASME flanges: raised face  
 Suitable for installation with Ex-applications <sup>(3)</sup>

|          | Flange:               | Material:     | Fitting screws for counter flange (not included): |
|----------|-----------------------|---------------|---|
| zu400480 | DN80 PN6, EN 1092-1   | 1.4541 (321)  | M16x60 (4 pieces)                                 |
| zu400481 | DN80 PN6, EN 1092-1   | 1.4404 (316L) | M16x60 (4 pieces)                                 |
| zu400482 | DN80 PN16, EN 1092-1  | 1.4541 (321)  | M16x60 (8 pieces)                                 |
| zu400483 | DN80 PN16, EN 1092-1  | 1.4404 (316L) | M16x60 (8 pieces)                                 |
| zu400484 | DN100 PN6, EN 1092-1  | 1.4541 (321)  | M16x60 (4 pieces)                                 |
| zu400485 | DN100 PN6, EN 1092-1  | 1.4404 (316L) | M16x60 (4 pieces)                                 |
| zu400486 | DN100 PN16, EN 1092-1 | 1.4541 (321)  | M16x60 (8 pieces)                                 |
| zu400487 | DN100 PN16, EN 1092-1 | 1.4404 (316L) | M16x60 (8 pieces)                                 |
| zu400488 | DN150 PN6, EN 1092-1  | 1.4541 (321)  | M16x60 (8 pieces)                                 |
| zu400489 | DN150 PN6, EN 1092-1  | 1.4404 (316L) | M16x60 (8 pieces)                                 |
| zu400490 | DN150 PN16, EN 1092-1 | 1.4541 (321)  | M20x80 (8 pieces)                                 |
| zu400491 | DN150 PN16, EN 1092-1 | 1.4404 (316L) | M20x80 (8 pieces)                                 |
| zu400494 | 3" 150lbs ASME B16.5  | 1.4541 (321)  | M16x100 (4 pieces)                                |
| zu400495 | 3" 150lbs ASME B16.5  | 1.4404 (316L) | M16x100 (4 pieces)                                |
| zu400496 | 4" 150lbs ASME B16.5  | 1.4541 (321)  | M16x100 (8 pieces)                                |
| zu400497 | 4" 150lbs ASME B16.5  | 1.4404 (316L) | M16x100 (8 pieces)                                |
| zu400498 | 6" 150lbs ASME B16.5  | 1.4541 (321)  | M20x80 (8 pieces)                                 |
| zu400499 | 6" 150lbs ASME B16.5  | 1.4404 (316L) | M20x80 (8 pieces)                                 |

**NR 4000 Accessories**

**Screws for flange fixing**

Suitable for installation with Ex-applications <sup>(3)</sup>

|          |           | Screws:  | Nuts:    | Washers:  | Material:       |
|----------|-----------|----------|----------|-----------|-----------------|
| zu107002 | M12 x 60  | 4 pieces | 4 pieces | 8 pieces  | Stainless steel |
| zu107000 | M16 x 60  | 4 pieces | 4 pieces | 8 pieces  | Stainless steel |
| zu107010 | M16 x 60  | 8 pieces | 8 pieces | 16 pieces | Stainless steel |
| zu107011 | M16 x 100 | 4 pieces | 4 pieces | 8 pieces  | Stainless steel |
| zu107012 | M16 x 100 | 8 pieces | 8 pieces | 16 pieces | Stainless steel |
| zu107020 | M20 x 60  | 8 pieces | 8 pieces | 16 pieces | Stainless steel |
| zu107018 | M20 x 80  | 4 pieces | 4 pieces | 8 pieces  | Stainless steel |
| zu107019 | M20 x 80  | 8 pieces | 8 pieces | 16 pieces | Stainless steel |

**Flange sealings**

Fitting to mounting plates, mounting flanges, standard flanges EN 1092-1 (PN6, PN16), ASME B16.5 (150 lbs)

Temperature range -40 ... 200 °C (-40 ... 392 °F)

Not intended for installation with Ex-applications

|          | Flange sealing: | Material: |
|----------|-----------------|-----------|
| di300145 | DN80 / 3"       | AFM30     |
| di300123 | DN80 / 3"       | Silicone  |
| di300146 | DN100 / 4"      | AFM30     |
| di300124 | DN100 / 4"      | Silicone  |
| di300147 | DN150 / 6"      | AFM30     |
| di300126 | DN150 / 6"      | Silicone  |

<sup>(1)</sup> Fitting to process connection NR 4100 with thread G 1" DIN ISO 228-1 (Pos.6 D).

<sup>(2)</sup> Flanges are delivered with thread G 1". They are threaded on the G 1" process connection of NR 4100. Sealing between flange and G 1" process connection is done by a flat sealing (included).

<sup>(3)</sup> Mounting with Ex applications: The components must be professionally mounted and installed in accordance with the manufacturer specification and the applicable national regulations, e.g. planning and installation in accordance with IEC/EN 60079-14.

**Complementary products (from outside companies)**

**Terminal box / Conduct connector for extension of NR 4100 connection cable**

Including 2 cable glands and connecting terminals

| Possible manufacturer | Product           | Series  | Type                 | Protection method | For mounting in Ex area |
|-----------------------|-------------------|---------|----------------------|-------------------|-------------------------|
| Steute                | Terminal box      | Ex AD   | Ex AD 85 e MK4 3xM20 | Ex t              | Zone 21                 |
|                       |                   |         | Ex AD 85 i MK4 3xM20 | Ex i              | Zone 1                  |
| Stahl                 | Terminal box      | 8102    | 8102/21-32           | Ex t              | Zone 21                 |
|                       |                   |         | 8102/22-32           | Ex i              | Zone 1                  |
| Bartec                | Terminal box      | 07-53   | 07-5311-9014         | Ex t              | Zone 21                 |
|                       |                   |         | 07-5312-9014         | Ex i              | Zone 1                  |
| Phoenix Contact       | Conduct connector | Quickon | 1414696              | IP66/68           | -                       |

**Isolated barrier**

Connection to NR 4100 with protection method Intrinsically Safe.

Supply 18-30V DC, interface 4-20mA/4-20mA, galvanic isolation

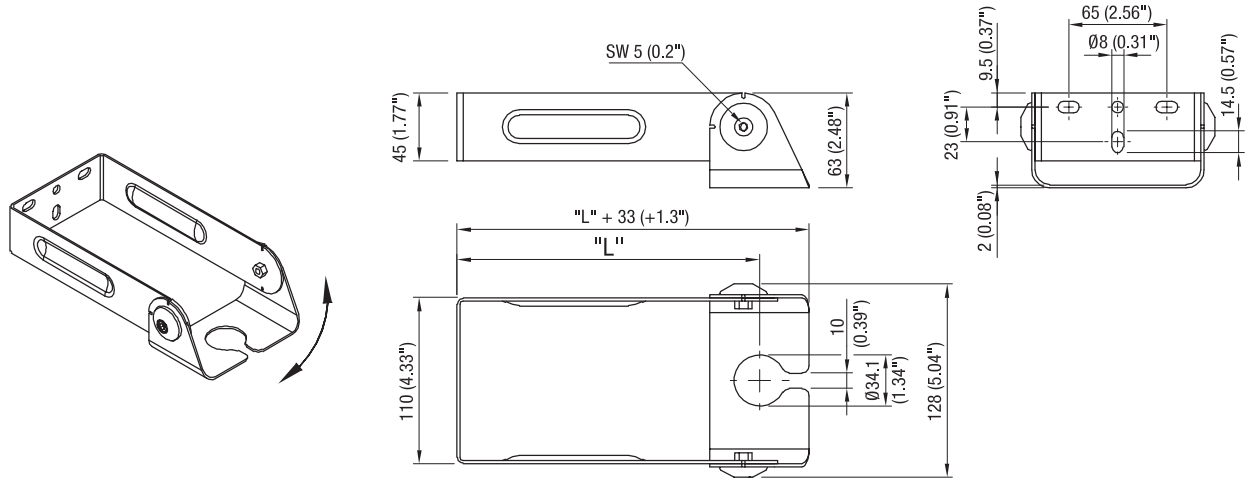
| Possible manufacturer | Product / series                                     | Type          | Amount of channels | Protection method        | Ex ratings for connection NR 4100 (field side)                         |
|-----------------------|--|---------------|--------------------|--------------------------|--|
| Pepperl+Fuchs         | Isolated barrier, K-System, Transmitter Power Supply | KCD2-STC-Ex1  | 1                  | [Ex ia Ga]<br>[Ex ia Da] | U <sub>0</sub> =25,2 V I <sub>0</sub> =100 mA<br>P <sub>0</sub> =630mW |
|                       |  | KFD2-STC5-Ex2 | 2                  | [Ex ia Ga]<br>[Ex ia Da] | U <sub>0</sub> =26,2 V I <sub>0</sub> =115 mA<br>P <sub>0</sub> =784mW |

**NR 4000 Accessories**

**Mounting bracket**

**Mounting bracket, vertically rotatable**

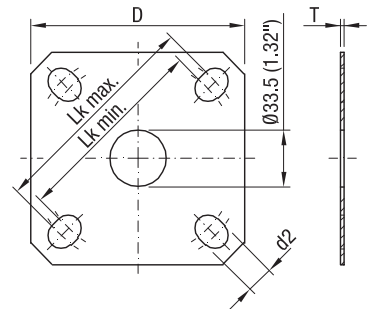
Article number: zu400454, zu400455



**Mounting plate**

**Mounting plate rectangular, 1.4404 (316L), 2 .. 3mm (0.08 .. 0.12")**

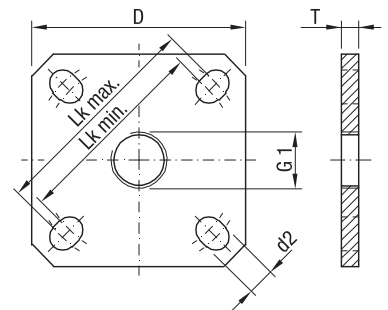
| Article-number | d2 mm (Inch) | Lk min. mm (Inch) | Lk max. mm (Inch) | D mm (Inch)  | T (thickness) mm (Inch) | Fitting to counter flanges  |
|----------------|--------------|-------------------|-------------------|--------------|-------------------------|---|
| zu400461       | 19,1 (0.75)  | 150,0 (5.90)      | 160,0 (6.3)       | 150,0 (5.90) | 2 (0.08)                | DN80 PN6 EN 1092-1<br>DN80 PN16 EN 1092-1<br>3" ASME B16.5 150 lb   |
| zu400462       | 19,1 (0.75)  | 170,0 (6.69)      | 190,5 (7.5)       | 170,0 (6.69) | 2 (0.08)                | DN100 PN6 EN 1092-1<br>DN100 PN16 EN 1092-1<br>4" ASME B16.5 150 lb |
| zu400463       | 21,0 (0.82)  | 225,0 (8.86)      | 241,3 (9.5)       | 215,0 (8.46) | 3 (0.12)                | DN150 PN6 EN 1092-1<br>DN150 PN16 EN 1092-1<br>6" ASME B16.5 150 lb |



**Mounting flange**

**Mounting flange rectangular, PP, 10 .. 18mm (0.39 .. 0.71")**

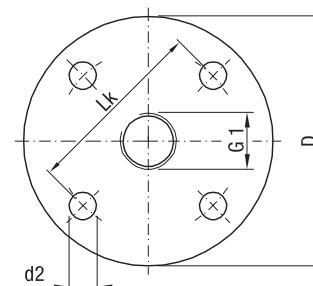
| Article-number | d2 mm (Inch) | Lk min. mm (Inch) | Lk max. mm (Inch) | D mm (Inch)  | T (thickness) mm (Inch) | Fitting to counter flanges  |
|----------------|--------------|-------------------|-------------------|--------------|-------------------------|---|
| zu400465       | 19,1 (0.75)  | 150,0 (5.90)      | 160,0 (6.3)       | 150,0 (5.90) | 10...12 (0.39...0.47)   | DN80 PN6 EN 1092-1<br>DN80 PN16 EN 1092-1<br>3" ASME B16.5 150 lb   |
| zu400466       | 19,1 (0.75)  | 170,0 (6.69)      | 190,5 (7.5)       | 170,0 (6.69) | 10...12 (0.39...0.47)   | DN100 PN6 EN 1092-1<br>DN100 PN16 EN 1092-1<br>4" ASME B16.5 150 lb |
| zu400467       | 21,0 (0.82)  | 225,0 (8.86)      | 241,3 (9.5)       | 215,0 (8.46) | 15...18 (0.59...0.71)   | DN150 PN6 EN 1092-1<br>DN150 PN16 EN 1092-1<br>6" ASME B16.5 150 lb |



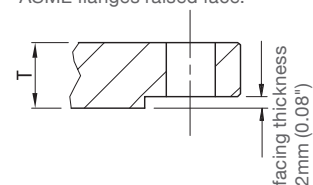
NR 4000 Accessories

Standard flange

| Article-number | Type            | Number of holes | d2<br>mm (Inch) | Lk<br>mm (Inch) | D<br>mm (Inch) | T<br>(thickness)<br>mm (Inch) |
|----------------|-----------------|-----------------|-----------------|-----------------|----------------|-------------------------------|
| zu400480/ -481 | DN80 PN6        | 4               | 18,0 (0.71)     | 150,0 (5.91)    | 190,0 (7.48)   | 16,0 (0.63)                   |
| zu400482/ -483 | DN80 PN16       | 8               | 18,0 (0.71)     | 160,0 (6.3)     | 200,0 (7.87)   | 20,0 (0.79)                   |
| zu400484/ -485 | DN100 PN6       | 4               | 18,0 (0.71)     | 170,0 (6.69)    | 210,0 (8.27)   | 16,0 (0.63)                   |
| zu400486/ -487 | DN100 PN16      | 8               | 18,0 (0.71)     | 180,0 (7.09)    | 220,0 (8.66)   | 20,0 (0.79)                   |
| zu400488/ -489 | DN150 PN6       | 8               | 18,0 (0.71)     | 225 (8.85)      | 265 (10.43)    | 18,0 (0.71)                   |
| zu400490/ -491 | DN150 PN16      | 8               | 22,0 (0.87)     | 240,0 (9.45)    | 285,0 (11.2)   | 22,0 (0.87)                   |
| zu400494/ -495 | ASME 3" 150 lbs | 4               | 19,1 (0.75)     | 152,4 (6.01)    | 190,5 (7.5)    | 23,9 (0.94)                   |
| zu400496/ -497 | ASME 4" 150 lbs | 8               | 19,1 (0.75)     | 190,5 (7.5)     | 228,6 (9.0)    | 23,9 (0.94)                   |
| zu400498/ -499 | ASME 6" 150 lbs | 8               | 22,2 (0.87)     | 241,3 (9.5)     | 279,4 (11.0)   | 25,4 (1.0)                    |



ASME flanges raised face:



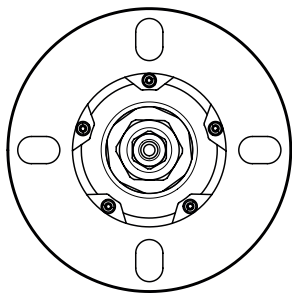
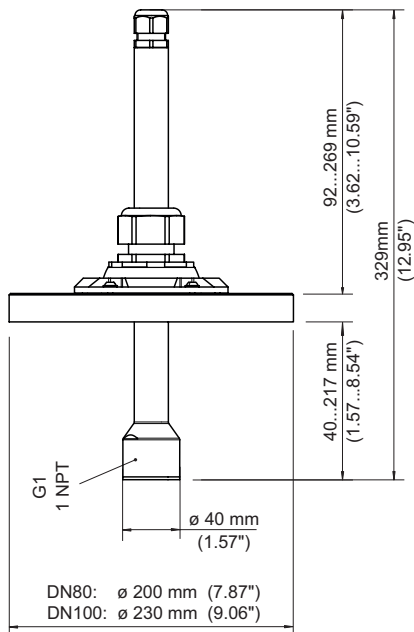
DN flanges: EN 1092-1 type A, flat faced  
 ASME flanges: B16.5 raised face

NR 4000 Accessories

Aiming flange

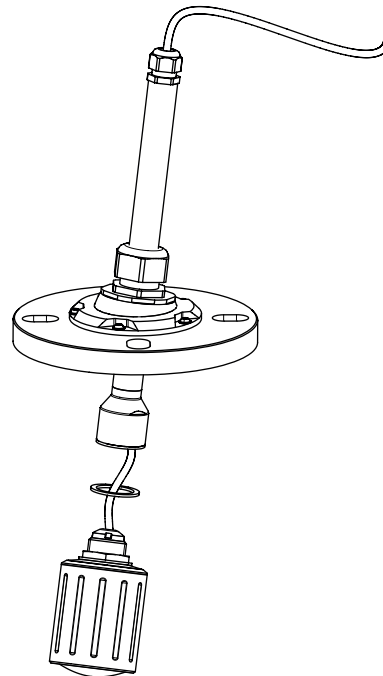
| Aiming flange Article-number | Fitting to counter flanges                         | Female thread to fix NR 4100 | Fitting NR 4100                           |
|------------------------------|--|------------------------------|---|
| zu400470                     | DN80 PN6 - PN40 EN 1092-1<br>3" ASME B16.5 150 lb  | G1"                          | With tread G 1" DIN ISO 228-1 (Pos.6 D)   |
| zu400471                     | DN100 PN6 - PN16 EN 1092-1<br>4" ASME B16.5 150 lb | G1"                          | With tread G 1" DIN ISO 228-1 (Pos.6 D)   |
| zu400472                     | DN80 PN6 - PN40 EN 1092-1<br>3" ASME B16.5 150 lb  | NPT 1"                       | With tread NPT 1" ANSI B 1.20.1 (Pos.6 E) |
| zu400473                     | DN100 PN6 - PN16 EN 1092-1<br>4" ASME B16.5 150 lb | NPT 1"                       | With tread NPT 1" ANSI B 1.20.1 (Pos.6 E) |

Aiming flange



The aiming flange allows to continuously adjust an angle from 0° bis 13°. The vertical adjustment varies between 0 to 177mm (7.0").

Mounting



1. Loosen and remove the counter nut delivered with the sensor. The counter nut is no longer required.
2. Thread the enclosed seal (only with G-thread) onto the connecting cable and place the seal on the sensor.
3. Feed the sensor connecting cable completely through the tube of the alignment device.
4. Screw in the sensor (torque: maximum 5 Nm).
5. Tighten the upper cable gland.
6. Place and fix the alignment device on the tank flange. Make sure that the seal is sitting correctly.
7. Set the vertical position of the sensor:  
Loosen the lower cable gland, shift the tube and re-tighten the lower cable gland.
8. Set the angle of the sensor:  
Loosen the screw, set the angle of the sensor and re-tighten the screws. Always tighten the diagonally opposite screws alternately. This prevents uneven load distribution.

## NR 7000 Accessories

### Material for mounting

#### Mounting bracket <sup>(1)</sup>

Material 1.4404 (316L).

Incl.: Counter nut G 1 1/2" made of PP, 4 screws ø6 x 40 mm, washers, dowel ø8 x 40 mm

Suitable for installation with Ex-applications <sup>(3)</sup>

|          |  |                |
|----------|--|----------------|
| zu400754 | Mounting bracket, vertically rotatable | L=80mm (3.2")  |
| zu400755 | Mounting bracket, vertically rotatable | L=200mm (7.9") |

#### Mounting plate rectangular <sup>(1)</sup>

Process pressure max. 0,1 bar (1.45 psi)

Incl. counter nut G 1 1/2" made of PP and flat sealing betw. mounting plate and G 1 1/2" process connection

Not intended for installation with Ex-applications

|          | Mounting plate rectangular: | Material:     | Fitting screws for counter flange (not included): |
|----------|-----------------------------|---------------|---|
| zu400761 | Fitting to DN80 / 3"        | 1.4404 (316L) | M16x60 (4 pieces)                                 |
| zu400762 | Fitting to DN100 / 4"       | 1.4404 (316L) | M16x60 (4 pieces)                                 |
| zu400763 | Fitting to DN150 / 6"       | 1.4404 (316L) | M20x80 (4 pieces)                                 |

#### Mounting flange rectangular <sup>(1) (2)</sup>

Temperature range -40 ... 80 °C (-40 ... 176 °F), process pressure max. 0,1 bar (1.45 psi)

Not intended for installation with Ex-applications

|          | Mounting flange rectangular: | Material: | Fitting screws for counter flange (not included): |
|----------|------------------------------|-----------|---|
| zu400764 | Fitting to DN50 / 2"         | PP        | M12x60 (4 pieces)                                 |
| zu400765 | Fitting to DN80 / 3"         | PP        | M16x60 (4 pieces)                                 |
| zu400766 | Fitting to DN100 / 4"        | PP        | M16x60 (4 pieces)                                 |
| zu400767 | Fitting to DN150 / 6"        | PP        | M20x80 (4 pieces)                                 |

#### Variable seal <sup>(1)</sup>

For aiming of the antenna in solids.

Temperature range -40 ... 80 °C (-40 ... 176 °F), process pressure max. 0,1 bar (1.45 psi)

Used in combination with mounting flange rectangular

Not intended for installation with Ex-applications

|          | Variable seal:        | Material: | Fitting screws for counter flange (not included): |
|----------|-----------------------|-----------|---|
| zu400772 | Fitting to DN100 PN16 | EPDM      | M14x100 (4 pieces)                                |
| zu400773 | Fitting to DN150 PN16 | EPDM      | M14x100 (4 pieces)                                |

#### Standard flange <sup>(1) (2)</sup>

DN flanges: type A (flat faced) , ASME flanges: raised face

Suitable for installation with Ex-applications <sup>(3)</sup>

|          | Flange:               | Material:     | Fitting screws for counter flange (not included): |
|----------|-----------------------|---------------|---|
| zu400776 | DN50 PN6, EN 1092-1   | 1.4541 (321)  | M12x60 (4 pieces)                                 |
| zu400777 | DN50 PN6, EN 1092-1   | 1.4404 (316L) | M12x60 (4 pieces)                                 |
| zu400778 | DN50 PN16, EN 1092-1  | 1.4541 (321)  | M16x60 (4 pieces)                                 |
| zu400779 | DN50 PN16, EN 1092-1  | 1.4404 (316L) | M16x60 (4 pieces)                                 |
| zu400780 | DN80 PN6, EN 1092-1   | 1.4541 (321)  | M16x60 (4 pieces)                                 |
| zu400781 | DN80 PN6, EN 1092-1   | 1.4404 (316L) | M16x60 (4 pieces)                                 |
| zu400782 | DN80 PN16, EN 1092-1  | 1.4541 (321)  | M16x60 (8 pieces)                                 |
| zu400783 | DN80 PN16, EN 1092-1  | 1.4404 (316L) | M16x60 (8 pieces)                                 |
| zu400784 | DN100 PN6, EN 1092-1  | 1.4541 (321)  | M16x60 (4 pieces)                                 |
| zu400785 | DN100 PN6, EN 1092-1  | 1.4404 (316L) | M16x60 (4 pieces)                                 |
| zu400786 | DN100 PN16, EN 1092-1 | 1.4541 (321)  | M16x60 (8 pieces)                                 |
| zu400787 | DN100 PN16, EN 1092-1 | 1.4404 (316L) | M16x60 (8 pieces)                                 |
| zu400788 | DN150 PN6, EN 1092-1  | 1.4541 (321)  | M16x60 (8 pieces)                                 |
| zu400789 | DN150 PN6, EN 1092-1  | 1.4404 (316L) | M16x60 (8 pieces)                                 |
| zu400790 | DN150 PN16, EN 1092-1 | 1.4541 (321)  | M20x80 (8 pieces)                                 |
| zu400791 | DN150 PN16, EN 1092-1 | 1.4404 (316L) | M20x80 (8 pieces)                                 |
| zu400792 | 2" 150lbs ASME B16.5  | 1.4541 (321)  | M16x60 (4 pieces)                                 |
| zu400793 | 2" 150lbs ASME B16.5  | 1.4404 (316L) | M16x60 (4 pieces)                                 |
| zu400794 | 3" 150lbs ASME B16.5  | 1.4541 (321)  | M16x100 (4 pieces)                                |
| zu400795 | 3" 150lbs ASME B16.5  | 1.4404 (316L) | M16x100 (4 pieces)                                |
| zu400796 | 4" 150lbs ASME B16.5  | 1.4541 (321)  | M16x100 (8 pieces)                                |
| zu400797 | 4" 150lbs ASME B16.5  | 1.4404 (316L) | M16x100 (8 pieces)                                |
| zu400798 | 6" 150lbs ASME B16.5  | 1.4541 (321)  | M20x80 (8 pieces)                                 |
| zu400799 | 6" 150lbs ASME B16.5  | 1.4404 (316L) | M20x80 (8 pieces)                                 |

**NR 7000 Accessories**

**Screws for flange fixing**

Suitable for installation with Ex-applications <sup>(3)</sup>

|          |           | Screws:  | Nuts:    | Washers:  | Material:       |
|----------|-----------|----------|----------|-----------|-----------------|
| zu107002 | M12 x 60  | 4 pieces | 4 pieces | 8 pieces  | Stainless steel |
| zu107005 | M14 x 100 | 4 pieces | 4 pieces | 8 pieces  | Stainless steel |
| zu107000 | M16 x 60  | 4 pieces | 4 pieces | 8 pieces  | Stainless steel |
| zu107010 | M16 x 60  | 8 pieces | 8 pieces | 16 pieces | Stainless steel |
| zu107011 | M16 x 100 | 4 pieces | 4 pieces | 8 pieces  | Stainless steel |
| zu107012 | M16 x 100 | 8 pieces | 8 pieces | 16 pieces | Stainless steel |
| zu107020 | M20 x 60  | 8 pieces | 8 pieces | 16 pieces | Stainless steel |
| zu107018 | M20 x 80  | 4 pieces | 4 pieces | 8 pieces  | Stainless steel |
| zu107019 | M20 x 80  | 8 pieces | 8 pieces | 16 pieces | Stainless steel |

**Flange sealings**

Fitting to mounting plates, mounting flanges, standard flanges EN 1092-1 (PN6, PN16), ASME B16.5 (150 lb)

Temperature range -40 ... 200 °C (-40 ... 392 °F)

Not intended for installation with Ex-applications

|          | Flange sealing: | Material: |
|----------|-----------------|-----------|
| di300134 | DN50 / 2"       | AFM30     |
| di300122 | DN50 / 2"       | Silicone  |
| di300145 | DN80 / 3"       | AFM30     |
| di300123 | DN80 / 3"       | Silicone  |
| di300146 | DN100 / 4"      | AFM30     |
| di300124 | DN100 / 4"      | Silicone  |
| di300147 | DN150 / 6"      | AFM30     |
| di300126 | DN150 / 6"      | Silicone  |

**Hygienic connections (adapter) <sup>(1)</sup>**

Suitable for installation with Ex-applications <sup>(3)</sup>

|          |   |
|----------|---|
| zu400705 | Triclamp DN50 (2") DIN 32676 Type A (DIN 11851), DIN 32676 Type C (ASME BPE 2009), 1.4404 (316L)      |
| zu400706 | Triclamp DN60,3 (2 1/2") DIN 32676 Type B (DIN 11851), DIN 32676 Type C (ASME BPE 2009), 1.4404(316L) |
| zu400707 | Triclamp DN65 (3") DIN 32676 Type A (DIN 11851), DIN 32676 Type C (ASME BPE 2009), 1.4404 (316L)      |
| zu400708 | Slotted nut DN50 DIN 11851, 1.4404 (316L)   |
| zu400709 | Slotted nut DN65 DIN 11851, 1.4404 (316L)   |

<sup>(1)</sup> Fitting to process connection NR 7000 with thread G 1 1/2" DIN ISO 228-1 (pos.6 A).

<sup>(2)</sup> Flanges are delivered with thread G 1 1/2". They are threaded on the G 1 1/2" process connection of NR 7000.

Sealing between flange and G 1 1/2" process connection is done by a flat sealing (included).

<sup>(3)</sup> Mounting with Ex applications: The components must be professionally mounted and installed in accordance with the manufacturer specification and the applicable national regulations, e.g. planning and installation in accordance with IEC/EN 60079-14.

**Complementary products (from outside companies)**

**Isolated barrier**

Connection to NR 7200 with protection method Intrinsically Safe.

Supply 18-30V DC, interface 4-20mA/4-20mA, galvanic isolation

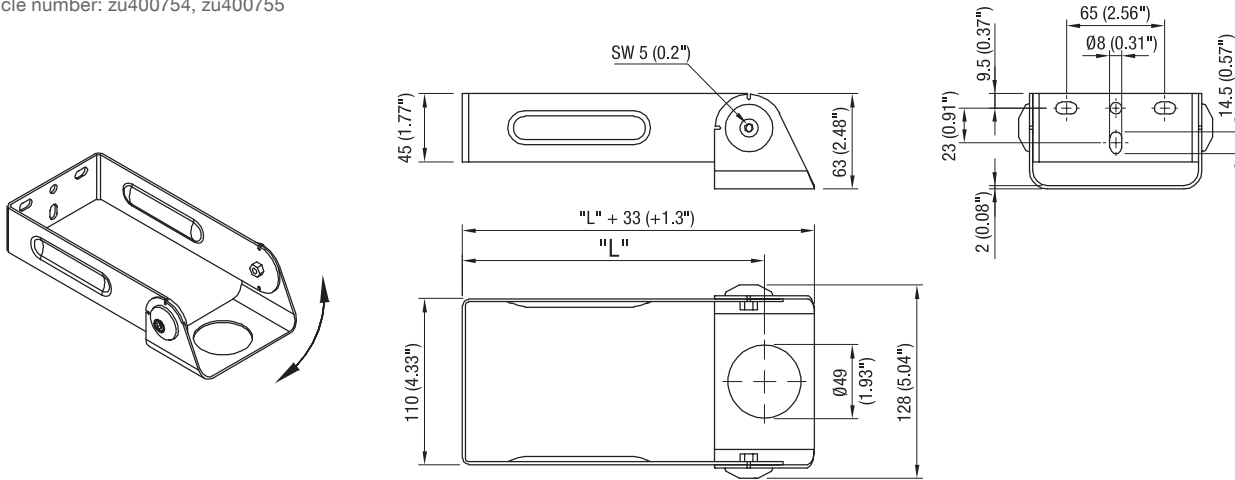
| Possible manufacturer | Product / series                                     | Type          | Amount of channels | Protection method        | Ex ratings for connection NR 7200 (field side)                         |
|-----------------------|--|---------------|--------------------|--------------------------|--|
| Pepperl+Fuchs         | Isolated barrier, K-System, Transmitter Power Supply | KCD2-STC-Ex1  | 1                  | [Ex ia Ga]<br>[Ex ia Da] | U <sub>0</sub> =25,2 V I <sub>0</sub> =100 mA<br>P <sub>0</sub> =630mW |
|                       |  | KFD2-STC5-Ex2 | 2                  | [Ex ia Ga]<br>[Ex ia Da] | U <sub>0</sub> =26,2 V I <sub>0</sub> =115 mA<br>P <sub>0</sub> =784mW |

## NR 7000 Accessories

### Mounting bracket

#### Mounting bracket, vertically rotatable

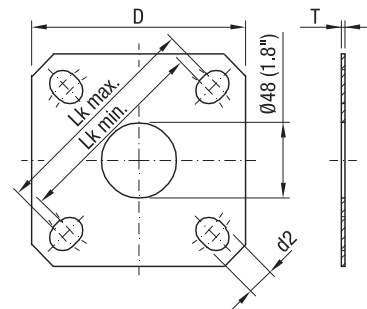
Article number: zu400754, zu400755



### Mounting plate

#### Mounting plate rectangular, 1.4404 (316L), 2 .. 3mm (0.08 .. 0.12")

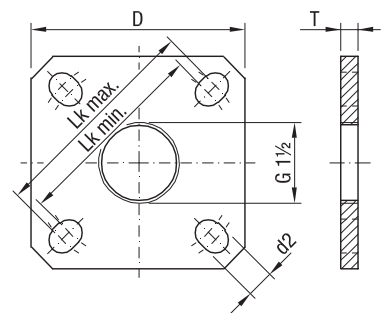
| Article-number | d2<br>mm<br>(Inch) | Lk min.<br>mm<br>(Inch) | Lk max.<br>mm<br>(Inch) | D<br>mm<br>(Inch) | T (thickness)<br>mm<br>(Inch) | Fitting to counter flanges  |
|----------------|--------------------|-------------------------|-------------------------|-------------------|-------------------------------|---|
| zu400761       | 19,1<br>(0.75)     | 150,0<br>(5.90)         | 160,0<br>(6.3)          | 150,0<br>(5.90)   | 2<br>(0.08)                   | DN80 PN6 EN 1092-1<br>DN80 PN16 EN 1092-1<br>3" ASME B16.5 150 lb   |
| zu400762       | 19,1<br>(0.75)     | 170,0<br>(6.69)         | 190,5<br>(7.5)          | 170,0<br>(6.69)   | 2<br>(0.08)                   | DN100 PN6 EN 1092-1<br>DN100 PN16 EN 1092-1<br>4" ASME B16.5 150 lb |
| zu400763       | 21,0<br>(0.82)     | 225,0<br>(8.86)         | 241,3<br>(9.5)          | 215,0<br>(8.46)   | 3<br>(0.12)                   | DN150 PN6 EN 1092-1<br>DN150 PN16 EN 1092-1<br>6" ASME B16.5 150 lb |



### Mounting flange

#### Mounting flange rectangular, PP, 10 .. 18mm (0.39 .. 0.71")

| Article-number | d2<br>mm<br>(Inch) | Lk min.<br>mm<br>(Inch) | Lk max.<br>mm<br>(Inch) | D<br>mm<br>(Inch) | T (thickness)<br>mm<br>(Inch) | Fitting to counter flanges  |
|----------------|--------------------|-------------------------|-------------------------|-------------------|-------------------------------|---|
| zu400764       | 19,1<br>(0.75)     | 110,0<br>(4.33)         | 125,0<br>(4.92)         | 125,0<br>(4.92)   | 10...12<br>(0.39...0.47)      | DN50 PN6 EN 1092-1<br>DN50 PN16 EN 1092-1<br>2" ASME B16.5 (150 lb) |
| zu400765       | 19,1<br>(0.75)     | 150,0<br>(5.90)         | 160,0<br>(6.3)          | 150,0<br>(5.90)   | 10...12<br>(0.39...0.47)      | DN80 PN6 EN 1092-1<br>DN80 PN16 EN 1092-1<br>3" ASME B16.5 150 lb   |
| zu400766       | 19,1<br>(0.75)     | 170,0<br>(6.69)         | 190,5<br>(7.5)          | 170,0<br>(6.69)   | 10...12<br>(0.39...0.47)      | DN100 PN6 EN 1092-1<br>DN100 PN16 EN 1092-1<br>4" ASME B16.5 150 lb |
| zu400767       | 21,0<br>(0.82)     | 225,0<br>(8.86)         | 241,3<br>(9.5)          | 215,0<br>(8.46)   | 15...18<br>(0.59...0.71)      | DN150 PN6 EN 1092-1<br>DN150 PN16 EN 1092-1<br>6" ASME B16.5 150 lb |



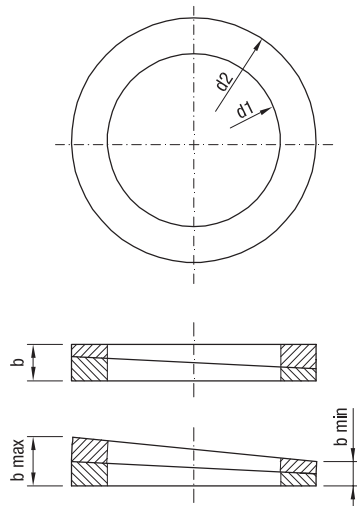


NR 7000 Accessories

Variable seal

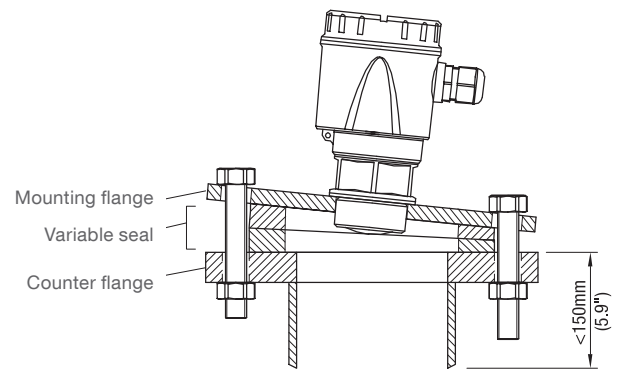
| Variable seal Article number | d1 mm (Inch) | d2 mm (Inch) | b mm (Inch) | b max mm (Inch) | b min mm (Inch) | Fitting Mounting flange rectangular | Fitting to counter flanges |
|------------------------------|--------------|--------------|-------------|-----------------|-----------------|-------------------------------------|----------------------------|
| zu400772                     | 115,0 (4.53) | 162,0 (6.34) | 24 (0.94)   | 33 (1.30)       | 14 (0.55)       | zu400766                            | DN100 PN16 EN 1092-1       |
| zu400773                     | 169,0 (6.65) | 218,0 (8.58) | 27 (1.06)   | 39 (1.54)       | 14 (0.55)       | zu400767                            | DN150 PN16 EN 1092-1       |
| zu400774                     | 115,0 (4.53) | 171,0 (6.73) | 24 (0.94)   | 33 (1.30)       | 14 (0.55)       | zu400766                            | 4" ASME B16.5 150 lb       |
| zu400775                     | 168,0 (6.61) | 219,0 (8.62) | 27 (1.06)   | 39 (1.54)       | 14 (0.55)       | zu400767                            | 6" ASME B16.5 150 lb       |

Variable seal



The variable seal consists of an upper and lower disk which can be rotated against each other. This allows to continuously adjust an angle from 0° to 8°.

Mounting



The variable seal is being clamped between Mounting flange and counter flange.

Fixing torque of the screws 5-10Nm.

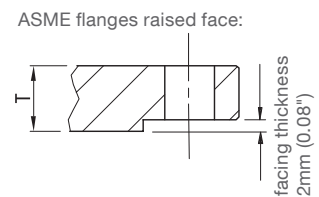
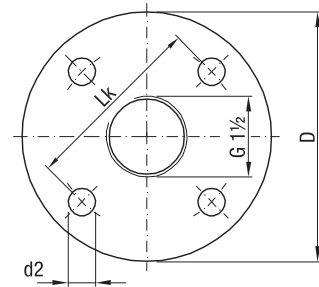
Observe:

- Max. length of socket
- Grease or oil may damage the seal
- Avoid multiple use, this may reduce the tightness

NR 7000 Accessories

Standard flange

| Article-number | Type            | Number of holes | d2 mm (Inch) | Lk mm (Inch) | D mm (Inch)  | T (thickness) mm (Inch) |
|----------------|-----------------|-----------------|--------------|--------------|--------------|-------------------------|
| zu400776/ -777 | DN50 PN6        | 4               | 14,0 (0.55)  | 110,0 (4.33) | 140,0 (5.51) | 14,0 (0.55)             |
| zu400778/ -779 | DN50 PN16       | 4               | 18,0 (0.71)  | 125,0 (4.92) | 165,0 (6.5)  | 18,0 (0.71)             |
| zu400780/ -781 | DN80 PN6        | 4               | 18,0 (0.71)  | 150,0 (5.91) | 190,0 (7.48) | 16,0 (0.63)             |
| zu400782/ -783 | DN80 PN16       | 8               | 18,0 (0.71)  | 160,0 (6.3)  | 200,0 (7.87) | 20,0 (0.79)             |
| zu400784/ -785 | DN100 PN6       | 4               | 18,0 (0.71)  | 170,0 (6.69) | 210,0 (8.27) | 16,0 (0.63)             |
| zu400786/ -787 | DN100 PN16      | 8               | 18,0 (0.71)  | 180,0 (7.09) | 220,0 (8.66) | 20,0 (0.79)             |
| zu400788/ -789 | DN150 PN6       | 8               | 18,0 (0.71)  | 225 (8.85)   | 265 (10.43)  | 18,0 (0.71)             |
| zu400790/ -791 | DN150 PN16      | 8               | 22,0 (0.87)  | 240,0 (9.45) | 285,0 (11.2) | 22,0 (0.87)             |
| zu400792/ -793 | ASME 2" 150 lbs | 4               | 19,1 (0.75)  | 120,7 (4.75) | 152,4 (6.01) | 19,1 (0.75)             |
| zu400794/ -795 | ASME 3" 150 lbs | 4               | 19,1 (0.75)  | 152,4 (6.01) | 190,5 (7.5)  | 23,9 (0.94)             |
| zu400796/ -797 | ASME 4" 150 lbs | 8               | 19,1 (0.75)  | 190,5 (7.5)  | 228,6 (9.0)  | 23,9 (0.94)             |
| zu400798/ -799 | ASME 6" 150 lbs | 8               | 22,2 (0.87)  | 241,3 (9.5)  | 279,4 (11.0) | 25,4 (1.0)              |



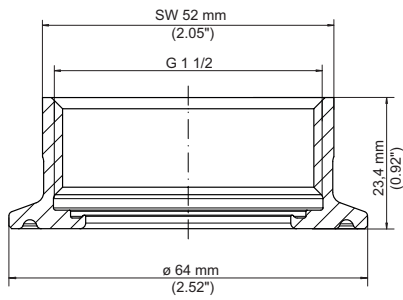
DN flanges: EN 1092-1 type A, flat faced  
 ASME flanges: B16.5 raised face

Hygienic connections (adapter)

Triclamp

Article number: zu400705

DN50 (2")

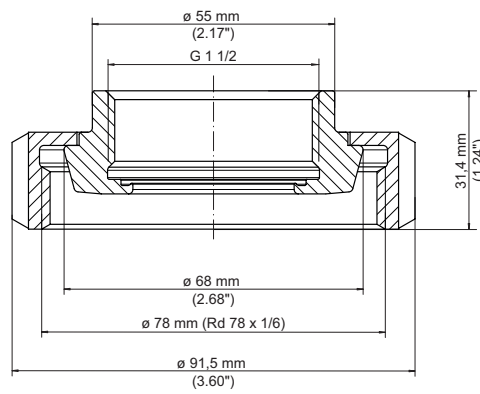


O-ring sealing EPDM  
 -40 .. +80 °C (-40 .. +176 °F)  
 Ra < 0,76um

Slotted nut

Article number: zu400708

DN50

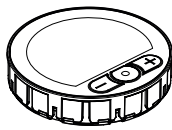


O-ring sealing EPDM  
 -40 .. +80 °C (-40 .. +176 °F)

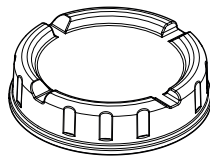
**NR 7000 Spare parts**

|  | Spare part<br>Article number |
|--|------------------------------|
| Plug on Display (for NR 7200)                              | zu400713                     |
| Lid blue (for NR 7100 and NR 7200 without Plug on Display) | zu400714                     |
| Lid transparent (for NR 7200 with Plug on Display)         | zu400715                     |
| Lid sealing (O-Ring)                                       | zu400716                     |
| Counter nur G 1 1 / 2", material PP                        | zu300182                     |

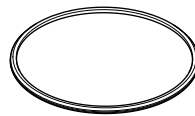
Plug on Display



Lid



Lid sealing



## RF 3000 Spare parts

| Fitting to unit/ model code | Spare part Article number |
|-----------------------------|---------------------------|
|-----------------------------|---------------------------|

### Electronics

|                                |         |          |
|--------------------------------|---------|----------|
| Universal voltage, Relais DPDT | pos.3 L | pl407100 |
|--------------------------------|---------|----------|

### Remote version

|   |          |          |
|---|----------|----------|
| Remote cable (special Triaxial cable), price per 1,000 mm (39.4") | pos.13 x | zu400700 |
| Angle bracket, 1.4301 (304)                                       | pos.14 x | zu400701 |

### Rod extension kit, rigid

|  |          |          |
|--|----------|----------|
| For $\phi 10$ mm ( $\phi 0.39$ " ) rod, length 400 mm (15.7"), 1.4404 (316L) | pos.19 a | zu400710 |
| For $\phi 22$ mm ( $\phi 0.87$ " ) rod, length 400 mm (15.7"), 1.4404 (316L) | pos.19 b | zu400711 |

### Rod extension kit, flexible (pendulum rod)

|   |          |          |
|---|----------|----------|
| For $\phi 10$ mm ( $\phi 0.39$ " ) rod, length 1.000 mm (39.4"), 1.4301/ 1.4305 (304/303) | pos.20 a | zu400720 |
|---|----------|----------|

### Rope extension kit

|  |          |          |
|--|----------|----------|
| For $\phi 10$ mm ( $\phi 0.39$ " ) rod, rope $\phi 4$ mm ( $\phi 0.16$ " ), length 2,000 mm (78.7"), 1.4301/ 1.4305 (304/303)        | pos.21 a | zu400730 |
| For $\phi 10$ mm ( $\phi 0.39$ " ) rod, rope $\phi 4$ mm ( $\phi 0.16$ " ), length 2,000 mm (78.7"), 1.4404 (316L)/ rope 1.4401(316) | pos.21 b | zu400731 |
| For $\phi 22$ mm ( $\phi 0.87$ " ) rod, rope $\phi 8$ mm ( $\phi 0.31$ " ), length 2,000 mm (78.7"), 1.4404 (316L)/ rope 1.4401(316) | pos.21 c | zu400732 |

### Single parts for rope version

|  |                  |          |
|--|------------------|----------|
| Rope $\phi 4$ mm ( $\phi 0.16$ " ), 1.4401 (316), not coated, price per 1,000 mm (39.4") | RF 3100          | zu400740 |
| Rope $\phi 4$ mm ( $\phi 0.16$ " ), 1.4401 (316), coated, price per 1,000 mm (39.4")     | RF 3100          | zu400741 |
| Rope weight $\phi 22$ mm ( $\phi 0.87$ " ), 1.4301/ 1.4305 (304/ 303) *                  | RF 3100          | zu400742 |
| Rope weight $\phi 22$ mm ( $\phi 0.87$ " ), 1.4404 (316L) *                              | RF 3100          | zu400743 |
| Rope holder $\phi 22$ mm ( $\phi 0.87$ " ), 1.4301/ 1.4305 (304/303) *                   | RF 3100          | zu400744 |
| Rope holder $\phi 22$ mm ( $\phi 0.87$ " ), 1.4404 (316L) *                              | RF 3100          | zu400745 |
| Rope $\phi 8$ mm ( $\phi 0.31$ " ), 1.4401 (316), not coated, price per 1,000 mm (39.4") | RF 3200, RF 3300 | zu400746 |
| Rope weight $\phi 35$ mm ( $\phi 1.38$ " ), 1.4301/ 1.4305 (304/ 303) *                  | RF 3200, RF 3300 | zu400747 |
| Rope weight $\phi 35$ mm ( $\phi 1.38$ " ), 1.4404 (316L) *                              | RF 3200, RF 3300 | zu400748 |
| Rope holder $\phi 22$ mm ( $\phi 0.87$ " ), 1.4301/ 1.4305 (304/ 303) *                  | RF 3200, RF 3300 | zu400749 |
| Rope holder $\phi 22$ mm ( $\phi 0.87$ " ), 1.4404 (316L) *                              | RF 3200, RF 3300 | zu400750 |

\*delivery including fixing parts

### Hexagon nut

|                        |        |          |
|------------------------|--------|----------|
| G 1½" 1.4305 (303)     | pos.27 | zu300180 |
| G 1¼" 1.4305 (303)     | pos.27 | zu300181 |
| G 1" 1.4305 (303)      | pos.27 | zu200160 |
| G ¾" 1.4305 (303)      | pos.27 | zu200140 |
| M32 x 1.5 1.4305 (303) | pos.27 | zu200130 |
| M30 x 1.5 1.4305 (303) | pos.27 | zu200180 |

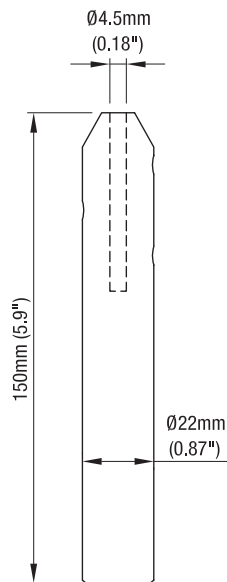
### Weather protection cover

|                      |          |          |
|----------------------|----------|----------|
| For standard housing | pos.32 x | zu300232 |
|----------------------|----------|----------|

RF 3000 Spare parts

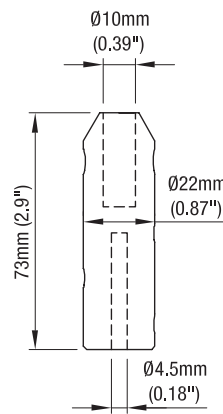
**Rope weight ø22 RF3100**

zu400742 / zu400743  
including fixing parts  
(grub screws)



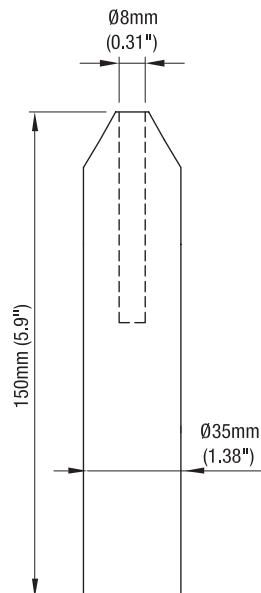
**Rope holder ø22 RF3100**

zu400744 / zu400745  
including fixing parts  
(split pin, grub screws)



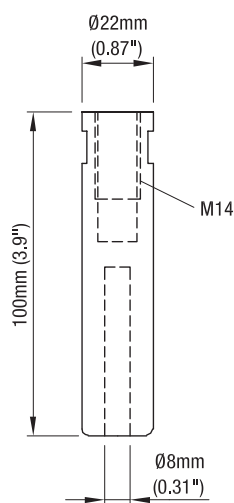
**Rope weight ø35 RF3200 / RF3300**

zu400747 / zu400748  
including fixing parts  
(grub screws)



**Rope holder ø22 RF3200 / RF3300**

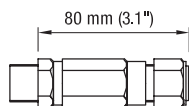
zu400749 / zu400750  
including fixing parts  
(grub screws)



### RF 8000 Accessories

---

em440041 Cable gland M20 x 1.5 Ex-d



For use with version  
Flameproof ATEX, TR-CU (pos.2 T,L).  
Type: Stahl T3CDS 246560

## RF 8000 Spare parts

| Fitting to model code | Spare part Article number |
|-----------------------|---------------------------|
|-----------------------|---------------------------|

### Electronic module

Standard: Relay SPDT/ Solid State 12 ... 250 V AC/ DC  
 Digital: Profibus PA/ Solid State 12 ... 30 V DC (24 V intrinsic safe) LCD display

|   |   |                           |          |
|---|---|---------------------------|----------|
| Electronic module Standard                          | For all rod versions and for rope version "L"≤5 m | pos.4 E                   | pl440200 |
| Electronic module Standard                          | For rope version "L">5 m                          | pos.4 E pos.8 Q,Z (>5 m)  | pl440210 |
| Electronic module Digital                           | For all rod versions and for rope version "L"≤5 m | pos.4 F                   | pl440220 |
| Electronic module Digital                           | For rope version "L">5 m                          | pos.4 F pos.8 Q,Z (>5 m)  | pl440230 |
| Internal Safety barrier (required for Ex approvals) |   | pos.4 E,F pos.2 T,W,U,N,D | pl440060 |

### Rod extension kit

1.4404 (SS316L), including fixing parts. Rod can be shortened by customer.  
 Stated Length of extension "L" is with use of active shield length 125 mm.  
 If required the rod extension kit can simply be mounted on a unit where a rope extension is present.

|                      |                           |         |          |
|----------------------|---------------------------|---------|----------|
| "L"=350 mm (13.8")   | Rod length=180 mm (7.1")  | pos.8 A | zu440010 |
| "L"=500 mm (19.7")   | Rod length=330 mm (13.0") | pos.8 B | zu440020 |
| "L"=750 mm (29.5")   | Rod length=580 mm (22.8") | pos.8 C | zu440030 |
| "L"=1,000 mm (39.4") | Rod length=830 mm (32.7") | pos.8 D | zu440040 |

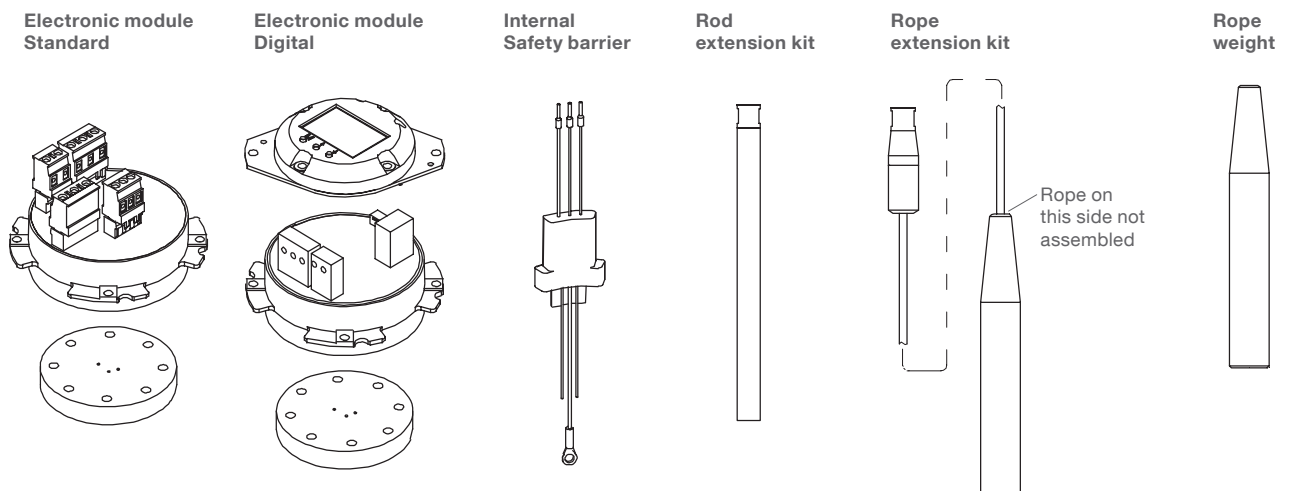
### Rope extension kit

1.4404 (SS316L), including fixing parts. Rope can be shortened by customer.  
 Stated Length of extension "L" is with use of active shield length 125 mm.  
 If required the rope extension kit can simply be mounted on a unit where a rod extension is present.

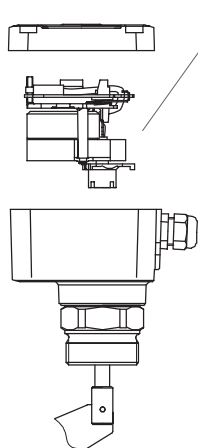
|                 |                     |                      |          |
|-----------------|---------------------|----------------------|----------|
| "L"=1 m (39.4") | Rope not PFA coated | pos.8 P,Q,Z pos.10 2 | zu440100 |
| "L"=5 m (197")  | Rope not PFA coated | pos.8 P,Q,Z pos.10 2 | zu440110 |
| "L"=10 m (394") | Rope not PFA coated | pos.8 P,Q,Z pos.10 2 | zu440120 |
| "L"=20 m (787") | Rope not PFA coated | pos.8 P,Q,Z pos.10 2 | zu440130 |
| "L"=1 m (39.4") | Rope PFA coated     | pos.8 P,Q,Z pos.10 3 | zu440200 |
| "L"=5 m (197")  | Rope PFA coated     | pos.8 P,Q,Z pos.10 3 | zu440210 |
| "L"=10 m (394") | Rope PFA coated     | pos.8 P,Q,Z pos.10 3 | zu440220 |
| "L"=20 m (787") | Rope PFA coated     | pos.8 P,Q,Z pos.10 3 | zu440230 |

### Rope weight

|   |             |          |
|---|-------------|----------|
| Single part, 1.4404 (SS316L), for use with rope not PFA coated and PFA coated | pos.8 P,Q,Z | zu440350 |
|---|-------------|----------|



RN 3000 /6000 Spare parts



Series RN 3000 Motor/ PCB

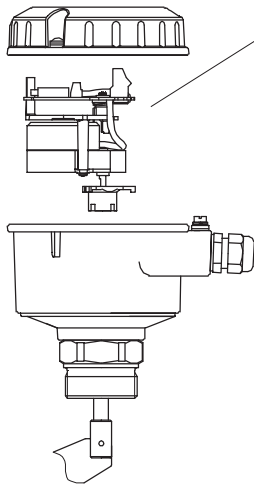
| Order code         |                          |                             | Voltage   | Motor Speed | Spare part Articiel number |
|--------------------|--------------------------|-----------------------------|---|-------------|----------------------------|
| Pos.5 Power supply | Pos.25 x Fail safe alarm | Pos.26 x Heating of housing |   |             |                            |
| A                  | -                        | -                           | 230 V AC  | 1/min       | gm402000                   |
| S                  | -                        | -                           |   | 5/min       | gm403000                   |
| B                  | -                        | -                           | 115 V AC  | 1/min       | gm402005                   |
| T                  | -                        | -                           |   | 5/min       | gm403005                   |
| C                  | -                        | -                           | 48 V AC   | 1/min       | gm402015                   |
| U                  | -                        | -                           |   | 5/min       | gm403015                   |
| D                  | -                        | -                           | 24 V AC   | 1/min       | gm402010                   |
| V                  | -                        | -                           |   | 5/min       | gm403010                   |
| E                  | -                        | -                           | 24 V DC   | 1/min       | gm402020                   |
| W                  | -                        | -                           |   | 5/min       | gm403020                   |
| G                  | -                        | -                           | 24 V DC PNP                                     | 1/min       | gm402026*                  |
| H                  | -                        | -                           |   | 5/min       | gm403026*                  |
| F                  | -                        | -                           | 24 V DC/<br>22 .. 230 V AC<br>Universal voltage | 1/min       | gm402038*                  |
| F                  | x                        | -                           |   | 1/min       | gm404038* **               |
| F                  | -                        | x                           |   | 1/min       | gm402039*                  |
| F                  | x                        | x                           |   | 1/min       | gm404039* **               |
| X                  | -                        | -                           |   | 5/min       | gm403038*                  |
| X                  | x                        | -                           |   | 5/min       | gm405038* **               |
| X                  | -                        | x                           |   | 5/min       | gm403039*                  |
| X                  | x                        | x                           |   | 5/min       | gm405039* **               |

\* This module requires a higher housing lid than the other modules. Therefore it can not be mounted into a housing, where a different module was present before.

\*\* This module requires a sensor to detect the motor rotation, which is mounted inside the housing. Therefore it can not be mounted into a housing where a different module was present before.



RN 3000 /6000 Spare parts



Series RN 6000 Motor/ PCB

| Equipment code     |                  |                          |                             | Voltage  | Motor Speed | Spare part Article number |
|--------------------|------------------|--------------------------|-----------------------------|--|-------------|---------------------------|
| Pos.5 Power supply | Pos.25 b SIL 2** | Pos.25 x Fail safe alarm | Pos.26 x Heating of housing |  |             |                           |
| A                  | -                | -                        | -                           | 230V AC  | 1/min       | gm412000                  |
| S                  | -                | -                        | -                           |  | 5/min       | gm413000                  |
| B                  | -                | -                        | -                           | 115V AC  | 1/min       | gm412005                  |
| T                  | -                | -                        | -                           |  | 5/min       | gm413005                  |
| C                  | -                | -                        | -                           | 48V AC   | 1/min       | gm412015                  |
| U                  | -                | -                        | -                           |  | 5/min       | gm413015                  |
| D                  | -                | -                        | -                           | 24V AC   | 1/min       | gm412010                  |
| V                  | -                | -                        | -                           |  | 5/min       | gm413010                  |
| E                  | -                | -                        | -                           | 24V DC   | 1/min       | gm412020                  |
| W                  | -                | -                        | -                           |  | 5/min       | gm413020                  |
| F                  | -                | -                        | -                           | 24V DC/<br>22 ... 230V AC<br>Universal voltage | 1/min       | gm412038                  |
| F                  | -                | x                        | -                           |  | 1/min       | gm414038*                 |
| F                  | -                | -                        | x                           |  | 1/min       | gm412039                  |
| F                  | -                | x                        | x                           |  | 1/min       | gm414039*                 |
| X                  | -                | -                        | -                           |  | 5/min       | gm413038                  |
| X                  | -                | x                        | -                           |  | 5/min       | gm415038*                 |
| X                  | -                | -                        | x                           |  | 5/min       | gm413039                  |
| X                  | -                | x                        | x                           |  | 5/min       | gm415039*                 |

\* This module requires a sensor to detect the motor rotation, which is mounted inside the housing. Therefore it can not be mounted into a housing where a different module was present before.

\*\* Moduls for units with SIL certificate must be replaced by the manufacturer.

**RN 3000 /6000 Spare parts**

|  | Fitting to unit/ model code | Spare part Article number |
|--|-----------------------------|---------------------------|
| <b>Measuring vane</b> (delivery incl. cotter pin)  |                             |                           |
| Boot shaped 40 x 98 mm (1.4305)  | Pos.10 A with pos.9 3       | fg400605                  |
| Boot shaped 40 x 98 mm (1.4404)  | Pos.10 A with pos.9 7       | fg400502                  |
| Boot shaped 35 x 106 mm (1.4305)   | Pos.10 D with pos.9 3       | fg400508                  |
| Boot shaped 35 x 106 mm (1.4404)   | Pos.10 D with pos.9 7       | fg400509                  |
| Boot shaped 28 x 98 mm (1.4305)  | Pos.10 R with pos.9 3       | fg400603                  |
| Boot shaped 28 x 98 mm (1.4404)  | Pos.10 R with pos.9 7       | fg400604                  |
| Boot shaped 26 x 77 mm   | Pos.10 J                    | fg400607                  |
| Rectangular 50 x 98 mm   | Pos.10 B                    | fg400610                  |
| Rectangular 50 x 150 mm  | Pos.10 C                    | fg400620                  |
| Rectangular 50 x 250 mm  | Pos.10 E                    | fg400630                  |
| Rectangular 98 x 98 mm (1.4305)  | Pos.10 F with pos.9 3       | fg400635                  |
| Rectangular 98 x 98 mm (1.4404)  | Pos.10 F with pos.9 7       | fg400032                  |
| Rectangular 98 x 150 mm  | Pos.10 G                    | fg400637                  |
| Rectangular 98 x 250 mm  | Pos.10 I                    | fg400650                  |
| Hinged vane 98 x 200 mm double sided<br>(37 mm for G 1½" and G 1¼") (1.4305, max. 250°C) | Pos.10 K with pos.9 3       | fg400081                  |
| Hinged vane 98 x 200 mm double sided<br>(37 mm for G 1½" and G 1¼") (1.4404, max. 250°C) | Pos.10 K with pos.9 7       | fg400087                  |
| Hinged vane 98 x 200 mm double sided<br>(28 mm for G 1" and M32) (1.4305, max. 250°C)    | Pos.10 K with pos.9 3       | fg400085                  |
| Hinged vane 98 x 100 mm single sided<br>(37 mm for G 1½" and G 1¼") (1.4305, max. 250°C) | Pos.10 S with pos.9 3       | fg400084                  |
| Hinged vane 98 x 100 mm single sided<br>(37 mm for G 1½" and G 1¼") (1.4404, max. 250°C) | Pos.10 S with pos.9 7       | fg400088                  |
| Hinged vane 98 x 100 mm single sided<br>(28 mm for G 1" and M32) (1.4305, max. 250°C)    | Pos.10 S with pos.9 3       | fg400086                  |
| Rubber vane 98 x 250 mm  | Pos.10 M                    | fg400565                  |
| Notched 40 x 80 mm   | Pos.10 P                    | fg400614                  |
| VT-vane  | Pos.10 N                    | fg400026                  |

**Extension parts**

|  |           |  |          |
|--|-----------|--|----------|
| Extension shaft ø10 mm:<br>(delivery incl. fixing parts)   | by 50 mm  | RN 3001/ 6001                                | we400005 |
|  | by 100 mm | RN 3001/ 6001                                | we401023 |
|  | by 150 mm | RN 3001/ 6001                                | we401025 |
|  | by 200 mm | RN 3001/ 6001                                | we401026 |
| Pendular shaft L=500 mm (delivery incl. fixing parts)  |           | RN 3001/6001/pos.36                          | zu400131 |
| Pendular shaft L=1,000 mm (delivery incl. fixing parts)  |           | RN 3001/6001/pos.36                          | zu400132 |
| Kit rope extension L=2,000 mm (implements 2 m single rope (zu400729) and rope fixing parts (zu400110)) |           | RN 3001/6001/pos.39                          | zu400100 |
| Single rope ø8 mm, tail welded, price per meter  |           | RN 3002/ 6002-rope<br>RN3001/ RN6001/ pos.39 | zu400729 |
| Rope fixing parts, usable for kit rope extension   |           | RN3001/ RN6001/ pos.39                       | zu400110 |
| Rope weight ø30 mm (delivery incl. fixing parts)   |           | RN 3002/ 6002-rope                           | we400720 |
| Rope holder ø22 mm (for version Pos.1 C) (delivery incl. fixing parts)                                 |           | RN 3002/ 6002-rope                           | we400700 |

## RN 3000 /6000 Spare parts

| Fitting to unit/ model code | Spare part Article number |
|-----------------------------|---------------------------|
|-----------------------------|---------------------------|

### Hexagon nut

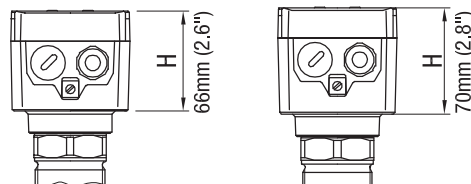
|                            |         |          |
|----------------------------|---------|----------|
| 1½" aluminium              | Pos.6 A | zu300170 |
| 1½" stainless steel 1.4305 | Pos.6 A | zu300180 |
| 1¼" aluminium              | Pos.6 B | zu300171 |
| 1¼" stainless steel 1.4305 | Pos.6 B | zu300181 |
| 1" aluminium               | Pos.6 C | zu200150 |
| 1" stainless steel 1.4305  | Pos.6 C | zu200160 |
| M32 aluminium              | Pos.6 D | zu200120 |
| M32 stainless steel 1.4305 | Pos.6 D | zu200130 |
| M30 aluminium              | Pos.6 E | zu200170 |
| M30 stainless steel 1.4305 | Pos.6 E | zu200180 |

### Flush welding socket

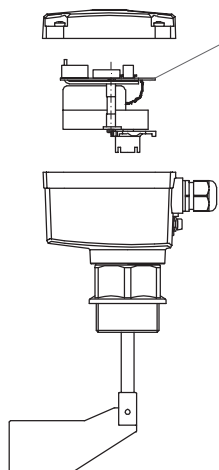
|   |          |          |
|---|----------|----------|
| Flush welding socket ø69/ G 1½" made of Aluminium     | Pos.29 b | bu400505 |
| Flush welding socket ø69/ G 1½" made of 1.4301 (304)  | Pos.29 c | bu400506 |
| Flush welding socket ø69/ G 1½" made of 1.4404 (316L) | Pos.29 d | bu400507 |

### Weather protection cover

|   |          |          |
|---|----------|----------|
| RN 3000 (for lower housing, dimension H=66 mm)  | Pos.21 x | zu300230 |
| RN 3000 (for higher housing, dimension H=70 mm) | Pos.21 x | zu300232 |
| RN 6000 standard housing                        | Pos.21 x | zu300240 |



RN 4000 Spare parts



Motor/ PCB

| Order code         |                          |                             | Voltage   | Motor Speed | Spare part Article number |
|--------------------|--------------------------|-----------------------------|---|-------------|---------------------------|
| Pos.3 Power supply | Pos.25 x Fail safe alarm | Pos.26 x Heating of housing |   |             |                           |
| A                  | -                        | -                           | 230 V AC  | 1/min       | gm402000                  |
| S                  | -                        | -                           |   | 5/min       | gm403000                  |
| B                  | -                        | -                           | 115 V AC  | 1/min       | gm402005                  |
| T                  | -                        | -                           |   | 5/min       | gm403005                  |
| C                  | -                        | -                           | 48 V AC   | 1/min       | gm402015                  |
| U                  | -                        | -                           |   | 5/min       | gm403015                  |
| D                  | -                        | -                           | 24 V AC   | 1/min       | gm402010                  |
| V                  | -                        | -                           |   | 5/min       | gm403010                  |
| E                  | -                        | -                           | 24 V DC   | 1/min       | gm402020                  |
| W                  | -                        | -                           |   | 5/min       | gm403020                  |
| G                  | -                        | -                           | 24 V DC PNP                                     | 1/min       | gm402026                  |
| H                  | -                        | -                           |   | 5/min       | gm403026                  |
| F                  | -                        | -                           | 24 V DC/<br>22 .. 230 V AC<br>Universal voltage | 1/min       | gm402038                  |
| F                  | x                        | -                           |   | 1/min       | gm404038 **               |
| F                  | -                        | x                           |   | 1/min       | gm402039                  |
| F                  | x                        | x                           |   | 1/min       | gm404039 **               |
| X                  | -                        | -                           |   | 5/min       | gm403038                  |
| X                  | x                        | -                           |   | 5/min       | gm405038 **               |
| X                  | -                        | x                           |   | 5/min       | gm403039                  |
| X                  | x                        | x                           |   | 5/min       | gm405039 **               |

\*\* This module requires a sensor to detect the motor rotation, which is mounted inside the housing. Therefore it can not be mounted into a housing, where a different module was present before.

## RN 4000 Spare parts

|  | Fitting to unit/ model code | Spare part Article number |
|--|-----------------------------|---------------------------|
| <b>Measuring vane</b> (delivery incl. cotter pin)                |                             |                           |
| Boot shaped 40 x 98 mm   | Pos.6 A                     | fg400605                  |
| Boot shaped 35 x 106 mm  | Pos.6 D                     | fg400508                  |
| Boot shaped 28 x 98 mm   | Pos.6 R                     | fg400603                  |
| Hinged vane 98 x 200 mm double sided (37 mm for G 1½" and G 1¼") | Pos.6 K                     | fg400081                  |
| Hinged vane 98 x 200 mm double sided (28 mm for G 1" and M32)    | Pos.6 K                     | fg400085                  |
| Hinged vane 98 x 100 mm single sided (37 mm for G 1½" and G 1¼") | Pos.6 S                     | fg400084                  |
| Hinged vane 98 x 100 mm single sided (28 mm for G 1" and M32)    | Pos.6 S                     | fg400086                  |
| Boot shaped 26 x 77 mm   | Pos.6 J                     | fg400607                  |
| Universal vane 27 x 150 mm                                       | Pos.6 U                     | fg402010                  |
| Vane extension for universal vane 98 x 250 mm                    | Pos.23                      | fg200070                  |

### Extension parts

|  |           |         |          |
|--|-----------|---------|----------|
| Extension shaft ø10 mm:<br>(delivery incl. fixing parts)   | by 50 mm  | RN 4001 | we400005 |
|  | by 100 mm | RN 4001 | we401023 |
|  | by 150 mm | RN 4001 | we401025 |
|  | by 200 mm | RN 4001 | we401026 |
| Kit Pendular shaft L=500 mm (delivery incl. fixing parts)  |           | Pos.40  | zu400130 |
| Kit Pendular shaft L=1,000 mm (delivery incl. fixing parts)  |           | Pos.40  | zu400140 |
| Kit rope extension L=2,000 mm (implements 2 m single rope (zu400729) and rope fixing parts (zu400110)) |           | Pos.39  | zu400100 |
| Single rope ø8 mm, tail welded, price per meter  |           | Pos.39  | zu400729 |
| Rope fixing parts, usable for kit rope extension   |           | Pos.39  | zu400110 |

### Hexagon nut

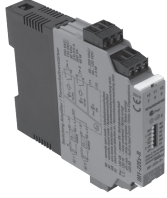
|                            |          |          |
|----------------------------|----------|----------|
| 1½" aluminium              | Pos.24 A | zu300170 |
| 1½" stainless steel 1.4305 | Pos.24 A | zu300180 |
| 1¼" aluminium              | Pos.24 B | zu300171 |
| 1¼" stainless steel 1.4305 | Pos.24 B | zu300181 |
| 1" aluminium               | Pos.24 C | zu200150 |
| 1" stainless steel 1.4305  | Pos.24 C | zu200160 |
| M32 aluminium              | Pos.24 D | zu200120 |
| M32 stainless steel 1.4305 | Pos.24 D | zu200130 |
| M30 aluminium              | Pos.24 E | zu200170 |
| M30 stainless steel 1.4305 | Pos.24 E | zu200180 |

### Weather protection cover

|  |          |          |
|--|----------|----------|
| For standard housing (plastic and aluminium) | Pos.21 x | zu300232 |
|--|----------|----------|

**VN 1000 /2000 /5000 /6000 Accessories**

Complementary products (from outside companies)



**NAMUR Isolating Switching Amplifier** Protection method [EEx ia] IIC  
(for Electronic module pos.4 M)

Terminal housing. Switchable signal output logic. Each channel has one independent output.

| Channels | Signal output  | Monitoring* | Supply                       | Manufacturer/ Type |
|----------|--|-------------|------------------------------|--------------------|
|          |  |             |                              | Turck              |
| 1        | Relay (2x SPST)                                      | x           | 20 - 125 V DC, 20 - 250 V AC | IM1-12EX-R         |
|          | 2 transistor outputs (short-circuit proof, floating) | x           |                              | IM1-12EX-T         |
| 2        | Relay (2x SPST)                                      | x           | 20 - 125 V DC, 20 - 250 V AC | IM1-22EX-R         |
|          | 2 transistor outputs (short-circuit proof, floating) | x           |                              | IM1-22EX-T         |
| 4        | Relais (4x SPST)                                     | x           | 20 - 125 V DC, 20 - 250 V AC | IM1-451EX-R        |
|          | 4 transistor outputs (short-circuit proof, floating) | x           |                              | IM1-451EX-T        |

\* Input circuit monitoring for wire-break, partial for short-circuit. Partial additional monitoring signal output.



**8/16 mA Limit Value Monitor**  
(for Electronic module pos.4 N)

**Limit Value Monitor** Type IM43-13-R

Input: 1 channel 4-20 mA

Output: 3 Limit Value Relays for monitoring of 3 limit values of a current signal.

Terminal housing. Supply: 20 - 125 V DC, 20 - 250 V AC. Manufacturer: Turck.

Use in Hazardous Locations only with additional connected Isolating Transducer IM33.

**Isolating Transducer** Type IM33-11Ex-Hi/ 24 V DC (1 channel)

**Isolating Transducer** Type IM33-11Ex-Hi/ 24 V DC (2 channels)

Protection method [EEx ia] IIC.

Terminal housing.

Input/ output: 0/4-20 mA (galvanic isolated). Supply: 19 - 29 V DC.

VN 1000 /2000 /5000 /6000 Spare parts

Electronic modules VN 1000/ VN 5000

| Electronic module                                      | Electronic module number | VN 1020                | VN 1020<br>VN 1030<br>VN 1040<br>separate housing | VN 1030<br>VN 1040     | VN 1050    | VN 5020   | VN 5020<br>temp.<br>extended shaft | VN 5020<br>VN 5030<br>separate housing      | VN 5030<br>VN 5040           | VN 5050                                     |
|--|--------------------------|------------------------|---|------------------------|------------|---|------------------------------------|---|------------------------------|---|
| <b>Relay (SPDT)</b><br>19 .. 230 V AC<br>19 .. 55 V DC | pl400932                 | 0, W, A, E, 2          | 0   | 0, W, A, E, 2          | 0          | 0, M, W, A, N, R, C, S, T, D, U, E, K, L, 2, 4, 5 | 0, M, W, A, N, E, 2                | 0, M  | 0, M, W, A, N, E, 2          | 0, M  |
|  | pl400120 *               |                        | W, A, E, 2  |                        | W, A, E, 2 | R, C, S, T, D, U, K, L, 4, 5                      |                                    | W, A, N, R, C, S, T, D, U, E, K, L, 2, 4, 5 | R, C, S, T, D, U, K, L, 4, 5 | W, A, N, R, C, S, T, D, U, E, K, L, 2, 4, 5 |
| <b>Relay (DPDT)</b><br>19 .. 230 V AC<br>19 .. 55 V DC | pl400247                 | 0, W, A, E, 2          | 0   | 0, W, A, E, 2          | 0          | 0, M, W, A, N, R, C, S, T, D, U, E, K, L, 2, 4, 5 | 0, M, W, A, N, E, 2                | 0, M  | 0, M, W, A, N, E, 2          | 0, M  |
|  | pl400052 *               |                        | W, A, E, 2  |                        | W, A, E, 2 | R, C, S, T, D, U, K, L, 4, 5                      |                                    | W, A, N, R, C, S, T, D, U, E, K, L, 2, 4, 5 | R, C, S, T, D, U, K, L, 4, 5 | W, A, N, R, C, S, T, D, U, E, K, L, 2, 4, 5 |
| <b>PNP</b><br>18 .. 50 V DC                            | pl400246                 | 0, W, A, E, 2          | 0   | 0, W, A, E, 2          | 0          | 0, M, W, A, N, R, C, S, T, D, U, E, K, L, 2, 4, 5 | 0, M, W, A, N, E, 2                | 0, M  | 0, M, W, A, N, E, 2          | 0, M  |
|  | pl400123*                |                        | W, A, E, 2  |                        | W, A, E, 2 | R, C, S, T, D, U, K, L, 4, 5                      |                                    | W, A, N, R, C, S, T, D, U, E, K, L, 2, 4, 5 | R, C, S, T, D, U, K, L, 4, 5 | W, A, N, R, C, S, T, D, U, E, K, L, 2, 4, 5 |
| <b>2-wire without contact</b><br>19 .. 230 V AC/DC     | pl400242                 | 0, W, A, E, 2          | 0   | 0, W, A, E, 2          | 0          |   |                                    |   |                              |   |
|  | pl400122                 |                        | W, A, E, 2  |                        | W, A, E, 2 |   | 0, M, W, A, N, E, 2                | 0, M  | 0, M, W, A, N, E, 2          | 0, M  |
| <b>8/16 mA</b><br>2-wire                               | pl400062*                |                        | W, A, E, 2  |                        | W, A, E, 2 |   | R, C, S, T, D, U, K, L, 4, 5       | W, A, N, R, C, S, T, D, U, E, K, L, 2, 4, 5 | R, C, S, T, D, U, K, L, 4, 5 | W, A, N, R, C, S, T, D, U, E, K, L, 2, 4, 5 |
|  | pl400093                 | 0                      | 0   | 0                      | 0          |   |                                    |   |                              | 0   |
| <b>8/16 mA or 4-20 mA</b><br>2-wire intrinsic safe     | pl400090 **              | W, A, Y, B, E, V, 2, 3 | Y, B, V, 3  | W, A, Y, B, E, V, 2, 3 | Y, B, V, 3 | W, A, Y, B, R, C, T, D, E, V, K, L, 2, 3, 4, 5    | W, A, Y, B, E, V, 2, 3             | Y, B, V, 3                                  | W, A, Y, B, E, V, 2, 3       | Y, B, V, 3                                  |

\* Intrinsic safe connection between Electronic module and Vibrating fork

\*\* Intrinsic safe from supply and intrinsic safe between Electronic module and Vibrating fork

VN 1000 /2000 /5000 /6000 Spare parts

Electronic modules VN 2000/ VN 6000

| Elektronikmodul  | Sensitivity (see pos.26) | Electronic module number | Electronic modules are used for following certificates (see pos. 2 of price lists): |                          |                        |   |
|--|--------------------------|--------------------------|---|--------------------------|------------------------|---|
|  |                          |                          | VN 2020   | VN 2030 separate housing | VN 2030 VN2040         | VN 2050   |
| <b>Relay (SPDT)</b><br>19 .. 230 V AC<br>19 .. 55 V DC | 20 g/l (1,2 lb/ft³)      | pl400930                 | 0   | 0                        | 0                      | 0   |
|  | 5 g/l (0,3 lb/ft³)       | pl400931                 | 0   | 0, W, A, E, 2            | 0                      | 0   |
| Vibrasil® 70   | Vibrasil® 90             | pl400312                 | 0, W, A, E, 2   | 0, W, A, E, 2            | 0                      | 0   |
|  |                          | pl400310                 | 0, W, A, E, 2   | 0, W, A, E, 2            | 0                      | 0   |
| <b>Relay (DPDT)</b><br>19 .. 230 V AC<br>19 .. 55 V DC | 20 g/l (1,2 lb/ft³)      | pl400124 *               | W, A, E, 2  | W, A, E, 2               | W, A, E, 2             | W, A, E, 2  |
|  | 5 g/l (0,3 lb/ft³)       | pl400128 *               | 0   | 0, W, A, E, 2            | 0                      | 0   |
| 19 .. 230 V AC<br>19 .. 36 V DC                        | 20 g/l (1,2 lb/ft³)      | pl400193                 | 0, W, A, E, 2   | 0, W, A, E, 2            | 0, W, A, E, 2          | 0, M, W, A, N, R, C, S, T, D, U, E, K, L, 2, 4, 5 |
|  | 5 g/l (0,3 lb/ft³)       | pl400194                 | 0   | 0, W, A, E, 2            | 0                      | 0, M, W, A, N, R, C, S, T, D, U, E, K, L, 2, 4, 5 |
| <b>PNP</b><br>18 .. 50 V DC                            | 20 g/l (1,2 lb/ft³)      | pl400050 *               | W, A, E, 2  | W, A, E, 2               | W, A, E, 2             | W, A, N, R, C, S, T, D, U, E, K, L, 2, 4, 5       |
|  | 5 g/l (0,3 lb/ft³)       | pl400051 *               | 0   | 0, W, A, E, 2            | 0                      | 0, M, W, A, N, R, C, S, T, D, U, E, K, L, 2, 4, 5 |
| <b>2-wire without contact</b><br>19 .. 230 V AC/DC     | 20 g/l (1,2 lb/ft³)      | pl400176                 | 0, W, A, E, 2   | 0, W, A, E, 2            | 0, W, A, E, 2          | 0, M, W, A, N, R, C, S, T, D, U, E, K, L, 2, 4, 5 |
|  | 5 g/l (0,3 lb/ft³)       | pl400173                 | 0   | 0, W, A, E, 2            | 0                      | 0, M, W, A, N, R, C, S, T, D, U, E, K, L, 2, 4, 5 |
| 20 g/l (1,2 lb/ft³)                                    | 20 g/l (1,2 lb/ft³)      | pl400127 *               | W, A, E, 2  | W, A, E, 2               | W, A, E, 2             | W, A, N, R, C, S, T, D, U, E, K, L, 2, 4, 5       |
|  | 5 g/l (0,3 lb/ft³)       | pl400131 *               | 0   | 0, W, A, E, 2            | 0                      | 0, M, W, A, N, R, C, S, T, D, U, E, K, L, 2, 4, 5 |
| 20 g/l (1,2 lb/ft³)                                    | 20 g/l (1,2 lb/ft³)      | pl400182                 | 0   | 0, W, A, E, 2            | 0                      | 0, M, W, A, N, R, C, S, T, D, U, E, K, L, 2, 4, 5 |
|  | 5 g/l (0,3 lb/ft³)       | pl400187                 | 0   | 0, W, A, E, 2            | 0                      | 0, M, W, A, N, R, C, S, T, D, U, E, K, L, 2, 4, 5 |
| 20 g/l (1,2 lb/ft³)                                    | 20 g/l (1,2 lb/ft³)      | pl400126                 | 0   | 0, W, A, E, 2            | 0                      | 0, M, W, A, N, R, C, S, T, D, U, E, K, L, 2, 4, 5 |
|  | 5 g/l (0,3 lb/ft³)       | pl400130                 | 0   | 0, W, A, E, 2            | 0                      | 0, M, W, A, N, R, C, S, T, D, U, E, K, L, 2, 4, 5 |
| 20 g/l (1,2 lb/ft³)                                    | 20 g/l (1,2 lb/ft³)      | pl400126 *               | W, A, E, 2  | W, A, E, 2               | W, A, E, 2             | W, A, N, R, C, S, T, D, U, E, K, L, 2, 4, 5       |
|  | 5 g/l (0,3 lb/ft³)       | pl400130 *               | 0   | 0, W, A, E, 2            | 0                      | 0, M, W, A, N, R, C, S, T, D, U, E, K, L, 2, 4, 5 |
| <b>NAMUR</b><br>EC 60947-5-6<br>2-wire intrinsic safe  | 20 g/l (1,2 lb/ft³)      | pl400081 **              | Y, B, V, 3  | Y, B, V, 3               | Y, B, V, 3             | Y, B, P, V, 3                                     |
|  | 5 g/l (0,3 lb/ft³)       | pl400082 **              | 0   | 0, W, A, E, 2            | 0                      | 0, M, W, A, N, R, C, S, T, D, U, E, K, L, 2, 4, 5 |
| <b>8/16 mA</b><br>2-wire                               | 20 g/l (1,2 lb/ft³)      | pl400060*                | W, A, E, 2  | W, A, E, 2               | W, A, E, 2             | W, A, R, C, S, T, D, U, E, K, L, 2, 4, 5          |
|  | 5 g/l (0,3 lb/ft³)       | pl400061*                | 0   | 0, W, A, E, 2            | 0                      | 0, M, W, A, N, R, C, S, T, D, U, E, K, L, 2, 4, 5 |
| <b>8/16 mA or 4-20 mA</b>                              | 20 g/l (1,2 lb/ft³)      | pl400094                 | 0   | 0, W, A, E, 2            | 0                      | 0, M, W, A, N, R, C, S, T, D, U, E, K, L, 2, 4, 5 |
|  | 5 g/l (0,3 lb/ft³)       | pl400098                 | 0   | 0, W, A, E, 2            | 0                      | 0, M, W, A, N, R, C, S, T, D, U, E, K, L, 2, 4, 5 |
| <b>8/16 mA or 4-20 mA</b><br>2-wire intrinsic safe     | 20 g/l (1,2 lb/ft³)      | pl400091 **              | W, A, Y, B, E, V, 2, 3  | W, A, Y, B, E, V, 2, 3   | W, A, Y, B, E, V, 2, 3 | W, A, Y, B, R, C, T, D, E, V, K, L, 2, 3, 4, 5    |
|  | 5 g/l (0,3 lb/ft³)       | pl400092 **              | 0   | 0, W, A, E, 2            | 0                      | 0, M, W, A, N, R, C, S, T, D, U, E, K, L, 2, 4, 5 |

\* Intrinsic safe connection between Electronic module and Vibrating fork  
 \*\* Intrinsic safe from supply and intrinsic safe between Electronic module and Vibrating fork

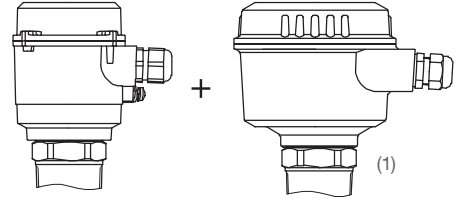
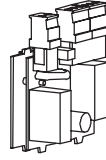


**VN 4000 Spare parts**

**Electronic board**

**Fitting for housing**

| Electronic board                                  | Article number |
|---|----------------|
| <b>Relais DPDT</b><br>19 .. 230 V AC 9 .. 50 V DC | pI408265       |
| <b>PNP</b><br>18 .. 50 V DC                       | pI408266       |



(1) Adapting plate included