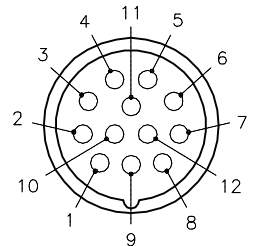

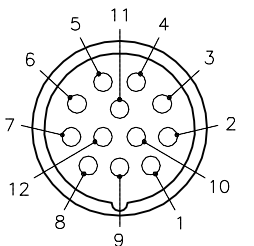

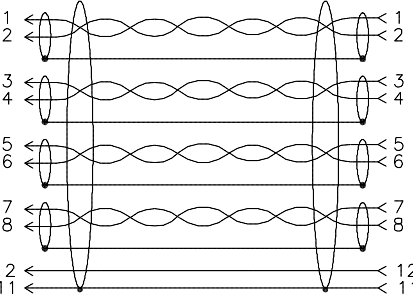
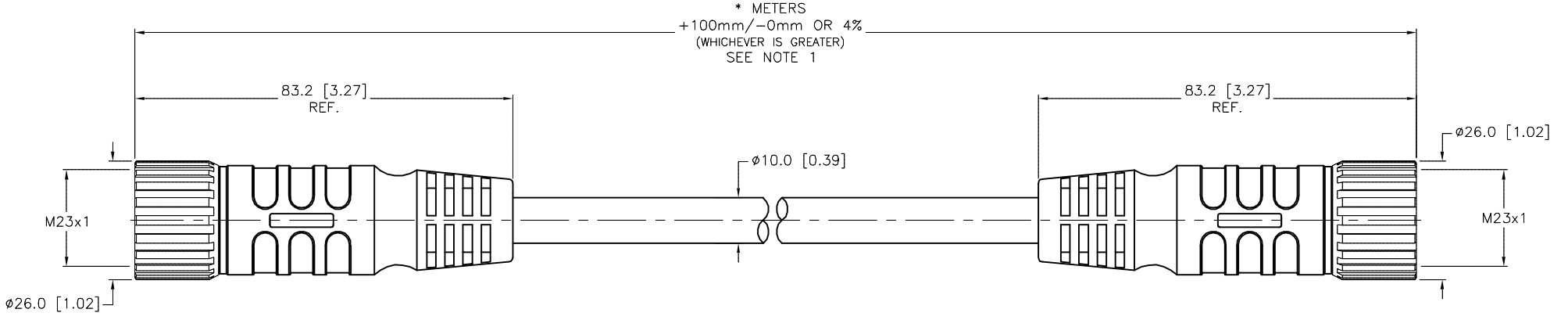
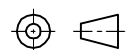


MALE END VIEW	FEMALE END VIEW	WIRING DIAGRAM	SPECIFICATIONS																													
 <p>1 = WHT/BLK 2 = BLK/WHT 3 = WHT/GRN 4 = GRN/WHT 5 = WHT/RED 6 = RED/WHT 7 = WHT/ORG 8 = ORG/WHT 9 = N/C 10 = N/C 11 = DRAIN 12 = GRN/YEL</p>  M23 connector	  M23 connector		<table border="1"> <tr><td>CONTACT CARRIER MATERIAL</td><td>NYLON or PBT</td></tr> <tr><td>MOLDED HEAD MATERIAL/COLOR</td><td>TPU/BLACK</td></tr> <tr><td>CONTACT MATERIAL/PLATING</td><td>BRASS/GOLD</td></tr> <tr><td>COUPLING NUT MATERIAL/PLATING</td><td>BRASS/NICKEL</td></tr> <tr><td>RATED CURRENT [A]</td><td>3.0 A</td></tr> <tr><td>RATED VOLTAGE [V]</td><td>300 V</td></tr> <tr><td>OUTER JACKET MATERIAL/COLOR</td><td>PVC/BLUE</td></tr> <tr><td>CONDUCTOR INSULATION MATERIAL</td><td>PVC</td></tr> <tr><td>NUMBER OF CONDUCTORS [AWG]</td><td>8x22 AWG, 1x18 AWG GROUND</td></tr> <tr><td>DRAIN/SHIELD</td><td>5x22 AWG DRAINS/ALUMINUM FOIL SHIELDED</td></tr> <tr><td>TEMPERATURE RATING</td><td>-40°C to +105°C (-40°F to +221°F)</td></tr> <tr><td>PROTECTION CLASS</td><td>MEETS IEC IP67</td></tr> <tr><td>CONDUCTOR ARRANGEMENT</td><td>4 SHIELDED TWISTED PAIR W/DRAIN, 1 GND, 1 DRAIN</td></tr> <tr><td>CABLE RATINGS</td><td>UL: ITC/PLTC/AWM, 105C, 300 V CSA: CMX-OUTDOOR-CMG/AWM, 105C, 300 V</td></tr> </table>	CONTACT CARRIER MATERIAL	NYLON or PBT	MOLDED HEAD MATERIAL/COLOR	TPU/BLACK	CONTACT MATERIAL/PLATING	BRASS/GOLD	COUPLING NUT MATERIAL/PLATING	BRASS/NICKEL	RATED CURRENT [A]	3.0 A	RATED VOLTAGE [V]	300 V	OUTER JACKET MATERIAL/COLOR	PVC/BLUE	CONDUCTOR INSULATION MATERIAL	PVC	NUMBER OF CONDUCTORS [AWG]	8x22 AWG, 1x18 AWG GROUND	DRAIN/SHIELD	5x22 AWG DRAINS/ALUMINUM FOIL SHIELDED	TEMPERATURE RATING	-40°C to +105°C (-40°F to +221°F)	PROTECTION CLASS	MEETS IEC IP67	CONDUCTOR ARRANGEMENT	4 SHIELDED TWISTED PAIR W/DRAIN, 1 GND, 1 DRAIN	CABLE RATINGS	UL: ITC/PLTC/AWM, 105C, 300 V CSA: CMX-OUTDOOR-CMG/AWM, 105C, 300 V	
CONTACT CARRIER MATERIAL	NYLON or PBT																															
MOLDED HEAD MATERIAL/COLOR	TPU/BLACK																															
CONTACT MATERIAL/PLATING	BRASS/GOLD																															
COUPLING NUT MATERIAL/PLATING	BRASS/NICKEL																															
RATED CURRENT [A]	3.0 A																															
RATED VOLTAGE [V]	300 V																															
OUTER JACKET MATERIAL/COLOR	PVC/BLUE																															
CONDUCTOR INSULATION MATERIAL	PVC																															
NUMBER OF CONDUCTORS [AWG]	8x22 AWG, 1x18 AWG GROUND																															
DRAIN/SHIELD	5x22 AWG DRAINS/ALUMINUM FOIL SHIELDED																															
TEMPERATURE RATING	-40°C to +105°C (-40°F to +221°F)																															
PROTECTION CLASS	MEETS IEC IP67																															
CONDUCTOR ARRANGEMENT	4 SHIELDED TWISTED PAIR W/DRAIN, 1 GND, 1 DRAIN																															
CABLE RATINGS	UL: ITC/PLTC/AWM, 105C, 300 V CSA: CMX-OUTDOOR-CMG/AWM, 105C, 300 V																															



SOURCE DRAWING - FOR REFERENCE ONLY

NOTES:  
1. "\*" INDICATES CABLE LENGTH IN METERS. CONTACT TURCK TO ORDER SPECIFIC LENGTHS.

RELATED DOCUMENTS 1. 2. 3. 4.	3RD ANGLE PROJECTION 	THIS DRAWING IS CONFIDENTIAL AND THE PROPERTY OF TURCK INC. USE OF THIS DOCUMENT WITHOUT WRITTEN PERMISSION IS PROHIBITED.	<div style="text-align: right;"> <b>TURCK INC</b>  <i>High Technology Sensors and Automation Controls</i>            3000 CAMPUS DRIVE            MINNEAPOLIS, MN 55441            1-800-544-7769            (763) 553-7300            (763) 553-0708 fax            turck.com         </div>	
MATERIAL  SEE SPECIFICATIONS	ALL DIMENSIONS DISPLAYED ON THIS DRAWING ARE FOR REFERENCE ONLY	DRFT RDS DATE 02/21/05 APVD SCALE 1=1.3	DESCRIPTION P-CSM CKM 12-978-*	
FINISH  SEE SPECIFICATIONS	CONTACT TURCK FOR MORE INFORMATION	UNIT OF MEASUREMENT <b>MILLIMETER [ INCH ]</b> DO NOT SCALE THIS DRAWING		IDENTIFICATION NO. FILE: 777007033 REV E SHEET 1 OF 1

E	DRAWING PROCESSED AS PART OF ECO 39948	KMY	09/19/12	39948
REV	DESCRIPTION	BY	DATE	ECO NO.