



Electric Automated Ball Valve Package

Series 88 3-Piece Ball Valve

Sizes 1/4" - 4"
Full Port Design
1000/1500/2000 psi WOG
(by size)

316SS, WCB, Alloy 20
or Hastelloy C-276

TH, SW, or BW Ends
Superior Live Loaded Packing
System

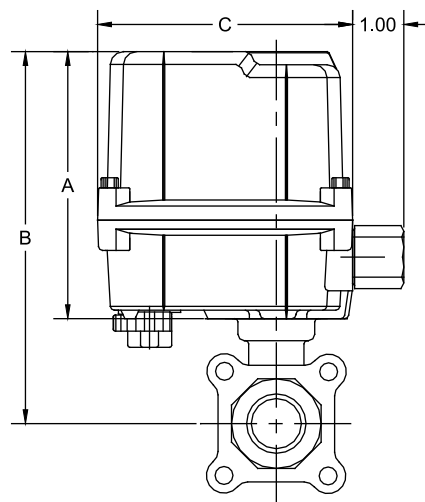
Blowout Proof Stem w/ Dual
Anti-Static Devices

RTFE Seats Standard

Pyramidal Stem Seal Design
Monel Ball & Stem Available

STANDARDS

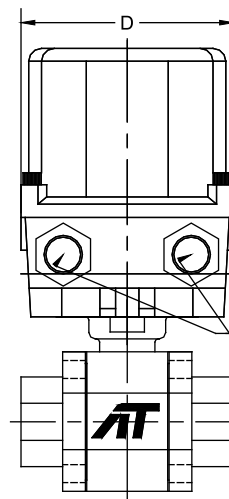
Design	ANSI/ASME B16.34
End Connections	ASME B16.25, B1.20.1, B16.11
Pressure Testing	API 598
Mounting	ISO 5211
Marking System for Valves	MSS SP-25, ISO 5209
Safety Integrity	IEC 61508:2010; SIL 3
Material Certification	EN 10204-3.1 MTR
Quality Assurance	ISO 9001:2008



DIMENSIONS (IN)

VALVE SIZE	A	B	C	D
1/4"	5.24	6.90	4.94	4.08
3/8"	5.24	6.90	4.94	4.08
1/2"	5.24	6.90	4.94	4.08
3/4"	5.24	7.07	4.94	4.08
1"	5.24	7.55	4.94	4.08
1-1/4"	5.24	7.70	4.94	4.08
1-1/2"	5.24	8.35	4.94	4.08
2"	5.24	8.66	4.94	4.08
2-1/2"	9.25	13.53	6.69	10.16
3"	10.55	15.18	9.02	13.31
4"	10.55	15.81	9.02	13.31

VALVE Cv
7
8
15
40
70
110
250
430
600
1100
2000

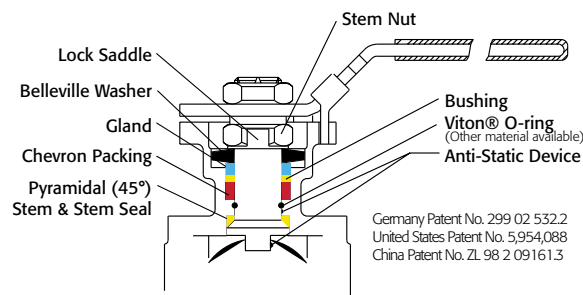


1/2" NPT
CONDUIT
CONNECTION

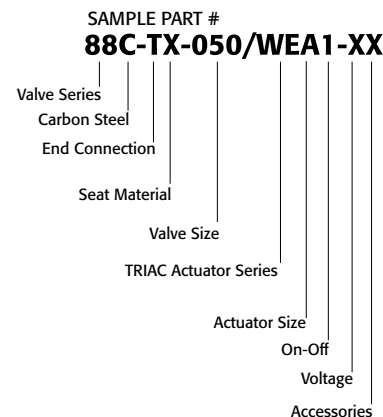
SERIES 88 Direct Mount

ON-OFF	
SIZE	MODEL
1/4"	88-TX-025/WEA1-XX
3/8"	88-TX-038/WEA1-XX
1/2"	88-TX-050/WEA1-XX
3/4"	88-TX-075/WEA1-XX
1"	88-TX-100/WEA1-XX
1-1/4"	88-TX-125/WEA1-XX
1-1/2"	88-TX-150/WEA1-XX
2"	88-TX-200/WEA1-XX
2-1/2"	88-TX-250/WEB1-XX
3"	88-TX-300/WEC1-XX
4"	88-TX-400/WED1-XX

MODULATING	
SIZE	MODEL
1/4"	88-TX-025/WEA2-XX
3/8"	88-TX-038/WEA2-XX
1/2"	88-TX-050/WEA2-XX
3/4"	88-TX-075/WEA2-XX
1"	88-TX-100/WEA2-XX
1-1/4"	88-TX-125/WEA2-XX
1-1/2"	88-TX-150/WEA2-XX
2"	88-TX-200/WEA2-XX
2-1/2"	88-TX-250/WEB2-XX
3"	88-TX-300/WEC2-XX
4"	88-TX-400/WED2-XX



Germany Patent No. 299 02 532.2
United States Patent No. 5,954,088
China Patent No. ZL 98 2 09161.3



OPTIONS

DESCRIPTION
24 VAC/24 VDC/220VAC
Feedback potentiometer

NOTE: Heater and thermostat standard
(2) auxiliary switches standard

Other options available - call for details
Actuators are sized based on clean/clear fluid.



See valve part number matrix for complete part number and options.



9955 International Blvd.
Cincinnati, Ohio 45246
www.atcontrols.com

PHONE (513) 247-5465
FAX (513) 247-5462
sales@atcontrols.com

Valve Options

Various Seat Materials

PTFE, RTFE, 50/50 STFE, 25% CTFE, Delrin, PEEK, UHMWPE, TFM-1600

Operator Options

Quarter-turn Gear Operators
Spring Return "Deadman" Handles
Oval handles, TEE Handles

Specials and Solutions

Steam Jackets
Stem Extensions
V-ported Control Valves
Multi-port Valve Solutions
Fugitive Emissions Bonnets (TSM's)
Oxygen Cleaning
Lockout Brackets
Vented Balls
"No Play" Mounting Kits

• FM Approved Valves and Assemblies



Manual and automated valve assemblies for gas burner management applications and safety shutoff

Other Products

Special Seats Balls and Seal Designs



Steam Jacketed Valves



Floor Mounted Damper Drives



Limit Switches Mounted on Manual Valves



Fusible Link Assemblies



180° Actuators



Lockout Mounting Kits



Stem Extensions



Special Multi-Port Valves



Dual Valve Assemblies

