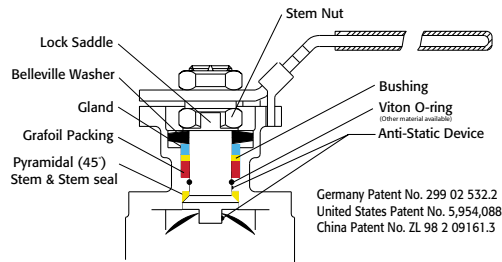


**API 607 - 4th Edition
CERTIFIED**



Triac FD9 Series Flanged Ball Valves feature a direct mount automation pad. The high quality investment castings feature a fully machined bore. The superior live-loaded packing system is accomplished with Belleville washers, "V" ring packing and unique primary pyramidal stem seal. This advanced sealing system provides for protection against stem leaks experienced by ordinary ball valves.



VALVE SIZE	VALVE CV
1/2"	15
3/4"	45
1"	85
1-1/2"	275
2"	460
2-1/2"	700
3"	1100
4"	2200
6"	5150

Reinforced RTFE seats are standard, but various options are available for seat materials. The 50/50 seat option is excellent for services that call for higher temperatures and more difficult applications, including steam. Call us for details.

Easy to Automate!

See automated data sheets for pre-sized assemblies



Electric



Pneumatic

TRIAC
CONTROLS

Series FD9

300# Direct Mount Split Body Flanged Ball Valve

Firesafe

Sizes 1/2" – 6" Available

Available in 316SST or WCB

300# ANSI Flange

Full Port Design

Superior Live Loaded Packing System

ISO5211 Actuator Mounting Pad

Anti-Static Device

Each Valve Traceable**

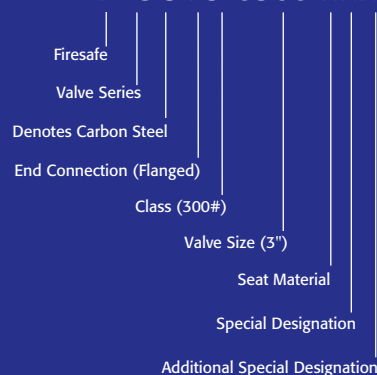


STANDARDS

Design	ANSI B16.34
Face to Face	ANSI B16.10
Flange Dimensions	ANSI B16.5
Pipeline Valve	API 6D
Pressure Testing	API 598
Fire Testing	API 607 4th Edition, BS 5351
Mounting Pad	ISO 5211
Marking System for Valves	MSS SP-25
Material Certification	EN 10204
Quality Assurance	ISO 9001

HOW TO ORDER MANUAL VALVES SAMPLE PART

FD9C-F3-0300-XXX



See part number matrix for itemized options

AT A-T Controls, Inc.

Triac Division
11363 Deerfield Rd.
Cincinnati, Ohio 45242

PHONE (513) 247-5465
FAX (513) 247-5462
e-mail: sales@a-tcontrols.com
www.a-tcontrols.com

SERIES FD9 300# Direct Mount Split Body Flanged Ball Valve

Firesafe

**MTRs available - call for details

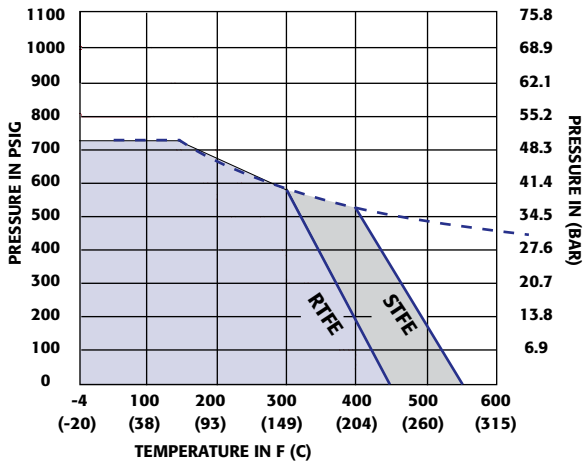
Series FD9

High Performance, Full Port 300# Split Body Ball Valve Series FD9 (ANSI Class 300)

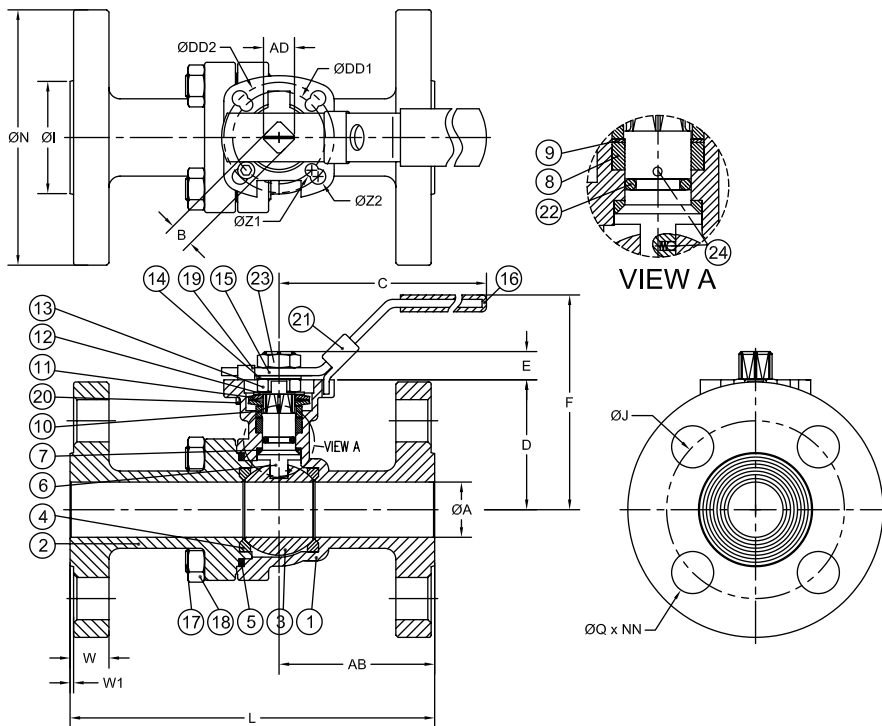
API 607 - 4th Edition
CERTIFIED

"Firesafe"

Pressure vs. Temperature Chart
For RTFE Seats



Dotted line shows the rating for the valve body. Solid line shows the rating for valve seat. Both ratings need to be consulted when determining the limitation of the valve for specific application.



BREAKAWAY TORQUES RTFE SEATS	
1/2"	125
3/4"	175
1"	220
1-1/2"	450
2"	525
2-1/2"	750
3"	1400
4"	1900
6"	3050

NOTE: For other seat material, consult factory

MATERIALS LIST

NO.	PART NAME	QTY.	MATERIAL	
			Stainless Steel	Carbon Steel
1	Body	1	CF8M	WCB
2	End Cap	1	CF8M	WCB
3	Ball	1	SS316	SS316
4	Seat	2	RTFE	RTFE
5	Joint Gasket	1	Graphite	Graphite
6	Stem	1	SS316	SS316
7	Stem Seal	1	RTFE	RTFE
8	Gland Packing	1	Graphite	Graphite
9	Bushing	1	RTFE	RTFE
10	Gland Bush	1	SS304	SS304
11	Belleville Washer	2	SS301	SS301
12	Stop Washer	1	SS304	SS304
13	Stem Nut	1	SS304	SS304
14	Stem Washer	1	SS304	SS304
15	Handle	1	SS304	SS304
16	Handle Sleeve	1	Vinyl	Vinyl
17	Bolt	*	SS304	SS304
18	Nut	*	SS304	SS304
19	Stop Pin	1	SS304	SS304
20	Pin Nut	1	SS304	SS304
21	Locking Device	1	SS304	SS304
22	O-Ring	1	Viton®	Viton®
23	Handle Nut	1	SS304	SS304
24	Antistatic Device	@	SS304	SS304

* For 1/2" - 2", 4 pieces of bolts and nuts
For 2-1/2" - 6", 8 pieces of bolts and nuts
@ For 1/2" - 1", 1 piece 1-1/2" - 6", 2 pieces

DIMENSIONS (IN)

SIZE	A	B	C	D	E	F	I	J	L	N	Q	W	W1	Z1	Z2	AB	AC	AD	DD1	DD2	NN	(LBS)	ISO5211
1/2"	0.59	0.433	6.50	1.92	0.39	3.40	1.38	2.62	5.50	3.75	0.63	0.56	0.06	0.26	0.28	2.32	1.17	0.55	1.654	1.969	4	5.0	F04/F05
3/4"	0.79	0.433	6.50	2.50	0.41	4.04	1.69	3.25	6.00	4.62	0.75	0.62	0.06	0.26	0.28	2.59	1.17	0.55	1.654	1.969	4	8.0	F04/F05
1"	0.98	0.433	6.50	2.50	0.41	4.06	2.00	3.50	6.50	4.88	0.75	0.69	0.06	0.26	0.28	2.78	1.17	0.55	1.654	1.969	4	10.5	F04/F05
1-1/2"	1.50	0.748	10.32	3.51	0.75	5.41	2.88	4.50	7.50	6.12	0.87	0.81	0.06	0.39	0.47	3.13	2.08	0.94	2.756	4.016	4	22.0	F07/F10
2"	1.97	0.748	10.32	3.80	0.75	5.87	3.62	5.00	8.50	6.50	0.75	0.88	0.06	0.39	0.47	3.81	2.08	0.94	2.756	4.016	8	28.5	F07/F10
2-1/2"	2.56	0.748	10.32	4.57	0.75	6.44	4.12	5.88	9.50	7.50	0.87	1.00	0.06	0.39	0.47	4.20	2.08	0.94	2.756	4.016	8	42.0	F07/F10
3"	3.15	0.866	14.37	5.22	0.91	8.10	5.00	6.62	11.12	8.25	0.87	1.12	0.06	0.47	0.55	5.10	2.55	1.17	4.016	4.921	8	59.0	F10/12
4"	3.94	0.866	14.37	6.18	0.91	8.70	6.19	7.88	12.00	10.00	0.87	1.25	0.06	0.47	0.55	5.50	2.55	1.17	4.016	4.921	8	96.0	F10/12
6"	5.91	1.063	29.53	8.28	1.12	13.00	8.50	10.62	15.87	12.50	0.87	1.44	0.06	0.55	0.71	7.30	3.07	1.40	4.921	5.512	12	213.0	F12/F14

Viton® is a registered trademark of E.I. DuPont de Nemours.
A-T Controls reserves the right to change product designs and technical/dimensional specifications without notice.

050111-FD9F3M

 **A-T Controls, Inc.**

Triac Division
11363 Deerfield Rd.
Cincinnati, Ohio 45242

PHONE (513) 247-5465
FAX (513) 247-5462
e-mail: sales@a-tcontrols.com
www.a-tcontrols.com