

5000M-WI

DYNAMOMETRIC SHACKLE WITH RADIO TRANSMISSION

Wireless load measuring shackle designed to measure a tension force.

Model 5000M-WI



Features

- Sturdy design
- Easy to install
- Loopin : Stainless steel
- Standard dimensions
- Full range of reception electronics
- Frequencies : from 2,4000 to 2,4835 GHz
- License : Exempted
- Power : 10 mW
- Range : 500 m open field
- Antenna : integrated
- Ability to stand by
- Ability of activation by radio
- Remote control of the batteries
- Options :
 - o external antenna (800 m open field)
 - o use in hazardous area (ATEX)

Applications

The dynamometric shackle 5000M-WI is perfectly designed for following applications :

- SL - HOIST : Load indication on hoisting devices and EOT cranes
- SL - FORCE : Industrial weging / Force measurement on test bench

Capacities

- from 1 to 400t (dimensions : see next page)
- from 500t to 1500t (dimensions on request)

Specifications	SL - FORCE	SL - HOIST	
Repeatability error	< ± 0.25	< ± 0.25	% F.S.
Linearity error	< ± 0.5	< ± 1	% F.S.
Creep error over 30 min.	< ± 0.3	< ± 0.3	% F.S.
Zero shift after loading	< ± 0.5	< ± 0.5	% F.S.
Reference temperature	23	23	C
Nominal temperature range	-10...+45	-10...+45	C
Service temperature range	-30...+70	-30...+70	C
Storage temperature range	-50...+85	-50...+85	C
Temperature coefficient of the sensitivity	< ± 0.2	< ± 0.2	% F.S./10 C
Temperature coefficient of zero signal	< ± 0.2	< ± 0.2	% F.S./10 C
Nominal sensitivity	1.5	1	mVV
Safe load limit	150	200	% F.S.
Breaking load	> 300	> 500	% F.S.
Static lateral force limit	100	150	% F.S.
Permissible dynamic loading	50	75	% F.S.
Reference excitation voltage.	3 VDC (2 x AA batteries)	3 VDC (2 x AA batteries)	-
Consumption	65 mA	65 mA	-
Current @ stand-by mode	20 µA	20 µA	µA
Autonomy @ normal mode (2 batteries)	1 month	1 month	-
Autonomy @ 12 x 5mn/day mode (2 D batteries)	2 years	2 years	years

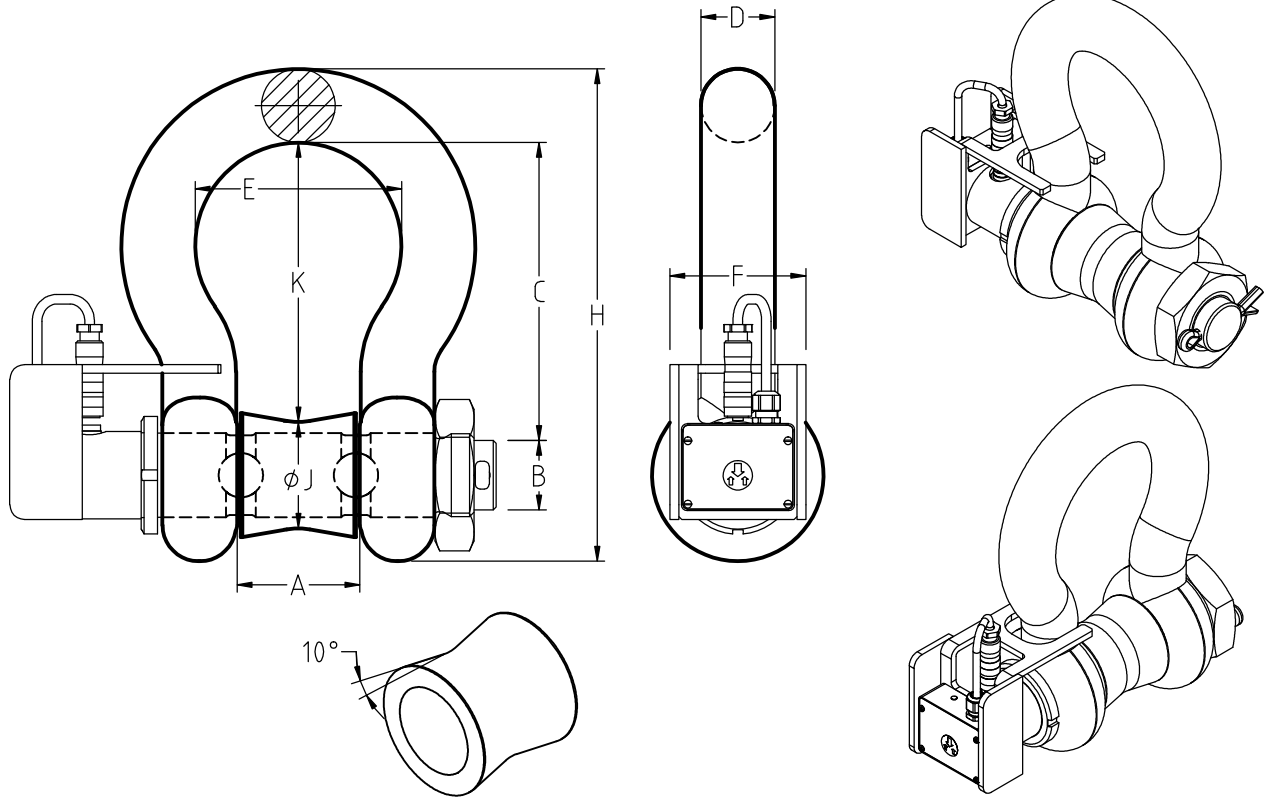
F.S.: full scale - Specifications subject to change without notice

LOAD MEASURING SHACKLES

model 5000M-WI

AXLE IN STAINLESS STEEL

Range 1 - 400t WIRELESS IP65



SIZE	CAPACITIES		A	B	C	D	E	F	H	φJ	K	TOLERANCES ±		Total Weight(kg)	
	HOISTING	FORCE										C & K	A		
3/4"	1 - 1.5t.	2 - 4t.	31	22	75	19	51	46	126	34	65	6.5	1.6	3	
7/8"	2.5t.	6t.	36	25	84	22	58	53	148	35.5	79			3.5	
1"	4 t.	8 t.	43	28	95	25	68	60.5	167	37	90			4	
1 1/8"	5 t.	9 t.	46	32	108	28	74	68.5	190	40	104			5	
1 3/8"	6.3 t.	11 t.	57	38	133	35	92	85	233	50	127		3.5	8.5	
1 1/2"	8 t.	12 t.	60	42	146	38	99	92	254	54	140			12	
1 3/4"	12 t.	16 t.	73	50	178	45	127	106	313	65	171			19	
2"	20 t.	32 t.	83	57	197	50	138	122	348	72	189		6.5	/	28
2 1/2"	30 t.	40 t.	105	70	264	65	180	145	453	90	250				52
3"	45 t.	70 t.	127	80	330	75	190	165	546	105	319				96
3 3/4"	75 t.	87 t.	147	95	400	95	238	203	647	117	389	150			
4"	80 t.	115 t.	140	108	368	104	254	229	653	130	357	207			
4 7/8"	115 t.	200 t.	200	140	540	130	305	308	921	165	527	/	/	340	
5 5/16"	150 t.	300 t.	200	150	600	140	305	335	1018	180	585	/	/	350	
6 1/2"	200 t.	400 t.	225	175	650	170	325	387	1137	200	630	/	/	585	

Other capacities : On request