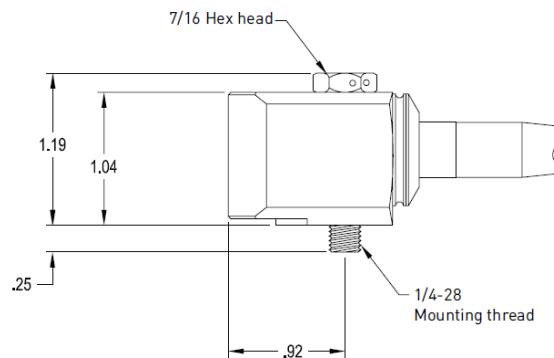
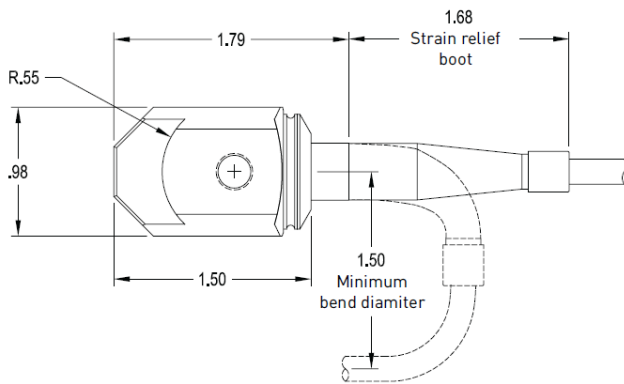


Low profile, general purpose accelerometer 787F



Key features

- Corrosion resistant
- Hermetically sealed
- Ground isolated
- ESD protection
- EMI/RFI protection
- Reverse wiring protection
- Mounts in any orientation



Connections	
Function	Cable conductor color
power / signal	white
common	black
case	shield

Note: Due to continuous process improvement, specifications are subject to change without notice.
This document is cleared for public release.

Wilcoxon Sensing Technologies
20511 Seneca Meadows Parkway
Germantown, MD 20876
info@wilcoxon.com

Tel: (301) 330 8811
Fax: (301) 330 8873
www.wilcoxon.com

Wilcoxon Sensing Technologies
An Amphenol Company

Low profile, general purpose accelerometer 787F

SPECIFICATIONS

Sensitivity, ± 5%, 25° C	100 mV/g
Acceleration range	80 g peak
Amplitude nonlinearity	1%
Frequency response:	
± 10%	1.0 - 5,000 Hz
± 3 dB	0.7 - 10,000 Hz
Resonance frequency	22 kHz
Transverse sensitivity, max	5% of axial
Temperature response:	
-50° C	-5%
+120° C	+5%
Voltage source	18 - 30 VDC
Current regulating diode	2 - 10 mA
Electrical noise, equiv g, nominal:	
Broadband 2.5 Hz to 25 kHz	700 µg
Spectral 10 Hz	10 µg/√Hz
100 Hz	5 µg/√Hz
1000 Hz	5 µg/√Hz
Output impedance, max	100 Ω
Bias output voltage	12 VDC
Grounding	case isolated, internally shielded
Temperature range	-50 to +120° C
Vibration limit	500 g
Shock limit, min	5,000 g
Electromagnetic sensitivity, equiv g, max	70 µg/gauss
Sealing	hermetic
Base strain sensitivity, max	0.002 g/µstrain
Hydrostatic pressure	100 psi
Sensing element design	PZT ceramic / shear
Weight	145 grams
Case material	316L stainless steel
Mounting	1/4-28 captive hex head screw with 0.046" diameter safety wire hole
Integral cabling	J9T2A, 16 ft., blunt cut

Contact

Wilcoxon Sensing
Technologies

20511 Seneca Meadows Parkway
Germantown MD 20876, USA

Tel: +1 301 330 8811
Fax: +1 301 330 8873

info@wilcoxon.com

www.wilcoxon.com

Accessories supplied:

- #80165-01 captive hex head screw
- Calibration data (level 2)

Note: Due to continuous process improvement, specifications are subject to change without notice.
This document is cleared for public release.

Wilcoxon Sensing Technologies
20511 Seneca Meadows Parkway
Germantown, MD 20876
info@wilcoxon.com

Tel: (301) 330 8811
Fax: (301) 330 8873
www.wilcoxon.com

Wilcoxon Sensing Technologies
An Amphenol Company