

INTERNATIONAL METAL ENGINEERING

MODEL 1080 STAINLESS STEEL EXPLOSION PROOF THERMOCOUPLE HEAD

- EXPLOSION PROOF CERTIFIED
- NEMA 4X AND IP66/68 CONSTRUCTION
- WIDE SELECTION OF CONDUIT SIZES
- OPTION FOR A CUSTOMIZED SS NAMEPLATE
- WIDE RANGE OF ACCESSORIES



Introduction

Material of Construction:

SS 316

Certification:

FM/CSA/ATEX/IECEX Explosion Proof Certified, NEMA 4X and IP66/68

Connections

1/2" NPT, 3/4" NPT, 1/2" BSP, M20x1.5P

Mounting Holes

See attached drawing

Surface Finishing

Electro-Polished

"O" Ring

Buna "N"


Weight


1.0 KG (2.2 lbs)


Accessories


SS Ball Chain, Terminal Block (Ceramic/Bakelite, Optional)
Custom Designed SS Nameplate

Certification System

 FM APPROVED	CLASS I, DIV I GROUPS B, C AND D CLASS II, DIV I GROUPS E, F AND G NEMA 4X, IP66
---	--

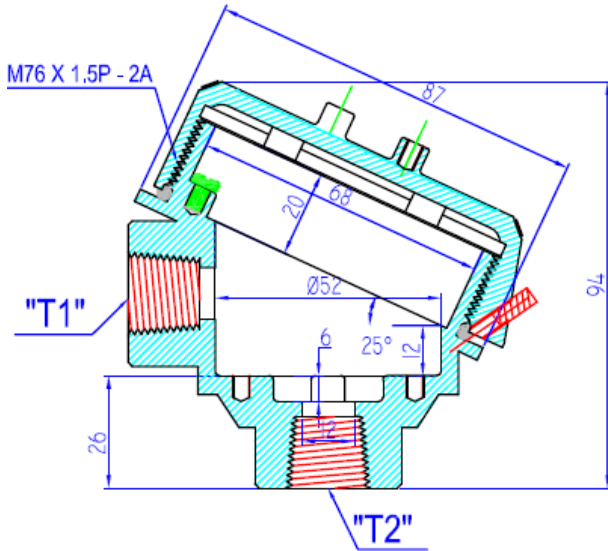
	CLASS I, DIV I GROUPS B, C AND D CLASS II, DIV I GROUPS E, F AND G NEMA 4X
---	--

	ATEX II 2GD Ex d IIC Gb Ta = -40°C to 85°C Ex tb IIIC Db IP68
---	---

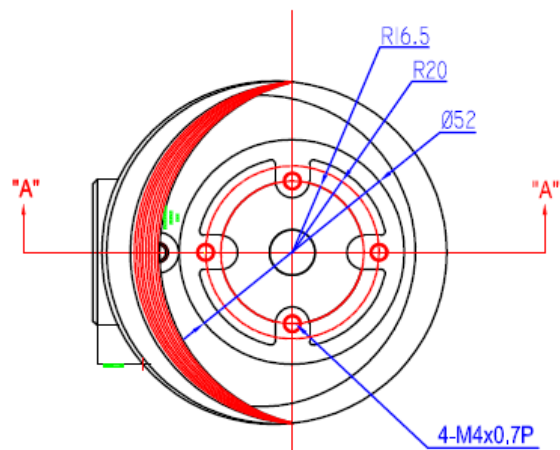
	Ex d IIC Gb Ta = -40°C to 85°C Ex tb IIIC Db IP68
---	--

Dimensions

Assembly Drawing



M4 X 0.7 Mounting Hole Positions



INTERNATIONAL METAL ENGINEERING

MODEL 1080 STAINLESS STEEL EXPLOSION PROOF THERMOCOUPLE HEAD

IME Model 1080 Series Stainless Steel Thermocouple Heads are designed specifically for explosion proof applications and constructed out of SS316 Stainless Steel to withstand applications where aggressive atmospheres prevail.

This housing accommodates a terminal block or head mounted transmitter 50mm (2.0") in diameter that can be mounted using M4 screws as indicated in the attached drawing. Some units as indicated has a provision for a customer designed SS nameplate with information such as model number, company name, logo, and website etc.

Ordering Information for Explosion Proof Heads

Model	Description																					
1080SE	FM/CSA Ex-Proof Certified, NEMA 4X, IP66, SS 316 Thermocouple Head, Electro-Polished																					
1080SA	FM/CSA Ex-Proof Certified, NEMA 4X, IP66, SS 316 Thermocouple Head with Provision for Name Plate, Electro-Polished																					
1080ST	ATEX / IECEx Ex-Proof Certified, IP68, SS 316 Thermocouple Head with Provision for Name Plate, Electro-Polished																					
1080SM	FM / CSA / ATEX / IECEx Ex-Proof Certified, NEMA 4X, IP66/68, SS 316 Thermocouple Head with Provision for Name Plate Electro-Polished																					
	<table border="1"> <thead> <tr> <th>Code</th> <th>Conduit Size (T1)</th> <th>Instrument Connection (T2)</th> </tr> </thead> <tbody> <tr> <td>01</td> <td>T1=3/4" NPT</td> <td>T2=1/2"NPT</td> </tr> <tr> <td>02</td> <td>T1=1/2" NPT</td> <td>T2=1/2"NPT</td> </tr> <tr> <td>05</td> <td>T1=M20X1.5 (See Note 2)</td> <td>T2=1/2"BSP (See Note 1)</td> </tr> <tr> <td>08</td> <td>T1=M20X1.5 (See Note 2)</td> <td>T2=1/2"NPT</td> </tr> <tr> <td>33</td> <td>T1=3/4" NPT</td> <td>T2=3/4" NPT</td> </tr> <tr> <td>XX</td> <td>Specify</td> <td>Specify</td> </tr> </tbody> </table>	Code	Conduit Size (T1)	Instrument Connection (T2)	01	T1=3/4" NPT	T2=1/2"NPT	02	T1=1/2" NPT	T2=1/2"NPT	05	T1=M20X1.5 (See Note 2)	T2=1/2"BSP (See Note 1)	08	T1=M20X1.5 (See Note 2)	T2=1/2"NPT	33	T1=3/4" NPT	T2=3/4" NPT	XX	Specify	Specify
Code	Conduit Size (T1)	Instrument Connection (T2)																				
01	T1=3/4" NPT	T2=1/2"NPT																				
02	T1=1/2" NPT	T2=1/2"NPT																				
05	T1=M20X1.5 (See Note 2)	T2=1/2"BSP (See Note 1)																				
08	T1=M20X1.5 (See Note 2)	T2=1/2"NPT																				
33	T1=3/4" NPT	T2=3/4" NPT																				
XX	Specify	Specify																				

1080SM	-	01	←	Typical Model Number
--------	---	----	---	----------------------

Note :

- 1 BSP Thread is not Certified by FM & CSA
- 2 M20X1.5 is not Certified By CSA

Ordering Information for General Purpose Heads

Model	Description																					
1080SN	SS 316 Thermocouple Head with Provision for Name Plate, Electro-Polished																					
1080SF	SS 316 Thermocouple Head, Electro-Polished (Clear Cover)																					
1080SG	SS 316 Thermocouple Head with Tempered Glass Window, Electro-Polished																					
	<table border="1"> <thead> <tr> <th>Code</th> <th>Conduit Size (T1)</th> <th>Instrument Connection (T2)</th> </tr> </thead> <tbody> <tr> <td>01</td> <td>T1=3/4" NPT</td> <td>T2=1/2"NPT</td> </tr> <tr> <td>02</td> <td>T1=1/2" NPT</td> <td>T2=1/2"NPT</td> </tr> <tr> <td>05</td> <td>T1=M20X1.5</td> <td>T2=1/2"BSP</td> </tr> <tr> <td>08</td> <td>T1=M20X1.5</td> <td>T2=1/2"NPT</td> </tr> <tr> <td>33</td> <td>T1=3/4" NPT</td> <td>T2=3/4" NPT</td> </tr> <tr> <td>XX</td> <td>Specify</td> <td>Specify</td> </tr> </tbody> </table>	Code	Conduit Size (T1)	Instrument Connection (T2)	01	T1=3/4" NPT	T2=1/2"NPT	02	T1=1/2" NPT	T2=1/2"NPT	05	T1=M20X1.5	T2=1/2"BSP	08	T1=M20X1.5	T2=1/2"NPT	33	T1=3/4" NPT	T2=3/4" NPT	XX	Specify	Specify
Code	Conduit Size (T1)	Instrument Connection (T2)																				
01	T1=3/4" NPT	T2=1/2"NPT																				
02	T1=1/2" NPT	T2=1/2"NPT																				
05	T1=M20X1.5	T2=1/2"BSP																				
08	T1=M20X1.5	T2=1/2"NPT																				
33	T1=3/4" NPT	T2=3/4" NPT																				
XX	Specify	Specify																				

1080SN	-	01	←	Typical Model Number
--------	---	----	---	----------------------