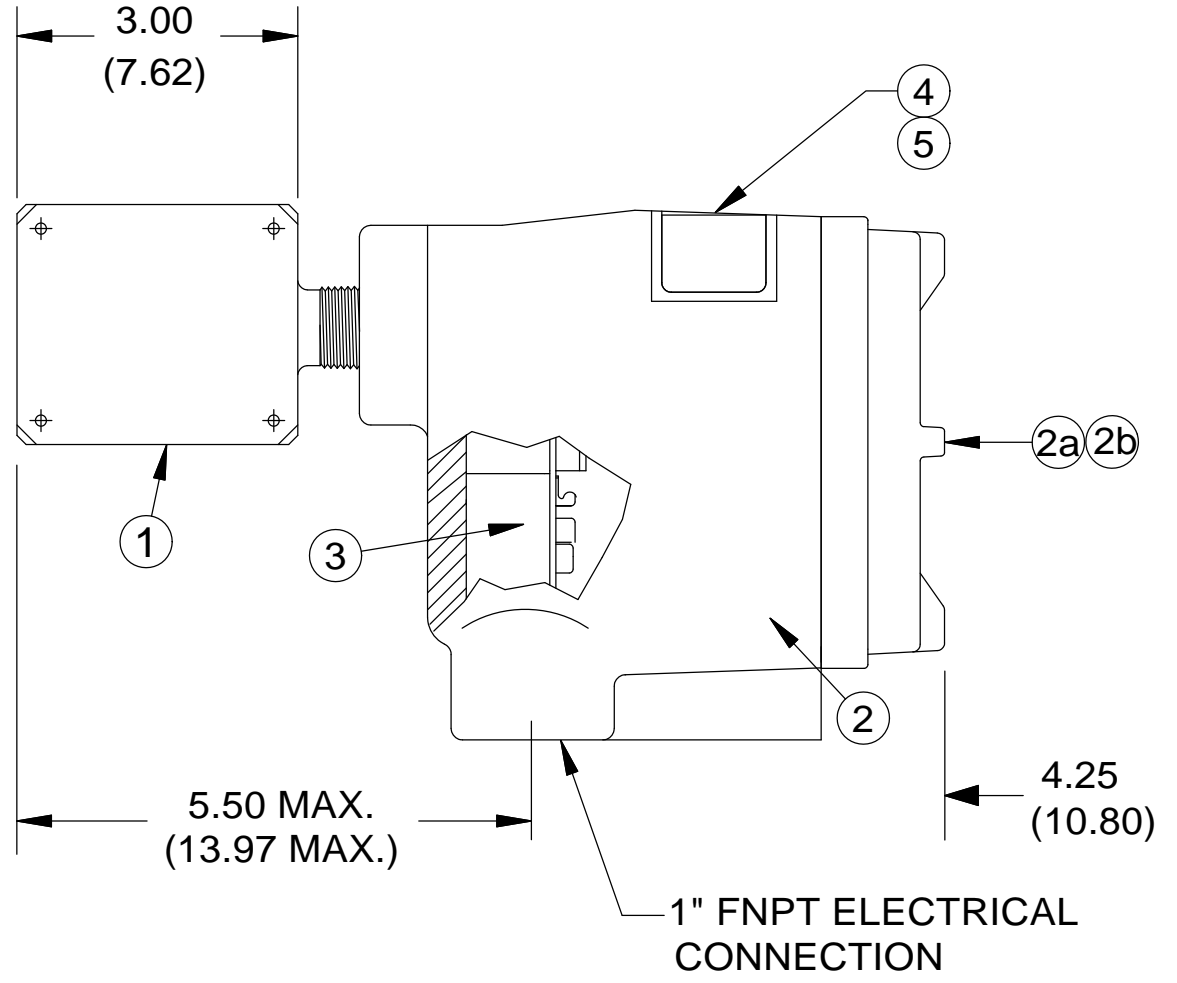
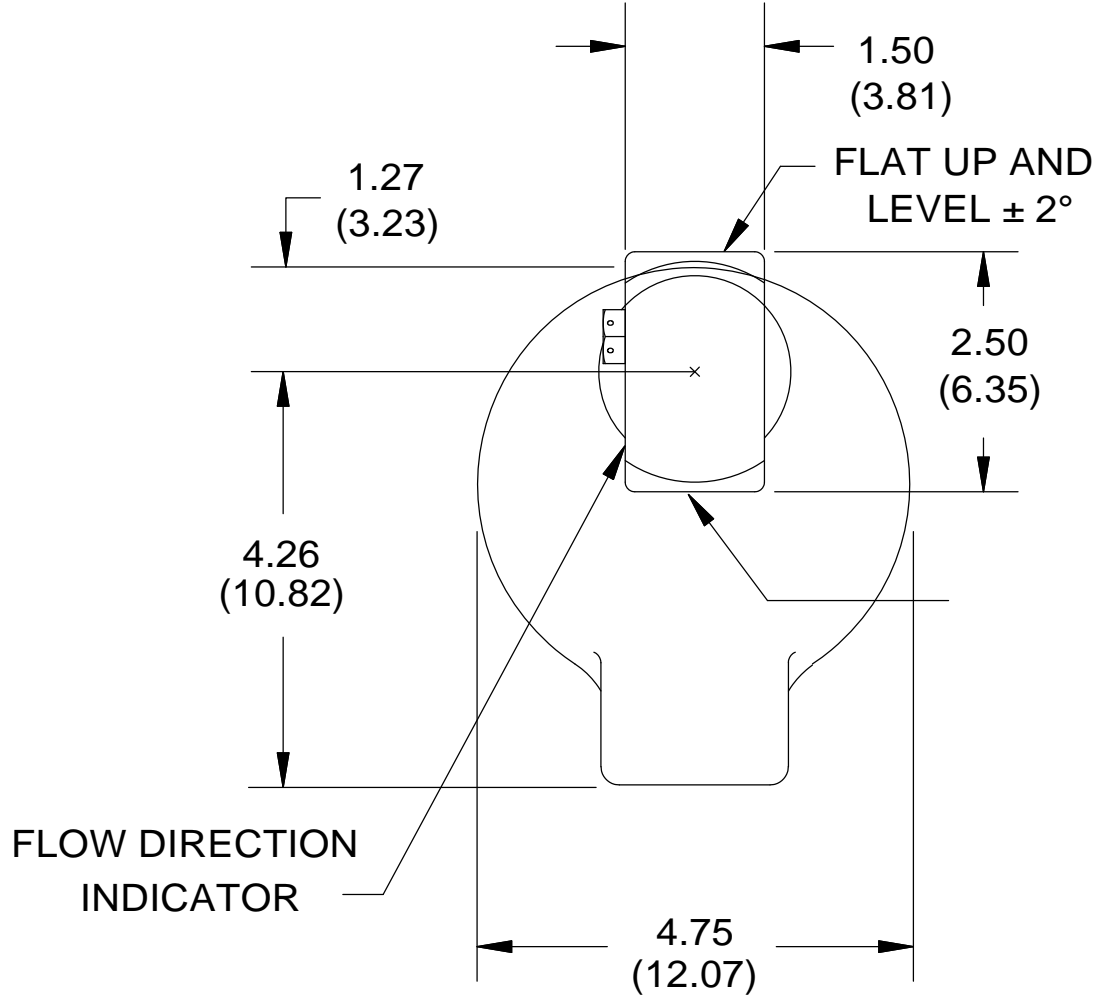


8 7 6 5 4 3 2 1

REVISIONS				
ZONE	REV.	DESCRIPTION	DATE	APPROVED
All	0	Initial Release	16June02	Chidley
	1	Edited text	25Jan11	
	2	Changed footer note, added confidential note, modified title, title box and rev table. Modified small table.	04Jun13	TDH



UNLESS OTHERWISE SPECIFIED:		NAME	DATE
DIMENSIONS ARE IN INCHES	DRAWN	MW	15MAY13
TOLERANCES: ANGULAR: 0.5° ONE PLACE DECIMAL ± 0.1 TWO PLACE DECIMAL ± 0.02 THREE PLACE DECIMAL ± 0.007	CHECKED	EC	23MAY13
INTERPRET GEOMETRIC TOLERANCING PER:	ENG APPR.	TDH	04JUN13
MATERIAL	COMMENTS:		
FINISH			
DO NOT SCALE DRAWING			



TITLE:
CLASSIC 830 Series
Threaded InLine
Vertical with Bleed Port
Local Electronics

SIZE	DWG. NO.	REV
B	D15-830-RA3D-0035AV-LE	2

8 7 6 5 4 3 2 1

BOM			
ITEM	DESCRIPTION	PART NUMBER	QTY
*1	Sensor, InLine, Threaded	P42-RA3D-0035-XXXXM	1
2	Flameproof Enclosure (1" x 1" FNPT) c/w Terminal Assembly	N10-100A-E	1
2a	<input checked="" type="checkbox"/> Glass Lens Cover - Flameproof	M10-1G00	1
2b	<input type="checkbox"/> Blind Cover - Flameproof	M10-1B00	1
3	CLASSIC Electronics Module (12-24 VDC, 115-230 VAC)	L10-800-C-E	1
4	Nameplate, Foil	2400-0002	1
5	Nameplate, Overlay	2401-0001	1

***1. Sensor Assembly Selection Guide:**
P42-RA3D-0035-XXXXM, Where XXXXM = the following:

w/Bleed Port = AxxxM
Horizontal Orientation = xHxxM Vertical Orientation = xVxxM
No Injection Tube = xx0xM 1/4" I.D. Injection Tube = xx1xM 1/8" I.D. Injection Tube = xx2xM
No Mounting Bracket Kit = xxxAx Mounting Bracket Kit = xxxBx
Molex Sensor Connection = xxxxM

UNLESS OTHERWISE SPECIFIED:		NAME	DATE
DIMENSIONS ARE IN INCHES TOLERANCES: ANGULAR: 0.5° ONE PLACE DECIMAL ±0.1 TWO PLACE DECIMAL ±0.02 THREE PLACE DECIMAL ±0.007	DRAWN	MW	15MAY13
	CHECKED	EC	23MAY13
	ENG APPR.	TDH	04JUN13
INTERPRET GEOMETRIC TOLERANCING PER:			
MATERIAL	COMMENTS:		
FINISH			
DO NOT SCALE DRAWING			



TITLE:
Parts List - CLASSIC 830 Series
Threaded InLine
Vertical with Bleed Port
Local Electronics

SIZE	DWG. NO.	REV
B	D15-830-RA3D-0035AV-LE	2