

- INPUT Pt100 RTD
- 4 DIGIT LCD DISPLAY IN DEGREES C OR F
- POLYCARBONATE ENCLOSURE
- DESIGNED TO REPLACE BIMETALLIC SENSORS
- WALL OR PIPE MOUNTING



**Introduction**

IME Model 108KN is a Battery Operated Digital Temperature Indicator which accepts a standard Pt100 RTD sensor and provides a crisp 4 digit LCD(approx height 12.5mm or 1/2"). When compared to the archaic Bimetallic indicators, operating costs are reduced since just one device covers the entire range of local temperature measurement(-200°C to +850°C) with higher accuracy.

**Description**

Model 108KN is designed for use in process industries where vibration, inclement weather and corrosive atmospheres prevail. The electronics are enclosed in a low cost UV resistant polycarbonate housing, which meets NEMA 4X and IP66/68 requirements.

**Mounting**

The Model 8080KN can be either remotely mounted or mounted directly on the thermowell/nipple assembly. For mounting the unit on a wall or 2" pipe a wide choice of stainless steel brackets are also available.(See Page 2)

**Functional Specifications**

**Sensor**

RTD Pt100

**Indication Accuracy**

Better than ±0.1 °C

**Display Height**

12.5mm (1/2") high

**Display Units**

°C or °F, switch selectable

**Battery Life**

Approx. 24 Months using Lithium AA cells (Batteries provided)

**Calibration**

Single point calibration for enhanced accuracy

**Ambient Operating Temperature**

-20°C to +60°C

**Material of Construction of Enclosure**

UV Resistant Polycarbonate

**O Rings**

Hydrogenated Nitrile

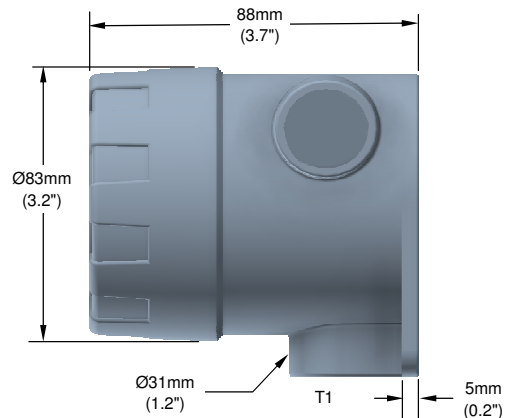
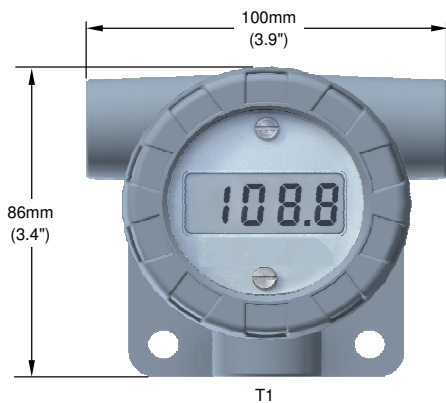
**Optional Accessories**

Mounting Brackets (Model 175RC & 175PM)

**Ordering Information**

See page 2 for complete ordering information.

**POLYCARBONATE ENCLOSURE DIMENSIONS**



## ORDERING INFORMATION FOR TEMPERATURE INDICATOR

Model	Description																				
108KN	Field Mounted Battery Powered Digital Temperature Indicator																				
	<table border="1"> <thead> <tr> <th>Code</th> <th>Instrument Connection (T1)</th> <th>Conduit Size (T2)</th> </tr> </thead> <tbody> <tr> <td>01</td> <td>M16 x 2P(See Note 1)</td> <td>None</td> </tr> <tr> <td>02</td> <td>1/2" NPT</td> <td>None</td> </tr> <tr> <td>03</td> <td>1/2" BSP</td> <td>None</td> </tr> <tr> <td>XX</td> <td>OTHER(SPECIFY)</td> <td>OTHER(SPECIFY)</td> </tr> </tbody> </table>	Code	Instrument Connection (T1)	Conduit Size (T2)	01	M16 x 2P(See Note 1)	None	02	1/2" NPT	None	03	1/2" BSP	None	XX	OTHER(SPECIFY)	OTHER(SPECIFY)					
Code	Instrument Connection (T1)	Conduit Size (T2)																			
01	M16 x 2P(See Note 1)	None																			
02	1/2" NPT	None																			
03	1/2" BSP	None																			
XX	OTHER(SPECIFY)	OTHER(SPECIFY)																			
	<table border="1"> <thead> <tr> <th>Code</th> <th>Size of Thread &amp; Cable(mm) for Nylon Cable Glands</th> </tr> </thead> <tbody> <tr> <td>C00</td> <td>No Cable Gland Required</td> </tr> <tr> <td>C01</td> <td>1/2" NPT, Cable Size 5-9mm dia, IME Model 108CG-N-01</td> </tr> <tr> <td>C02</td> <td>1/2" NPT, Cable Size 6-12mm dia, IME Model 108CG-N-02</td> </tr> <tr> <td>C03</td> <td>1/2" NPT, Cable Size 10-14mm dia, IME Model 108CG-N-03</td> </tr> <tr> <td>C04</td> <td>3/4" NPT, Cable Size 9-16mm dia, IME Model 108CG-N-04</td> </tr> <tr> <td>C05</td> <td>3/4" NPT, Cable Size 13-18mm dia, IME Model 108CG-N-05</td> </tr> <tr> <td>C06</td> <td>M20 x 1.5P, Cable Size 5-9mm dia, IME Model 108CG-N-06</td> </tr> <tr> <td>C07</td> <td>M20 x 1.5P, Cable Size 6-12mm dia, IME Model 108CG-N-07</td> </tr> <tr> <td>C08</td> <td>M20 x 1.5P, Cable Size 10-14mm dia, IME Model 108CG-N-08</td> </tr> </tbody> </table>	Code	Size of Thread & Cable(mm) for Nylon Cable Glands	C00	No Cable Gland Required	C01	1/2" NPT, Cable Size 5-9mm dia, IME Model 108CG-N-01	C02	1/2" NPT, Cable Size 6-12mm dia, IME Model 108CG-N-02	C03	1/2" NPT, Cable Size 10-14mm dia, IME Model 108CG-N-03	C04	3/4" NPT, Cable Size 9-16mm dia, IME Model 108CG-N-04	C05	3/4" NPT, Cable Size 13-18mm dia, IME Model 108CG-N-05	C06	M20 x 1.5P, Cable Size 5-9mm dia, IME Model 108CG-N-06	C07	M20 x 1.5P, Cable Size 6-12mm dia, IME Model 108CG-N-07	C08	M20 x 1.5P, Cable Size 10-14mm dia, IME Model 108CG-N-08
Code	Size of Thread & Cable(mm) for Nylon Cable Glands																				
C00	No Cable Gland Required																				
C01	1/2" NPT, Cable Size 5-9mm dia, IME Model 108CG-N-01																				
C02	1/2" NPT, Cable Size 6-12mm dia, IME Model 108CG-N-02																				
C03	1/2" NPT, Cable Size 10-14mm dia, IME Model 108CG-N-03																				
C04	3/4" NPT, Cable Size 9-16mm dia, IME Model 108CG-N-04																				
C05	3/4" NPT, Cable Size 13-18mm dia, IME Model 108CG-N-05																				
C06	M20 x 1.5P, Cable Size 5-9mm dia, IME Model 108CG-N-06																				
C07	M20 x 1.5P, Cable Size 6-12mm dia, IME Model 108CG-N-07																				
C08	M20 x 1.5P, Cable Size 10-14mm dia, IME Model 108CG-N-08																				
	<table border="1"> <thead> <tr> <th>Code</th> <th>Accessories (See Page5)</th> </tr> </thead> <tbody> <tr> <td>RC</td> <td>Model 175RC Mounting Bracket</td> </tr> <tr> <td>PM</td> <td>Model 175PM Mounting Bracket</td> </tr> </tbody> </table>	Code	Accessories (See Page5)	RC	Model 175RC Mounting Bracket	PM	Model 175PM Mounting Bracket														
Code	Accessories (See Page5)																				
RC	Model 175RC Mounting Bracket																				
PM	Model 175PM Mounting Bracket																				
	<table border="1"> <thead> <tr> <th>Code</th> <th>2 Inch "U" Bolt with Nuts and Washers</th> </tr> </thead> <tbody> <tr> <td>00</td> <td>None</td> </tr> <tr> <td>01</td> <td>Model 17508, 1 Set (For Model 175RC)</td> </tr> <tr> <td>02</td> <td>Model 17508, 2 Sets (For Model 175PM)</td> </tr> </tbody> </table>	Code	2 Inch "U" Bolt with Nuts and Washers	00	None	01	Model 17508, 1 Set (For Model 175RC)	02	Model 17508, 2 Sets (For Model 175PM)												
Code	2 Inch "U" Bolt with Nuts and Washers																				
00	None																				
01	Model 17508, 1 Set (For Model 175RC)																				
02	Model 17508, 2 Sets (For Model 175PM)																				

108KN	02	C02	RC	01	← Typical Model Number
-------	----	-----	----	----	------------------------

Note:

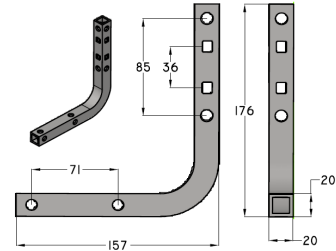
- 1 Ports with M16 x 2P thread are not through holes, they are for Mounting only.

### STAINLESS STEEL MOUNTING BRACKET MODEL 175RC

#### Introduction

This simple hollow square mounting bracket constructed out of SS316 Stainless Steel, can be used to mount a variety of field devices, either on a wall or panel or a 2" Pipe.

When mounting on a 2" pipe, a "U" Bolt is required, which can be supplied optionally.

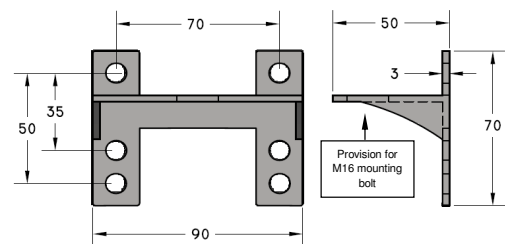


### STAINLESS STEEL MOUNTING BRACKET MODEL 175PM

#### Introduction

This simple "L" Shape mounting bracket constructed out of SS316 Stainless Steel, can be used to mount a variety of field devices, either on a wall or panel or on a 2" pipe.

When mounting on a 2" pipe, two "U" Bolts are required, which can be supplied optionally.



### NYLON CABLE GLANDS MODEL 108CG

THREAD SIZE	CABLE SIZE(mm)	MODEL NO
1/2" NPT	5-9	108CG-N-01
	6-12	108CG-N-02
	10-14	108CG-N-03
3/4" NPT	9-16	108CG-N-04
	13-18	108CG-N-05
M20 x 1.5P	5-9	108CG-N-06
	6-12	108CG-N-07
	10-14	108CG-N-08

