



# Pneumatic Double Acting Automated Ball Valve Package

Series F88  
3-Piece Ball Valve



Firesafe  
Direct Mount  
Full Port Valve

1500 & 2000 psi WOG  
(by size)

Available 1/4"– 4"

316SS or WCB Body

316SS Ball & Stem

Bellville Washers, Double  
Chevron Packing, RTFE  
Seats Standard

Threaded, SW or BW

### STANDARDS

ANSI B16.34, B16.25, B1.20.1, B16.11  
API 6D, 598, 607  
ISO 5211, 5209, 5752, 7/1, 261  
MSS PS25, PS72  
BS 5351, 6755-1, 6755-2

API 607 - 4th Edition  
CERTIFIED

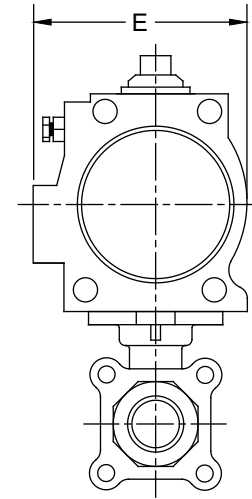
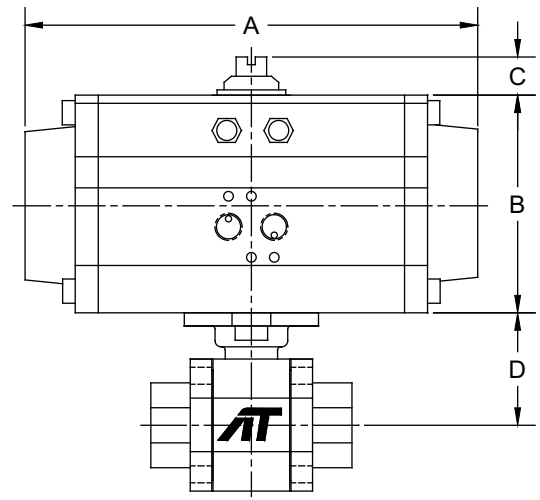


Direct Mount  
Firesafe tested to API-607

### DIMENSIONS (IN)

VALVE SIZE	A	B	C	D	E	VALVE Cv
1/4"	5.98	2.76	0.79	1.66	2.58	7
3/8"	5.98	2.76	0.79	1.66	2.58	8
1/2"	5.98	2.76	0.79	1.66	2.58	15
3/4"	7.95	3.43	0.79	1.83	3.29	40
1"	7.95	3.43	0.79	2.31	3.29	70
1-1/4"	7.95	3.43	0.79	2.46	3.29	110
1-1/2"	9.29	4.49	0.79	3.11	4.41	250
2"	9.29	4.49	0.79	3.42	4.41	430
2-1/2"	10.87	4.88	0.79	4.28	4.82	600
3"	11.46	5.28	0.79	4.63	5.20	1100
4"	13.90	6.18	0.79	5.26	6.04	2000

DIMENSIONS SHOWN ARE FOR ASSEMBLIES SIZED FOR 80 PSI SUPPLY

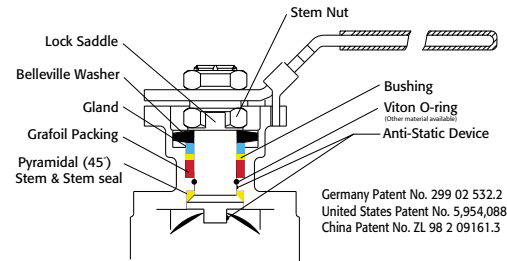


SERIES F88 3 Piece

Firesafe

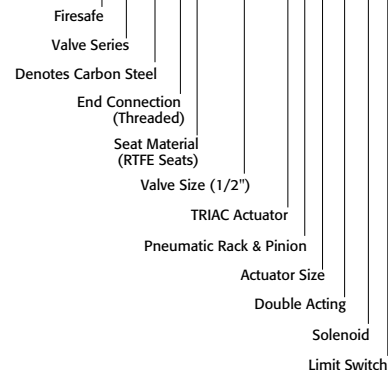
SIZED FOR 80 psi AIR SUPPLY	
SIZE	MODEL
1/4"	F88-TX-025/TR1D-XX
3/8"	F88-TX-038/TR1D-XX
1/2"	F88-TX-050/TR1D-XX
3/4"	F88-TX-075/2R2D-XX
1"	F88-TX-100/2R2D-XX
1-1/4"	F88-TX-125/2R2D-XX
1-1/2"	F88-TX-150/2R3D-XX
2"	F88-TX-200/2R3D-XX
2-1/2"	F88-TX-250/2R4D-XX
3"	F88-TX-300/2R5D-XX
4"	F88-TX-400/2R6D-XX

SIZED FOR 60 psi AIR SUPPLY	
SIZE	MODEL
1/4"	F88-TX-025/TR1D-XX
3/8"	F88-TX-038/TR1D-XX
1/2"	F88-TX-050/TR1D-XX
3/4"	F88-TX-075/2R2D-XX
1"	F88-TX-100/2R2D-XX
1-1/4"	F88-TX-125/2R2D-XX
1-1/2"	F88-TX-150/2R3D-XX
2"	F88-TX-200/2R3D-XX
2-1/2"	F88-TX-250/2R4D-XX
3"	F88-TX-300/2R5D-XX
4"	F88-TX-400/2R6D-XX



Germany Patent No. 299 02 532.2  
United States Patent No. 5,954,088  
China Patent No. ZL 98 2 09161.3

SAMPLE PART #  
**F88C-TX-050/2R2D-XX**



### OPTIONS

DESCRIPTION	PART NO. SUFFIX	DESCRIPTION	PART NO. SUFFIX
NEMA 4 Solenoid	(A)	NEMA 4 Limit Switch (2) spdt	(A)
NEMA 7 Solenoid	(B)	NEMA 7 Limit Switch (2) spdt	(B)

Other options available - call for details  
Actuators are sized based on clean/clear fluid.

See valve part number matrix for complete part number and options.

050111-F88DA



Triac Division  
11363 Deerfield Rd.  
Cincinnati, Ohio 45242  
PHONE (513) 247-5465  
FAX (513) 247-5462  
e-mail: sales@a-tcontrols.com  
www.a-tcontrols.com