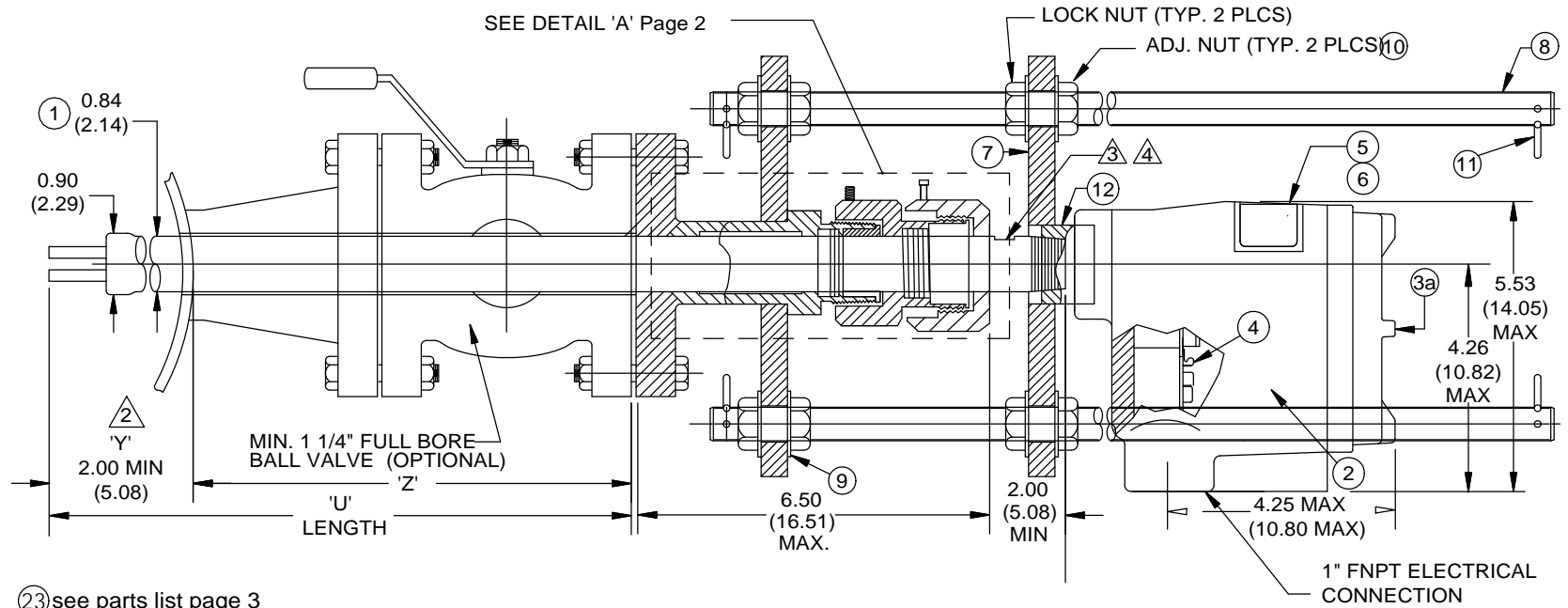


REVISIONS				
ZONE	REV.	DESCRIPTION	DATE	APPROVED
All	0	Initial Release	09May02	Webster
	1	Ball valve dim from 1 1/4" to 1"; Gland dim from 0.94 to 0.90."	17Jun10	
	2	Edited text	26Jan11	
	3	Changed footer note. Added confidential note. Modified title box & rev. table. Modified one dim. Added on item 12. Added "-M" on note *1.a). Changed P/N Item 7.	03Jun13	TDH



NOTES:

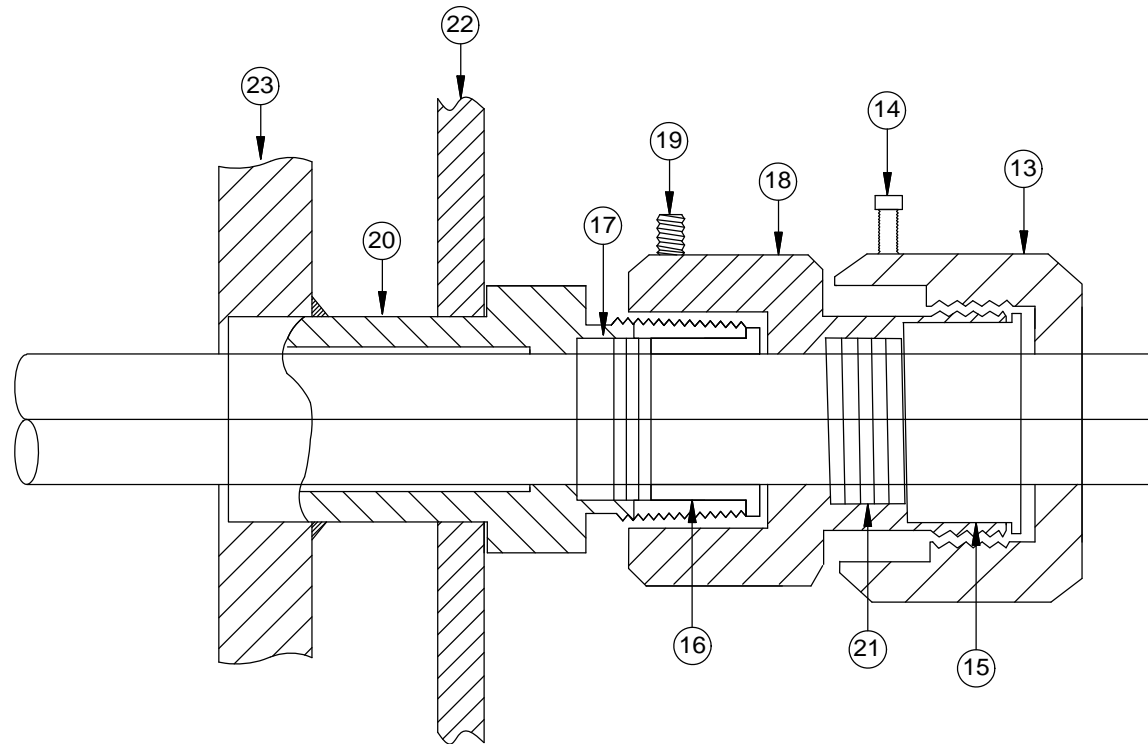
- 1. ① to ⑬ see parts list page 3
- ② Customer specified 'U' length.
- ③ Install top and bottom mounted units in horizontal pipe with flow arrow \longleftrightarrow parallel to flow direction.
- 5. Flange: Size: _____ Material: _____

UNLESS OTHERWISE SPECIFIED:	NAME	DATE
DIMENSIONS ARE IN INCHES	DRAWN MW	13MAY13
TOLERANCES: ANGULAR: 0.5° ONE PLACE DECIMAL ±0.1 TWO PLACE DECIMAL ±0.02 THREE PLACE DECIMAL ±0.007	CHECKED EC	21MAY13
INTERPRET GEOMETRIC TOLERANCING PER:	ENG APPR. TDH	03JUN13
MATERIAL	COMMENTS:	
FINISH		
DO NOT SCALE DRAWING		

KAYDEN
INSTRUMENTS

TITLE: **CLASSIC 814 Series**
Packing Gland - Flanged - 1" MNPT
Medium Pressure (500 PSI)
Local Electronics

SIZE	DWG. NO.	REV
B	D15-814-RAAYYAX-IXXX-LE	3



NOTES:

- All components - 316 Stainless Steel
(except packing and front support)

UNLESS OTHERWISE SPECIFIED:		NAME	DATE
DIMENSIONS ARE IN INCHES	DRAWN	MW	13MAY13
TOLERANCES:	CHECKED	EC	21MAY13
ANGULAR: 0.5°	ENG APPR.	TDH	03JUN13
ONE PLACE DECIMAL ±0.1			
TWO PLACE DECIMAL ±0.02			
THREE PLACE DECIMAL ±0.007			
INTERPRET GEOMETRIC TOLERANCING PER:	COMMENTS:		
MATERIAL			
FINISH			
DO NOT SCALE DRAWING			

KAYDEN[®]
I N S T R U M E N T S

TITLE: **CLASSIC 814 Series**
Packing Gland - Flanged - 1" MNPT
Medium Pressure (500 PSI)
Local/Remote Electronics: Detail 'A' Drawing

SIZE	DWG. NO.	REV
B	D15-814-RAAYYAX-IXXXX-LE	2

SCALE: NTS WEIGHT: SHEET 2 OF 3

BOM			
ITEM	DESCRIPTION	PART NUMBER	QTY
*1	Sensor Assembly; (probe only)	P22-RAAYYAX-XXXX	1
2	Flameproof Enclosure (3/4" x 1" FNPT)	M10-100A-D	1
3a	<input checked="" type="checkbox"/> Glass Lens Cover - Flameproof	M10-1G00	1
3b	<input type="checkbox"/> Blind Cover - Flameproof	M10-1B00	1
4	CLASSIC Electronics Module (12-24 VDC, 115-230 VAC)	L10-800-C-E	1
5	Nameplate, Foil	2400-0002	1
6	Nameplate, Overlay	2401-0001	1
7	Rear Support, Medium Pressure	2510-0311-1	1
8	5/8" Threaded Rod - Modified	2510-0414	'U'+7"
9	5/8" Flat Washer	2510-0427	8
10	Hex Nut, 5/8" UNC	2510-0417	8
11	Cotterpin	2510-0415	4
12	Hardware Reducer 3/4" x 1/2" (Optional)	2510-0021	1
***** ITEMS 13 THROUGH 23 REFER TO PAGE 2 (DETAIL 'A') *****			
13	Nut	2510-0305-B	1
14	Hex Cap Screw, 1/4" - 28 x 1/2" SS	2540-0020	4
15	Packing Follower	2510-0307-B	1
16	Seal Follower	2510-0304-B	1
17	Seal (U-Cup)	2510-0440	1
18	Nut w/Coupling	2510-0306-B	1
19	Stainless Steel Set Screw, 10-24 x 3/8" Allen	2540-0021	1
20	Sleeve	2510-0300-B	1
21	1/8" SQ. Teflon	Z2510-0429	A/R
22	Front Support, Medium Pressure	2510-0413-1	1
23	Flange	YYY	1

NOTES:

*1. a) **Sensor Assembly Selection Guide:**

P22-RAAYYAX-XXXX Where XXXX = Desired Probe 'U' Length.

eg. 'U' Length = 3.5" = P22-RAAYYAX-10035-MI or 36" = P22-RAAYYAX-10360-MI

b) I = Imperial (inches)

M = Metric (cm)

c) P22-RAAYYAX-XXXX-M (Where YYY = Code for type of flange)

eg. Flange = 1 1/2". 150# = (P22-RAA131AX-XXXX) See flange list

UNLESS OTHERWISE SPECIFIED:		NAME	DATE
DIMENSIONS ARE IN INCHES		MW	16MAY13
TOLERANCES:		CHECKED	EC
ANGULAR: 0.5°		ENG APPR.	TDH
ONE PLACE DECIMAL ±0.1		03JUN13	
TWO PLACE DECIMAL ±0.02			
THREE PLACE DECIMAL ±0.007			
INTERPRET GEOMETRIC TOLERANCING PER:			
MATERIAL			
FINISH		COMMENTS:	
DO NOT SCALE DRAWING			
KAYDEN INSTRUMENTS		Calgary, Alberta, Canada	
KAYDEN INSTRUMENTS		Phone: +1.403.253.1423 kayden.com	



CLASSIC 814 Series
Packing Gland - Flanged - 1" MNPT
Medium Pressure (500 PSI)
Local Electronics

SIZE	DWG. NO.	REV
B	D15-814-RAAYYAX-XXXX-LE	3
SCALE: NTS	WEIGHT:	SHEET 3 OF 3