

NOTES:

*1. Standard 'U' lengths available: 1.2", 2", 3", 4", 6", 9", 12" & 18"

*2. Custom 'U' length: _____

Information contained in this document is confidential and proprietary information of Telematic Controls Inc. This document may not be reproduced or distributed for any reason without express written permission of Telematic Controls Inc. All rights of design, invention and copyright are reserved.

Rev	Description	App.	Date
0	Initial release	Chidley	14May98
1	Edited text		08Apr11
2	Changed footer note. Added confidential note. Modified Title box & Rev. Table	TDH	03Jun13


APPROVALS		DATE		
DRN	MW	13MAY13		
CHKD	EC	17MAY13		
APP	TDH	03Jun13	TITLE CLASSIC 810 Series 1/2" MNPT; 1.2", 2", 3", 4", 6", 9", 12" & 18" 'U' Remote Electronics Mounting Drawing	
All dimensions are shown in inches with cm shown in brackets TOLERANCES ARE: DECIMALS ANGLES .X ± 0.1 ±0.5° .XX ± 0.02 .XXX ± 0.007		SIZE A3	DWG NO. D15-810-RACXXX-3	REV 2
SCALE NTS			SHEET 1 OF 4	

ITEM	DESCRIPTION	PART NUMBER	QTY
*1	Sensor ; 1/2" MNPT	P02-RACXXX	1
2	Flameproof Enclosure (1/2" x 1" FNPT)		
	C/W Terminal Assembly	N10-100A-C	1
a	<input type="checkbox"/> Glass Lens Cover - Flameproof	M10-1G00	1
b	<input checked="" type="checkbox"/> Blind Cover - Flameproof	M10-1B00	1
3	Remote Terminal Assembly For Sensor Enclosure	1790-0622-C	1
4	Nameplate, Foil	2400-0002	1
5	Nameplate, Overlay	2401-0001	1

- *1. Sensor Assembly Selection Guide:**
- P02-RACXXX Where XXXX = Desired 'U' Length in Inches.
- | | |
|-------------------------|--------------------|
| eg. 1.2"U = P02-RAC0012 | 6"U = P02-RAC0060 |
| 2"U = P02-RAC0020 | 9"U = P02-RAC0090 |
| 3"U = P02-RAC0030 | 12"U = P02-RAC0120 |
| 4"U = P02-RAC0040 | 18"U = P02-RAC0180 |

Information contained in this document is confidential and proprietary information of Telematic Controls Inc. This document may not be reproduced or distributed for any reason without express written permission of Telematic Controls Inc. All rights of design, invention and copyright are reserved.

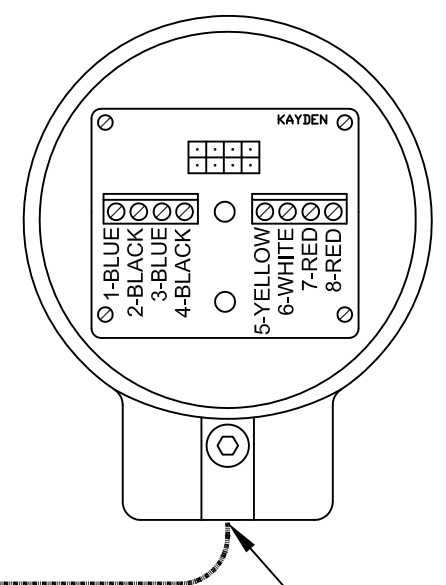
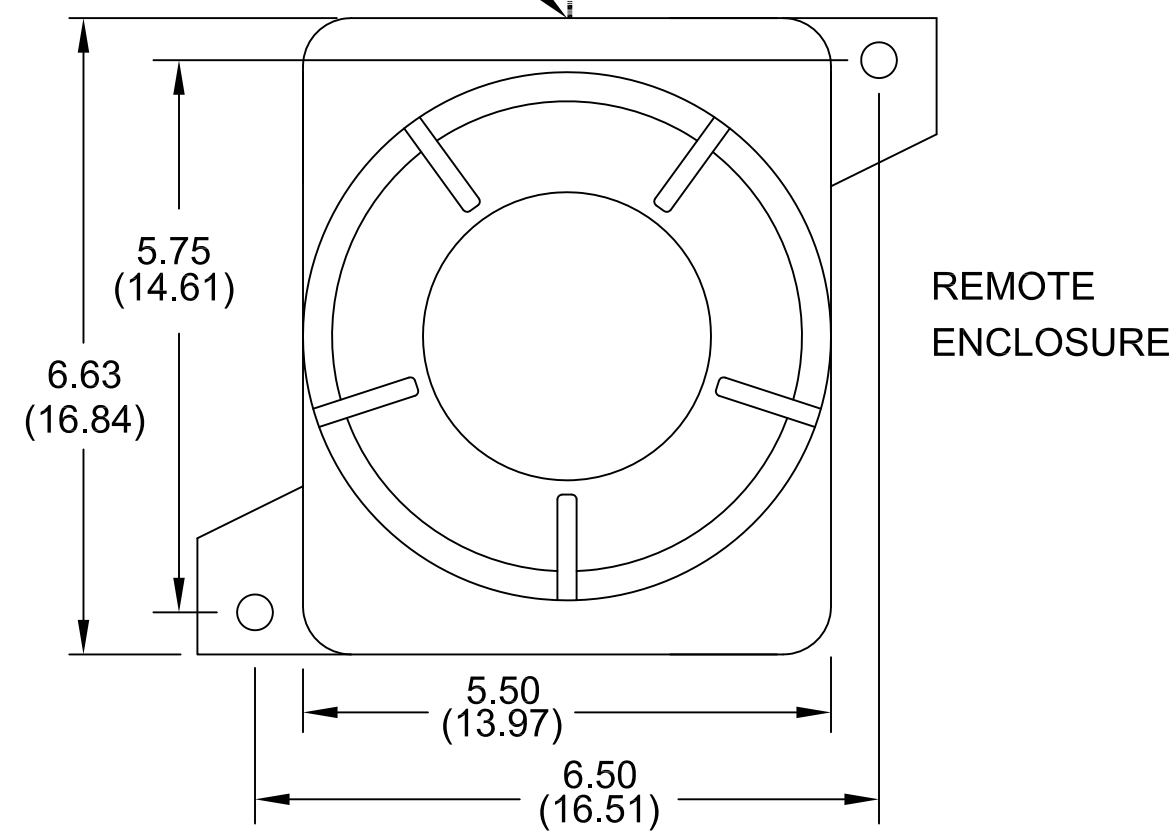
Rev	Description	App.	Date
0	Initial release	HO	13Jun02
1	Edited text		08Apr11
2	Changed footer note. Added confidential note. Modified Title box & Rev. Table. Fixed Item2. Added rows.	TDH	03Jun13

APPROVALS	DATE		
DRN MW	15MAY13		
CHKD EC	17MAY13		
APP TDH	03JUN13		
All dimensions are shown in inches with cm shown in brackets TOLERANCES ARE: DECIMALS ANGLES .X ± 0.1 ±0.5° .XX ± 0.02 .XXX ± 0.007		TITLE Part List - CLASSIC 810 Series 1/2" MNPT; 1.2", 2", 3", 4", 6", 9", 12" & 18" 'U' Remote Electronics	
SIZE A3	DWG NO. D15-810-RACXXX-4	REV 2	
SCALE NTS		SHEET 2 OF 4	

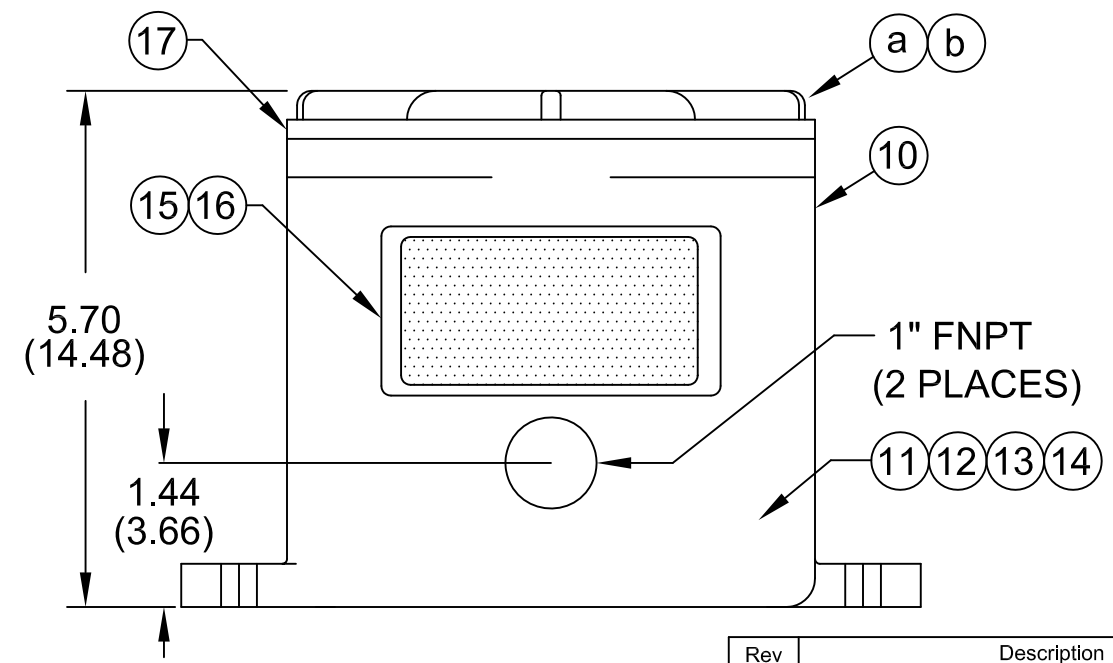
1" FNPT ELECTRONIC CONNECTION

FIELD WIRING

SENSOR ENCLOSURE



1" FNPT ELECTRICAL CONNECTION



Information contained in this document is confidential and proprietary information of Telematic Controls Inc. This document may not be reproduced or distributed for any reason without express written permission of Telematic Controls Inc. All rights of design, invention and copyright are reserved.

APPROVALS	DATE
DRN MW	13MAY13
CHKD EC	21MAY13
APP TDH	03JUN13

KAYDEN[®]
INSTRUMENTS

All dimensions are shown in inches with cm shown in brackets

TOLERANCES ARE:

DECIMALS	ANGLES
.X ± 0.1	±0.5°
.XX ± 0.02	
.XXX ± 0.007	

TITLE: CLASSIC Series Remote Electronics Flameproof Enclosure (CSA)

SIZE: A3 | DWG NO.: 7730-0000-1-CSA | REV: 0


SCALE: NTS | SHEET 3 OF 4 (or 4 OF 5)

Rev	Description	App.	Date
0	Initial release	TDH	03Jun13

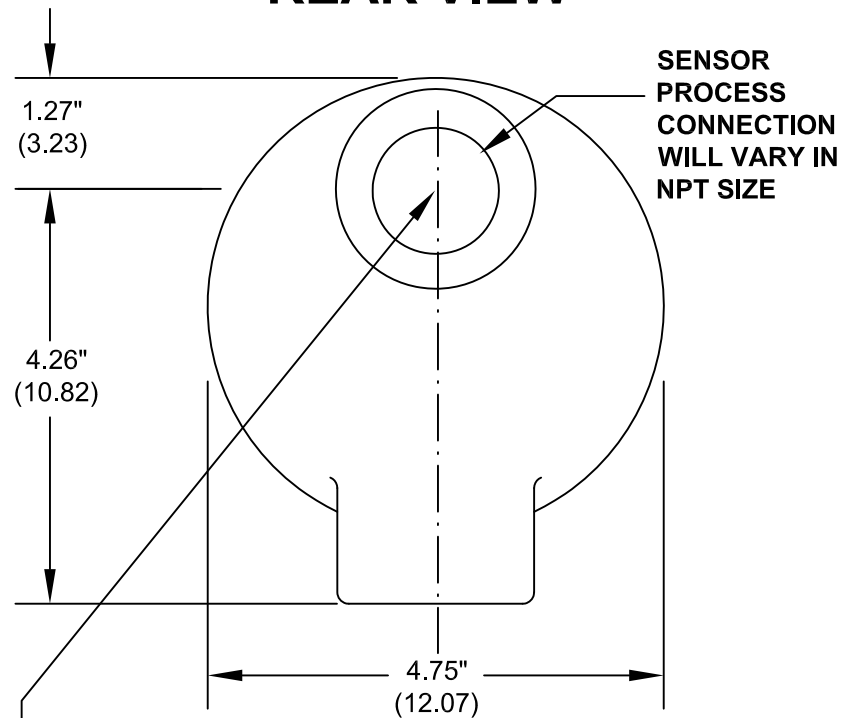
NOTES:
1. Wire according to connection diagram.

ITEM	DESCRIPTION	PART NUMBER	QTY
10	Flameproof Remote Enclosure	1409-1201	1
a	<input type="checkbox"/> Glass Lens Cover - Flameproof	1409-1208	1
b	<input type="checkbox"/> Blind Cover - Flameproof	1409-1207	1
11	Terminal Assembly	2511-0012	1
12	Ground Screw	2540-0023	1
13	CLASSIC Electronics Module	L10-800-C-E	1
	(12-24 VDC, 115-230 VAC)		
14	Mounting Screws (316 SS)	2540-0007	2
15	Nameplate, Foil	2400-0007	1
16	Nameplate, Overlay	2401-0001	1
17	Cover Gasket	1499-1301	1

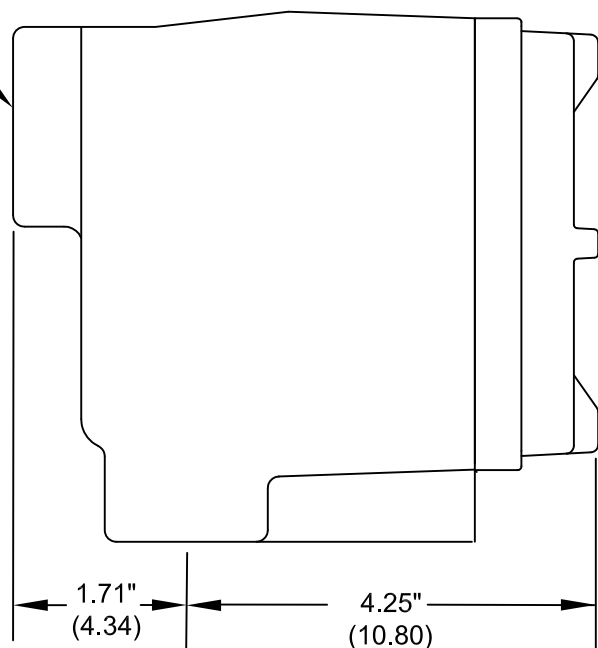
Information contained in this document is confidential and proprietary information of Telematic Controls Inc. This document may not be reproduced or distributed for any reason without express written permission of Telematic Controls Inc. All rights of design, invention and copyright are reserved.

<table border="1"> <thead> <tr> <th>Rev</th> <th>Description</th> <th>App.</th> <th>Date</th> </tr> </thead> <tbody> <tr> <td>0</td> <td>Initial release</td> <td>TDH</td> <td>03Jun13</td> </tr> <tr><td></td><td></td><td></td><td></td></tr> <tr><td></td><td></td><td></td><td></td></tr> <tr><td></td><td></td><td></td><td></td></tr> <tr><td></td><td></td><td></td><td></td></tr> <tr><td></td><td></td><td></td><td></td></tr> <tr><td></td><td></td><td></td><td></td></tr> <tr><td></td><td></td><td></td><td></td></tr> <tr><td></td><td></td><td></td><td></td></tr> <tr><td></td><td></td><td></td><td></td></tr> <tr><td></td><td></td><td></td><td></td></tr> <tr><td></td><td></td><td></td><td></td></tr> <tr><td></td><td></td><td></td><td></td></tr> <tr><td></td><td></td><td></td><td></td></tr> <tr><td></td><td></td><td></td><td></td></tr> <tr><td></td><td></td><td></td><td></td></tr> <tr><td></td><td></td><td></td><td></td></tr> <tr><td></td><td></td><td></td><td></td></tr> <tr><td></td><td></td><td></td><td></td></tr> <tr><td></td><td></td><td></td><td></td></tr> <tr><td></td><td></td><td></td><td></td></tr> <tr><td></td><td></td><td></td><td></td></tr> <tr><td></td><td></td><td></td><td></td></tr> <tr><td></td><td></td><td></td><td></td></tr> </tbody> </table>				Rev	Description	App.	Date	0	Initial release	TDH	03Jun13																																																																																													<table border="1"> <thead> <tr> <th>APPROVALS</th> <th>DATE</th> </tr> </thead> <tbody> <tr> <td>DRN MW</td> <td>13MAY13</td> </tr> <tr> <td>CHKD EC</td> <td>21MAY13</td> </tr> <tr> <td>APP TDH</td> <td>03JUN13</td> </tr> </tbody> </table>		APPROVALS	DATE	DRN MW	13MAY13	CHKD EC	21MAY13	APP TDH	03JUN13		
				Rev	Description	App.	Date																																																																																																												
				0	Initial release	TDH	03Jun13																																																																																																												
APPROVALS	DATE																																																																																																																		
DRN MW	13MAY13																																																																																																																		
CHKD EC	21MAY13																																																																																																																		
APP TDH	03JUN13																																																																																																																		
All dimensions are shown in inches with cm shown in brackets TOLERANCES ARE: DECIMALS ANGLES .X ± 0.1 ±0.5° .XX ± 0.02 .XXX ± 0.007		TITLE Parts List - CLASSIC Series Remote Electronics Flameproof Enclosure (CSA)																																																																																																																	
SIZE A3 SCALE NTS		DWG NO. 7730-0000-2-CSA REV 0 SHEET 4 OF 4 (or 5 OF 5)																																																																																																																	

SENSOR AND REMOTE ENCLOSURE REAR VIEW



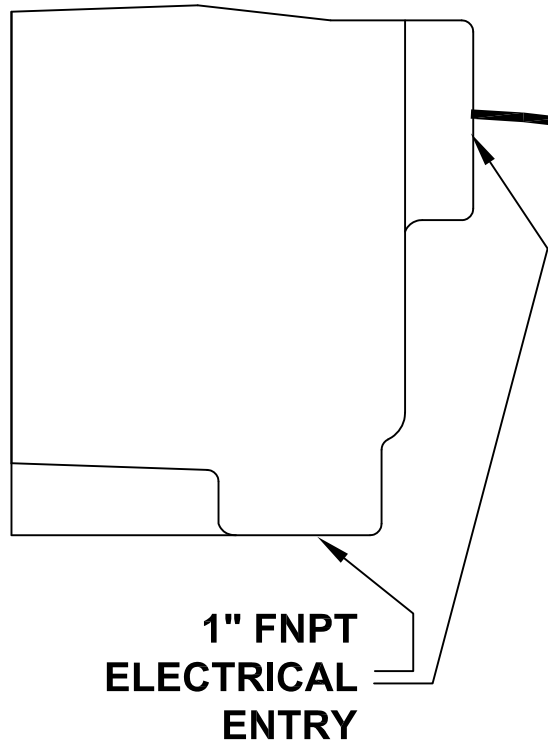
MOUNT SENSOR AND REMOTE ENCLOSURE USING FNPT ENTRY



NOTES:

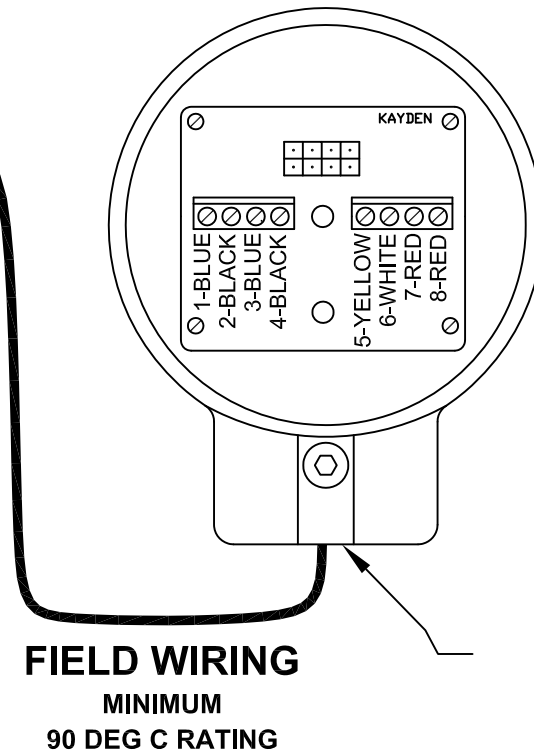
1. Wire sensor to remote according to connection diagram.

REMOTE ENCLOSURE SIDE VIEW



1" FNPT ELECTRICAL ENTRY

SENSOR ENCLOSURE FRONT VIEW



1" FNPT ELECTRICAL ENTRY

SENSOR AND REMOTE ENCLOSURE SIDE VIEW

Rev	Description	App.	Date
0	Initial release	TDH	03Jun13

Information contained in this document is confidential and proprietary information of Telematic Controls Inc. This document may not be reproduced or distributed for any reason without express written permission of Telematic Controls Inc. All rights of design, invention and copyright are reserved.

APPROVALS		DATE	
DRN	MW	13MAY13	
CHKD	EC	21MAY13	
APP	TDH	03JUN13	
All dimensions are shown in inches with cm shown in brackets TOLERANCES ARE: DECIMALS ANGLES .X ± 0.1 ±0.5° .XX ± 0.02 .XXX ± 0.007			TITLE CLASSIC Series Sensor and Remote Flameproof Enclosure (FM)
SIZE A3	DWG NO. 7730-0000-1-FM	REV 0	
SCALE NTS		SHEET 1 OF 1	