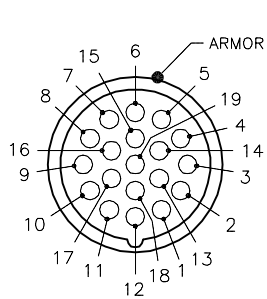
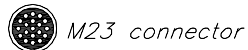


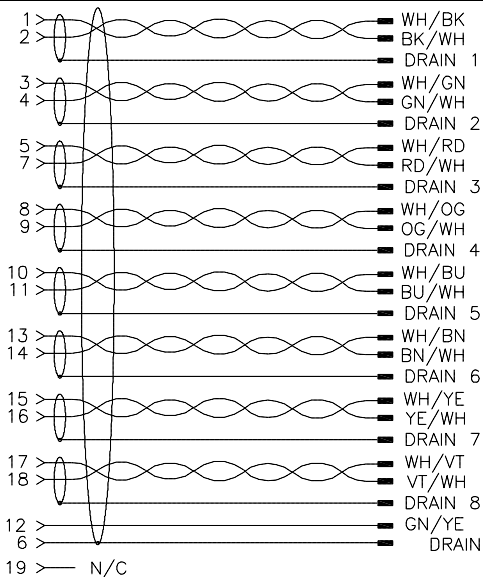
FEMALE END VIEW



- 1 = WHT/BLK
- 2 = BLK/WHT
- 3 = WHT/GRN
- 4 = GRN/WHT
- 5 = WHT/RED
- 6 = DRAIN
- 7 = RED/WHT
- 8 = WHT/ORG
- 9 = ORG/WHT
- 10 = WHT/BLU
- 11 = BLU/WHT
- 12 = GRN/YEL
- 13 = WHT/BRN
- 14 = BRN/WHT
- 15 = WHT/YEL
- 16 = YEL/WHT
- 17 = WHT/VLT
- 18 = VLT/WHT
- 19 = N/C



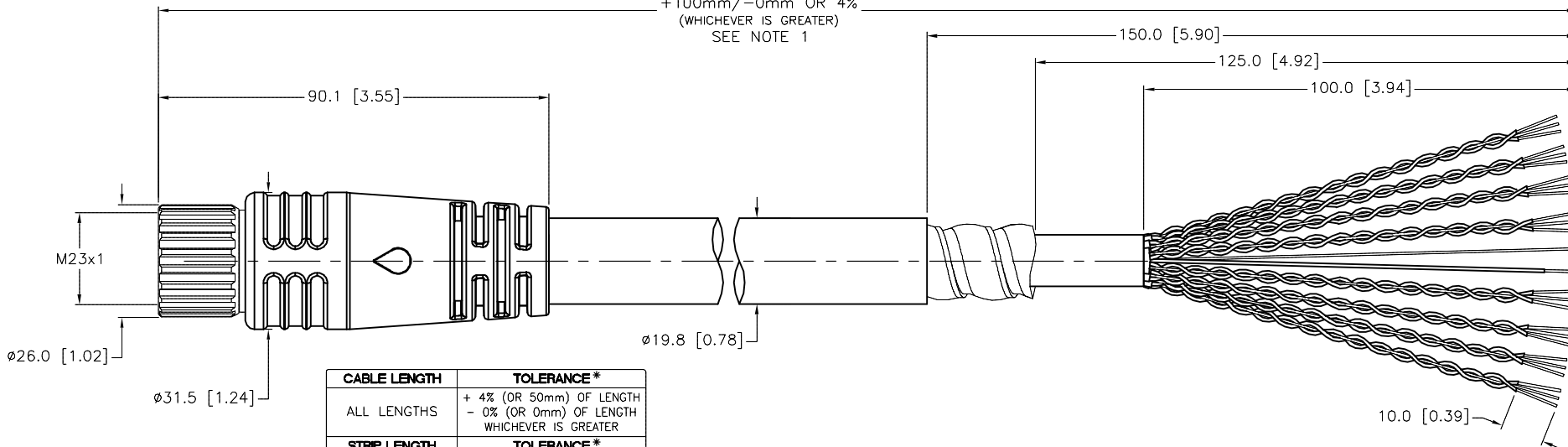
WIRING DIAGRAM



SPECIFICATIONS

CONTACT CARRIER MATERIAL	NYLON or PBT
MOLDED HEAD MATERIAL/COLOR	TPU/BLACK
CONTACT MATERIAL/PLATING	BRASS/GOLD
COUPLING NUT MATERIAL/FINISH	STAINLESS STEEL/PASSIVATED
RATED CURRENT [A]	9.0 A (PIN 12), 2.0 A (ALL OTHERS)
RATED VOLTAGE [V]	150 V
OUTER JACKET MATERIAL/COLOR	PVC/BLACK
INNER JACKET MATERIAL/COLOR	PVC/NATURAL
CONDUCTOR INSULATION MATERIAL	PVC
NUMBER OF CONDUCTORS [AWG]	16x22 AWG, 1x18 AWG GROUND
DRAIN/SHIELD	9x22 AWG DRAINS/ALUMINUM-POLYESTER FOIL
ARMOR	ALUMINUM ARMOR
CONDUCTOR ARRANGEMENT	8 SHIELDED TWISTED PAIR W/DRAIN, 1 GND, 1 DRAIN
TEMPERATURE RANGE	-40°C to +105°C (-40°F to +221°F)
PROTECTION CLASS	IEC IP67
CABLE RATINGS	UL: ITC/PLTC, 105C CSA: ACIC/CMG, 90C, 300V

* METERS
+100mm/-0mm OR 4%
(WHICHEVER IS GREATER)
SEE NOTE 1



CABLE LENGTH	TOLERANCE*
ALL LENGTHS	+ 4% (OR 50mm) OF LENGTH - 0% (OR 0mm) OF LENGTH WHICHEVER IS GREATER
STRIP LENGTH	TOLERANCE*
0-7mm	±0.5mm
8-29mm	±1.0mm
30-49mm	±2.0mm
50-69mm	±3.0mm
70-100mm	±4.0mm
OVER 100mm	±5.0mm
* UNLESS OTHERWISE SPECIFIED	

SOURCE DRAWING - FOR REFERENCE ONLY

NOTES:

- "*" INDICATES CABLE LENGTH IN METERS. CONTACT TURCK TO ORDER SPECIFIC LENGTHS.
- CABLE ARMOR IS CONNECTED TO THE COUPLING NUT(S).

RELATED DOCUMENTS 1. 2. 3. 4.	3RD ANGLE PROJECTION 	THIS DRAWING IS CONFIDENTIAL AND THE PROPERTY OF TURCK INC. USE OF THIS DOCUMENT WITHOUT WRITTEN PERMISSION IS PROHIBITED.		3000 CAMPUS DRIVE MINNEAPOLIS, MN 55441 1-800-544-7769 (763) 553-7300 (763) 553-0708 fax turck.com					
		DRFT	RDS	DATE	10/04/07	DESCRIPTION	P-CKMV 19A-419-*		
MATERIAL	SEE SPECIFICATIONS	APVD		SCALE	1=1.5	IDENTIFICATION NO.		REV	G
FINISH	SEE SPECIFICATIONS	UNIT OF MEASUREMENT MILLIMETER [INCH]		DO NOT SCALE THIS DRAWING		FILE: 777020131	SHEET 1 OF 1		

G	DRAWING PROCESSED AS PART OF ECO 38994	KMY	09/24/12	38994
REV	DESCRIPTION	BY	DATE	ECO NO.