

Engineered for Precision Control at Low Pressure in a Small Package

Fairchild's new Model 11 Low Pressure High Precision Regulator is specifically engineered for applications requiring accurate control at low pressures where space is limited and unit envelop size can not be compromised. With sensitivity of 0.05" WC the model 11 can be used for instrumentation testing or small tank

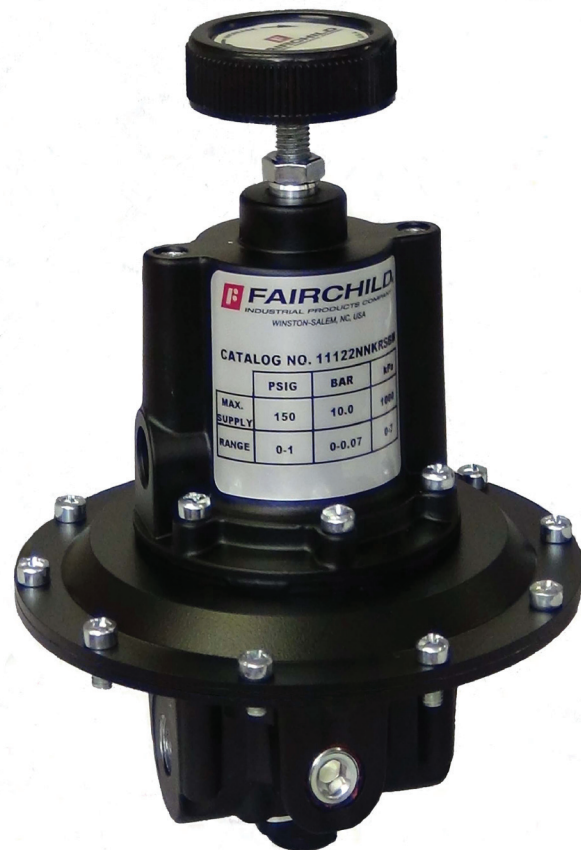
blanketing applications. Put the new Fairchild Model 11 to work for you today!

Contact your local Fairchild distributor or call Fairchild's Application support team at (800) 334-8422 today to discuss the M11 and our complete lineup of precise, reliable process and instrumentation control products.

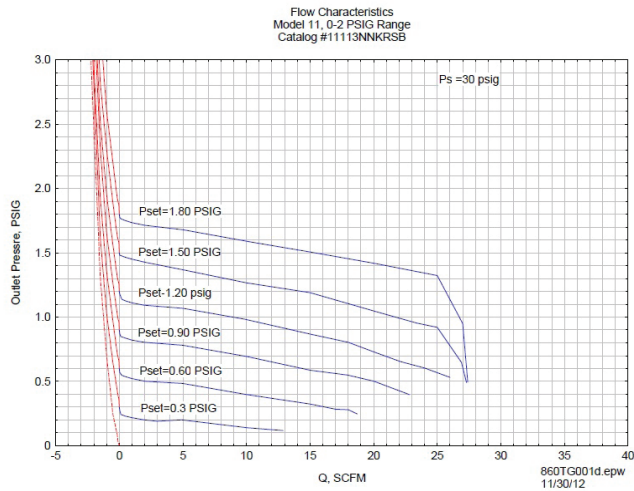
NEW Model 11 Low Pressure High Precision Regulator

- Higher Accuracy
- Superior Sensitivity
- Light Weight
- Compact Size
- Many Available Options

The Fairchild M11 Low Pressure High Precision Regulator provides precision control in a lightweight and compact package as a solution to your pneumatic needs for limited space and low pressure applications. The model 11 is based on the proven design of the Fairchild model 10 regulator. With this strong foundation you can be rest assured that the model 11 will meet and exceed the high quality and performance expectations that all Fairchild products are know for. When you need low pressure and accurate control look no further than Fairchild!



Specifications



Flow Capacity

24 SCFM (40.7 m³/HR) @ 100 psig, [7 BAR], (700 kPa) supply and 1.0 psig setpoint

Exhaust Capacity

0.5 SCFM (0.85 m³/HR) where downstream pressure is 0.1 psig, [0.007 BAR], (0.7 kPa) above 1.0 psig setpoint

Maximum Supply Pressure

150 psig, [10 BAR], (1000 kPa)

Supply Pressure Effect

<0.01 psig for 100 psig change in supply

Sensitivity

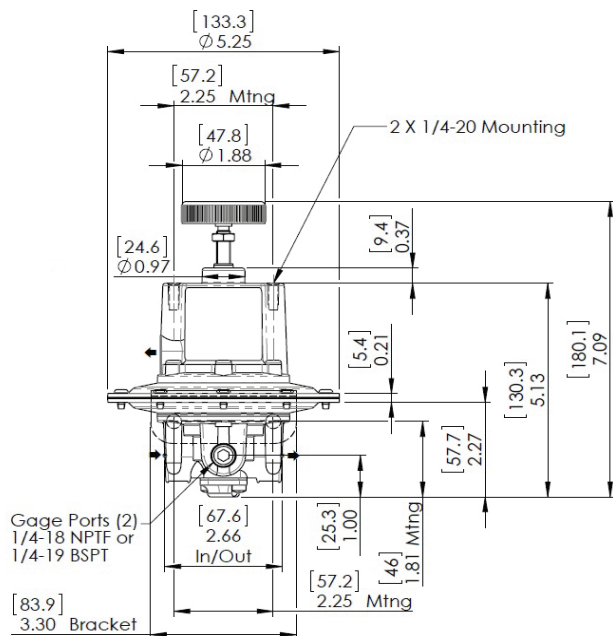
0.05" Water Column

Ambient Temperature

-40°F to +200°F, (-40°C to 93.3°C)

Materials of Construction

Body and Housing.....Aluminum
Diaphragm.....Nitrile or Fluorocarbon
Trim.....Zinc Plated Steel, Stainless Steel



Catalog Number

11 | I | [] | [] | [] | [] | [] | [] | [] | []

Pressure Ranges:

- 0-0.5 psi..... 1
- 0-2 psi..... 2
- 0-4 psi..... 3
- 0-6 psi..... 4
- 0-12 psi..... 5

Inlet/Outlet Port Size:

- 1/4" 2
- 3/8" 3
- 1/2" 4

Port Thread:

- NPTF N
- BSPT U
- BSPP H

Elastomer

- Nitrile N
- Fluorocarbon J

Actuator

- Knob K
- Screw Adjust S
- Tamper Proof T

Relief

- Low Bleed B
- Non Relieving N
- Relieving, Normal Bleed R

Vent

- Straight S
- Tapped (1/4" NPT, BSPT) E

Mounting

- Bonnet (2 X 1/4-20 UNC) B
- Panel (1/2-20 UNF) P