

# P1202

## Universal Explosion-proof LED Lighting

**NOM** This product is in compliance with NOM regulations.



40W



Net Weight: 3.7 kg (8.1 lb)

### Protection

- II 2 G Ex d IIB T5 Gb
- II 2 D Ex tb IIIC T100°C Db

### Standards

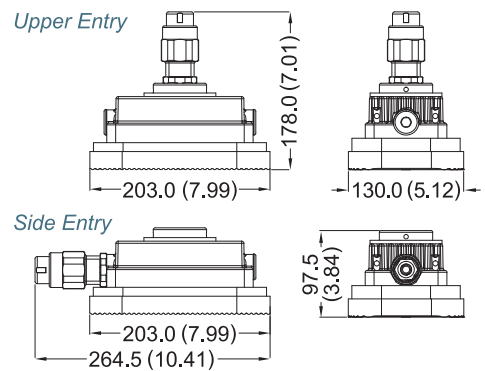
- IEC 60079-0
- IEC 60079-1
- IEC 60079-31
- EN 60079-0
- EN 60079-1
- EN 60079-31

### Light Features

- Compact size, Light weight and Portable
- Applicable to high temperature environment
- Salt Spray 1000 hrs passed

## Technical Data

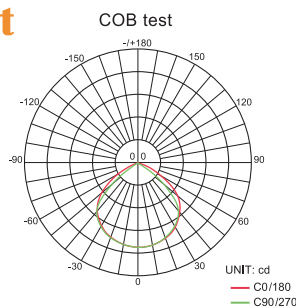
Rated Voltage (±10%)	24V / 110V / 220V AC	
Watts (±10%)	40W (Watts of 24V are different, please contact us for details.)	
Amps	40W 24V: 1.67A, 110V: 0.36A, 220V: 0.18A	
Color of LED Light	3000K (Warm White) / 5000K (Cool White)	
Ambient Temperature	-20°C ~ +40°C, T5	
Power Factor	cos ≥ 0.9	
CRI	Cool White ≥ 70 / Warm White ≥ 80	
Lumen (±10%)	COB	40W
	3000K	3800lm
	5000K	4000lm
Beam Angle	X-105° / Y-105°	
Frequency	50 / 60 Hz	
Degree of Protection	IP68 / NEMA 6P	
Material	<ul style="list-style-type: none"> <li>• Enclosure: Aluminum alloy</li> <li>• Glass: Tempered glass</li> </ul>	
LED Service Life	60,000 hrs	
Entrance Thread	3 x M20	



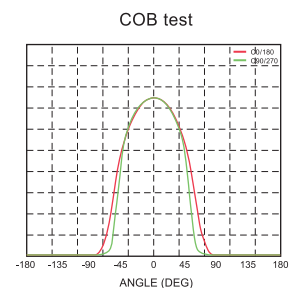
Dimension in Millimeters (inches)

## Optical Report

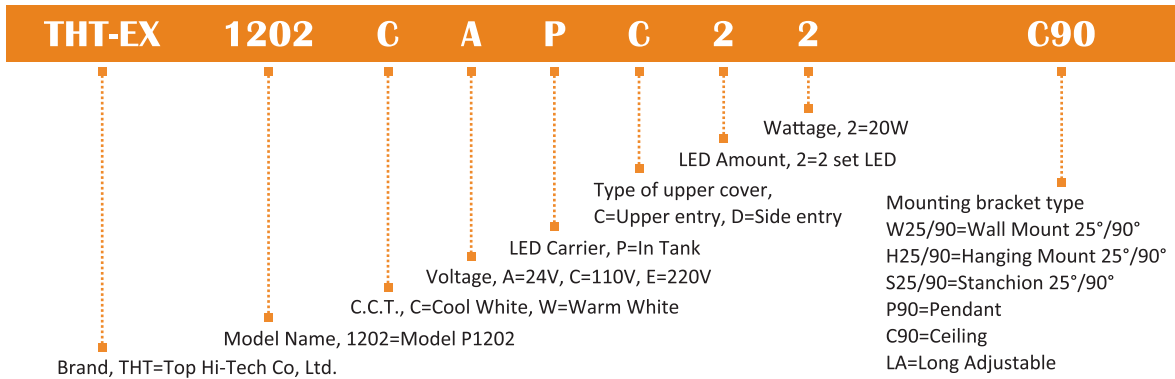
### Polar Luminous Intensity Distribution



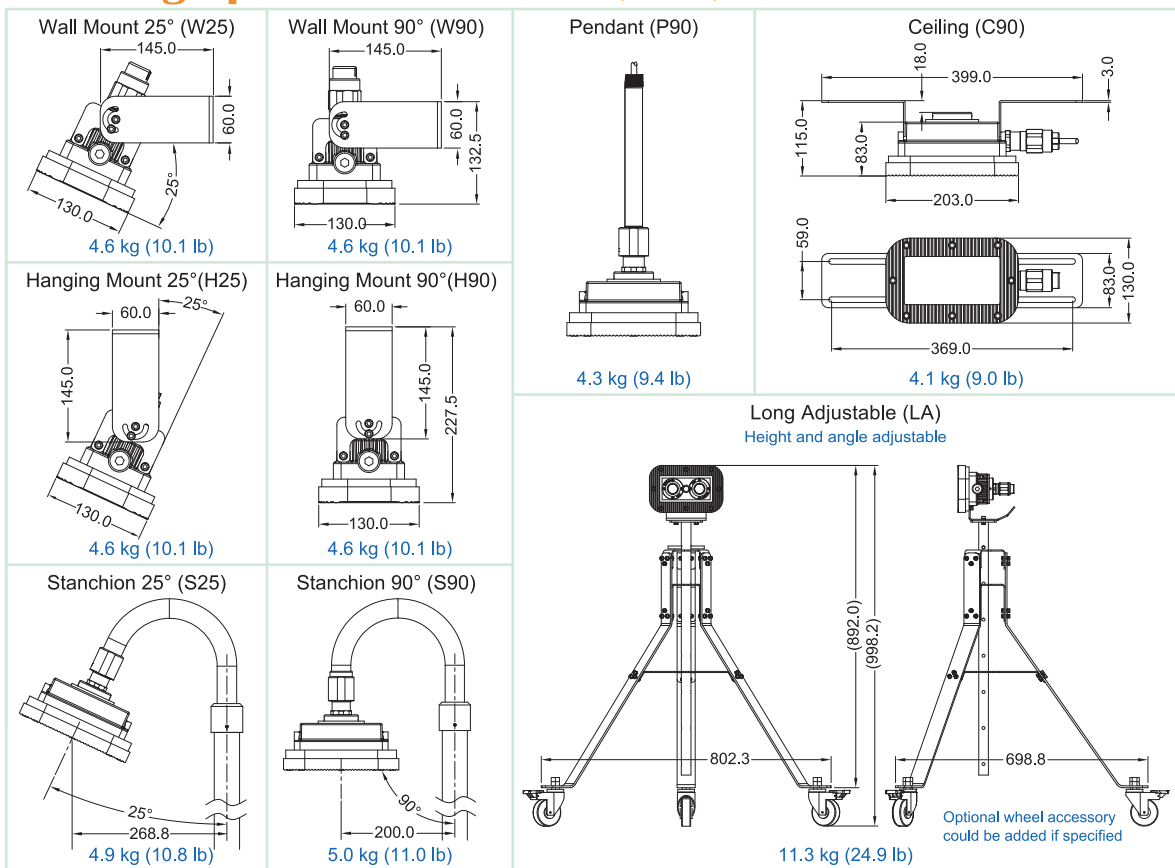
### Luminous Intensity Distribution Diagram



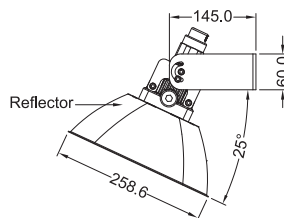
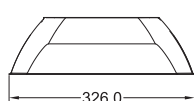
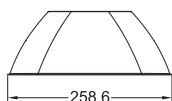
## Model Code



## Mounting Option & Dimensions (All in mm)



## Optional Accessory



### Applicable Area

- Oil Refinery Complex
- Petrochemical Complex
- Painting Facility
- Transporting Nature Gas
- Transporting Liquefied Petroleum Gas
- Offshore Platform (Oil and Natural Gas)