

2/2 WAY DIRECT ACTING "DRY ARMATURE" SOLENOID VALVE

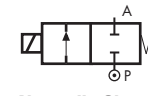
COMMON FEATURES

- Media: water, food and beverages
- Media temperature: -10°C ÷ +130°C
- Ambient temperature: -10°C ÷ +50°C
- Operator material: stainless steel
- Seal material: silicone FDA compliant
- Length of the vent pipe: standard 85 mm
- Protection class: IP 65 (with connector and gasket)
- Flow regulation screw as standard

NOTES

TOTAL SEPARATION BETWEEN INTERNAL PARTS AND MEDIUM

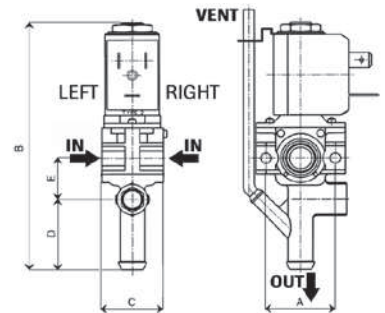
TYPE: 246



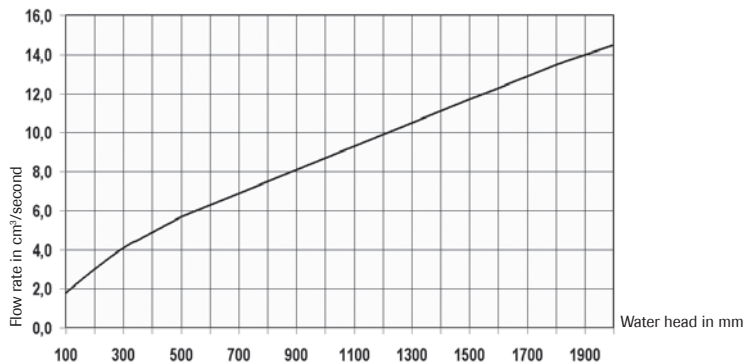
Normally Closed



DIMENSIONS & WEIGHTS		246DSR	246DSQ
A	[mm]	28	28
B	[mm]	101	101
C	[mm]	25	25
D	[mm]	29	29
E	[mm]	17	17
weight	[kg]	0.2	0.125



FLOW RATE CHART



VALVE	left hole	right hole	OPD			COILS	
			min.	max. AC	max. DC	code	[Volts/Hz]
code	-	-	[barg]	[barg]	[barg]	code	[Volts/Hz]
246DSRDE	fast conn.	cap	0	0.2	0.1	22V0	24v DC
246DSRED	cap	fast conn.	0	0.2	0.1	2200	24v 50/60Hz
246DSREP	cap	hose tail	0	0.2	0.1	2400	110v 50Hz - 120v 60Hz
246DSRE0	cap	1/4" G	0	0.2	0.1	2600	200v 50Hz - 220v 60Hz
246DSR0E	1/4" G	cap	0	0.2	0.1	2700	230v 50Hz - 240v 60Hz
246DSR00	1/4" G	1/4" G	0	0.2	0.1		
246DSRPE	hose tail	cap	0	0.2	0.1		

246DSR - brass body -

- Body material: brass (CW617N EN 12165)
- Nominal diameter: 8 mm
- Coil power: AC 10v_A (holding)
AC 16v_A (inrush)
DC 10w

VALVE	left hole	right hole	OPD			COILS	
			min.	max. AC	max. DC	code	[Volts/Hz]
code	-	-	[barg]	[barg]	[barg]	code	[Volts/Hz]
246DSQAA	open w/o threads	open w/o threads	0	0.2	0.1	22V0	24v DC
246DSQG0	closed	1/4" G	0	0.2	0.1	2200	24v 50/60Hz
246DSQ0G	1/4" G	closed	0	0.2	0.1	2400	110v 50Hz - 120v 60Hz
246DSQ00	1/4" G	1/4" G	0	0.2	0.1	2600	200v 50Hz - 220v 60Hz
						2700	230v 50Hz - 240v 60Hz

246DSQ - hostaform body -

- Body material: natural hostaform (C13021)
- Nominal diameter: 7.5 mm
- Coil power: AC 10v_A (holding)
AC 16v_A (inrush)
DC 10w

Product subject to phase-out, please contact M&M Sales Department for availability

We reserve the right to make changes without notice