



Electric

Automated Ball Valve Package

Series FD9-F6
ANSI 600#
Flanged Ball Valve
Direct Mount

- Firesafe
- Sizes 1/2" – 2"
- Direct Actuator Mount
- 600# ANSI Flange
- Full Port Design
- Available in 316SS or WCB
- 316SS Ball and Stem
- Pyramidal Stem Packing System
- Blowout-proof Stem
- Anti-static Device
- ISO5211 Mounting
- Locking Handle Standard
- Each Valve Traceable**

**API 607 - 4th Edition
CERTIFIED**

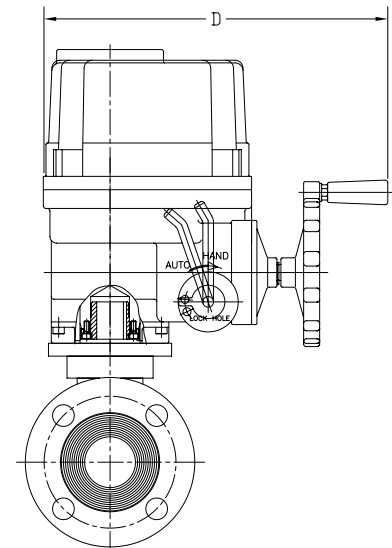
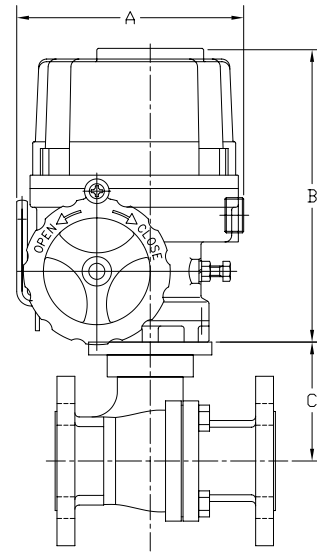


300# Flanged
Firesafe Tested to API-607
Direct Mount

DIMENSIONS (IN)

VALVE SIZE	A	B	C	D	VALVE Cv
1/2"	5.94	5.24	1.92	4.08	28
3/4"	5.94	5.24	2.50	4.08	50
1"	5.94	5.24	2.68	4.08	95
1-1/2"	6.69	9.25	3.51	10.16	260
2"	6.69	9.25	4.33	10.16	485

DIMENSIONS SHOWN ARE FOR ASSEMBLIES SIZED FOR 80 PSI SUPPLY



SERIES FD9-F6 600# Flanged Direct Mount

Firesafe

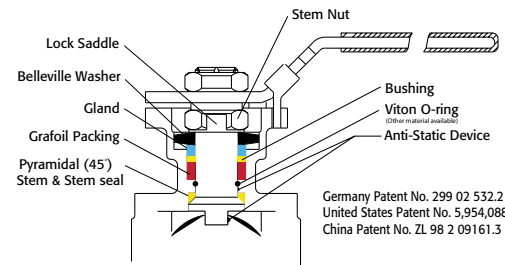
ON-OFF	
SIZE	MODEL
1/2"	FD9-6C-050/WEA1-XX
3/4"	FD9-6C-075/WEA1-XX
1"	FD9-6C-100/WEA1-XX
1-1/2"	FD9-6C-150/WEB1-XX
2"	FD9-6C-200/WEB1-XX

MODULATING	
SIZE	MODEL
1/2"	FD9-6C-050/WEA2-XX
3/4"	FD9-6C-075/WEA2-XX
1"	FD9-6C-100/WEA2-XX
1-1/2"	FD9-6C-150/WEB2-XX
2"	FD9-6C-200/WEB2-XX

OPTIONS

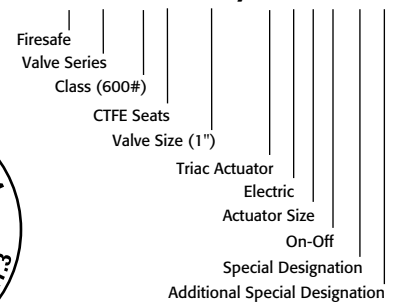
DESCRIPTION
24 VAC/24 VDC/220VAC
Feedback potentiometer

NOTE: Heater and thermostat standard
(2) auxiliary switches standard
Other options available - call for details
Actuators are sized based on clean/clear fluid.
See valve part number matrix for complete part number and options.



Germany Patent No. 299 02 532.2
United States Patent No. 5,954,088
China Patent No. ZL 98 2 09161.3

SAMPLE PART # FD9-6C-100/WEA2-XX



Triac Division
11363 Deerfield Rd.
Cincinnati, Ohio 45242
PHONE (513) 247-5465
FAX (513) 247-5462
e-mail: sales@a-tcontrols.com
www.a-tcontrols.com

Valve Options

Various Seat Materials

PTFE, RTFE, 50/50, 15% CFTE, Delrin PEEK, Hard Facing, UHMWPE, TFM-1600

Several hard face and metal-metal options

Gear Operators

Quarter-turn Gear Operators

Spring Return "Deadman" Handles

Oval handles, TEE Handles

Specials and Solutions

Steam Jackets

Stem Extensions

V-ported Control Valves

Multi-port Valve Solutions

Fugitive Emissions Bonnets (TSM's)

Oxygen Cleaning

Lockout Brackets

Vented Balls

"No Play" Mounting Kits

- **FM Approved Valves and Assemblies**



Triac Division
11363 Deerfield Rd.
Cincinnati, Ohio 45242

PHONE (513) 247-5465
FAX (513) 247-5462
e-mail: sales@a-tcontrols.com
www.a-tcontrols.com

050111-FD9F6

Other Products

Special Seats

Balls and Seal Designs



Floor Mounted Damper Drives



Fusible Link Assemblies



Lockout Mounting Kits



Special Multi-Port Valves



Steam Jacketed Valves



Limit Switches

Mounted on Manual Valves



180° Actuators



Stem Extensions



Dual Valve Assemblies

