

P1202

Universal Explosion-proof LED Lighting

NOM This product is in compliance with NOM regulations.

Zone 1
Zone 2
Zone 21
Zone 22
IP68
NEMA 6P



40W



Net Weight: 3.7 kg (8.1 lb)

Protection

- Ex d IIB T5 Gb
- Ex tb IIIC T100°C Db
- Ⓜ II 2 G Ex d IIB T5 Gb
- Ⓜ II 2 D Ex tb IIIC T100°C Db

Standards

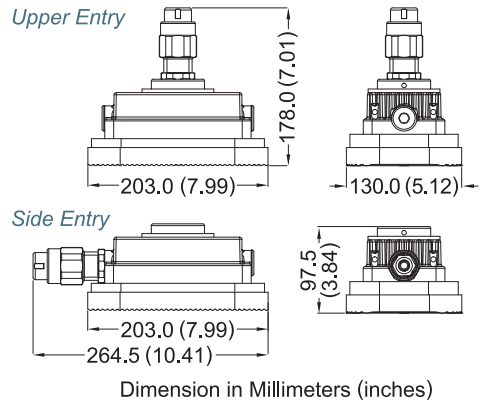
- IEC 60079-0
- IEC 60079-1
- IEC 60079-31
- EN 60079-0
- EN 60079-1
- EN 60079-31

Light Features

- Compact size, Light weight and Portable
- Applicable to high temperature environment
- Salt spray 1000 hrs passed

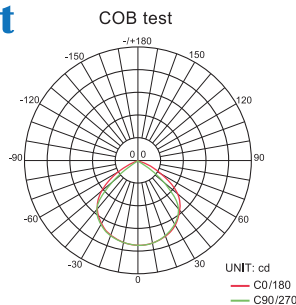
Technical Data

Rated Voltage (±10%)	24V / 110V / 220V AC	
Watts (±10%)	40W (Watts of 24V are different, please contact us for details.)	
Amps	40W 24V: 1.67A, 110V: 0.36A, 220V: 0.18A	
Color of LED Light	3000K (Warm White) / 5000K (Cool White)	
Ambient Temperature	-20°C ~ +40°C, T5	
Power Factor	cos ≥ 0.9	
CRI	Cool White ≥ 70 / Warm White ≥ 80	
Lumen (±10%)	COB	40W
	3000K	3800lm
	5000K	4000lm
Beam Angle	X-105° / Y-105°	
Frequency	50 / 60 Hz	
Degree of Protection	IP68 / NEMA 6P	
Material	<ul style="list-style-type: none"> • Enclosure: Aluminum alloy • Glass: Tempered glass 	
LED Service Life	60,000 hrs	
Entrance Thread	3 × M20	

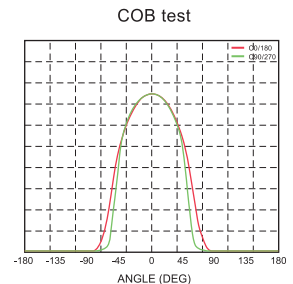


Optical Report

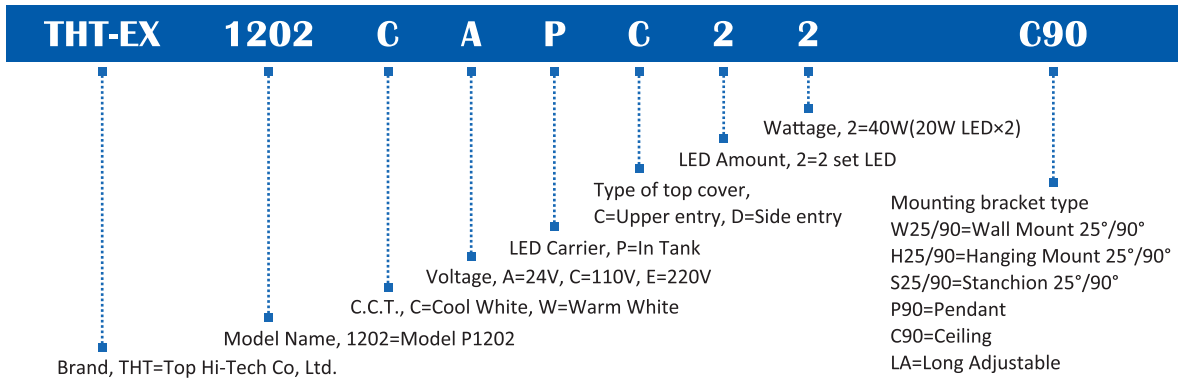
Polar Luminous Intensity Distribution



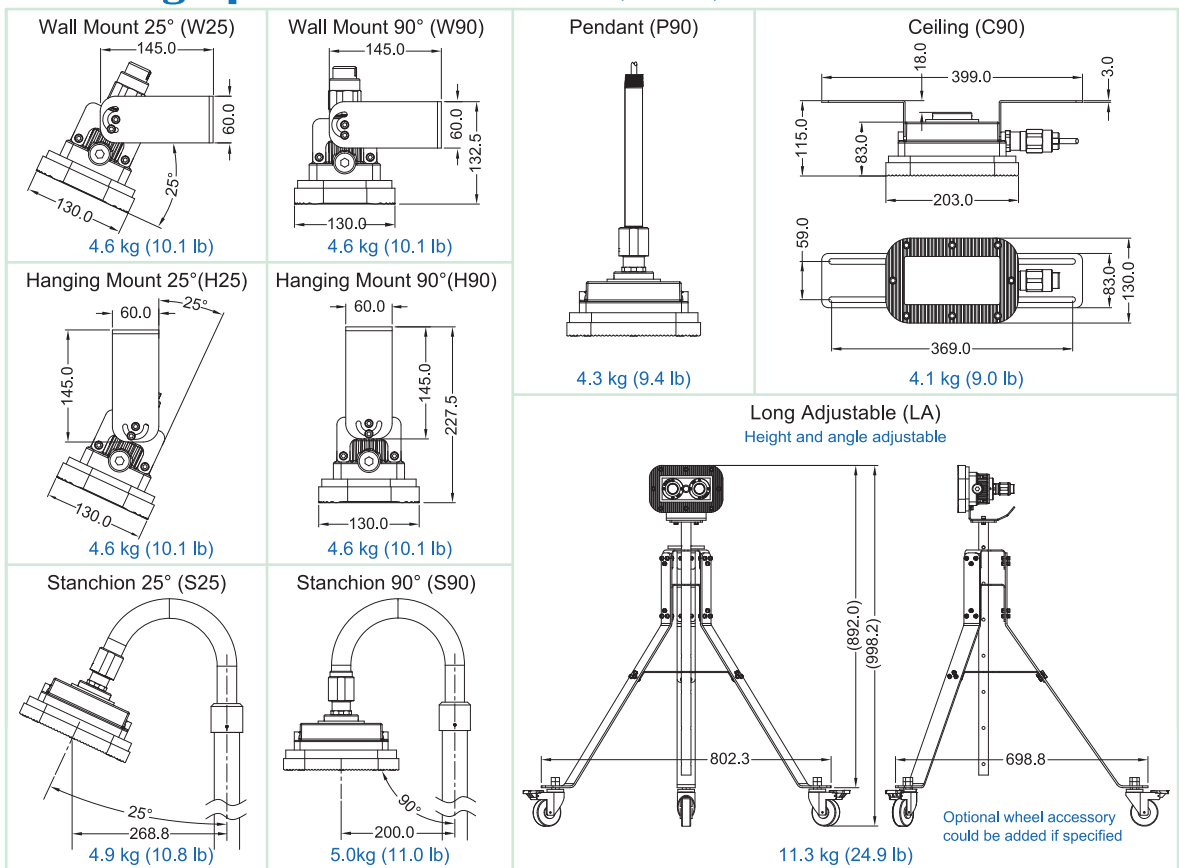
Luminous Intensity Distribution Diagram



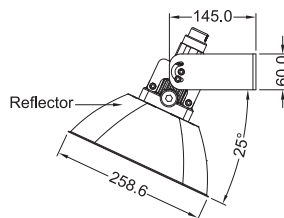
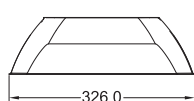
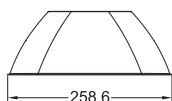
Model Code



Mounting Option & Dimensions (All in mm)



Optional Accessory



Applicable Area

- Oil Refinery Complex
- Petrochemical Complex
- Painting Facility
- Transporting Nature Gas
- Transporting Liquefied Petroleum Gas
- Offshore Platform (Oil and Natural Gas)