



# P1202

## Universal Explosion-proof LED Lighting

**NOM** This product is in compliance with NOM regulations.

**Zone 1**

**Zone 2**

**Zone 21**

**Zone 22**

**IP68**

**NEMA 6P**



**40W**



Net Weight: 3.7 kg (8.1 lb)

### Protection

- Ex d IIB T5 Gb
- Ex tD A21 T100°C

### Standards

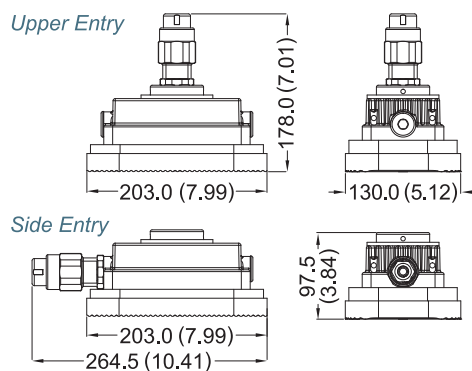
- GB 3836.1
- GB 3836.2
- GB 12476.1
- GB 12476.5
- IEC 61241-1

### Light Features

- Compact size, Light weight and Portable
- Applicable to high temperature environment
- Salt Spray 1000 hrs passed

## Technical Data

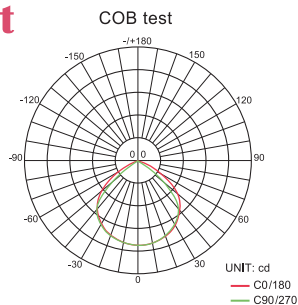
Rated Voltage (±10%)	24V / 110V / 220V AC	
Watts (±10%)	40W (Watts of 24V are different, please contact us for details.)	
Amps	40W 24V: 1.67A, 110V: 0.36A, 220V: 0.18A	
Color of LED Light	3000K (Warm White) / 5000K (Cool White)	
Ambient Temperature	-20°C ~ +40°C, T5	
Power Factor	cos ≥ 0.9	
CRI	Cool White ≥ 70 / Warm White ≥ 80	
Lumen (±10%)	COB	40W
	3000K	3800lm
	5000K	4000lm
Beam Angle	X-105° / Y-105°	
Frequency	50 / 60 Hz	
Degree of Protection	IP68 / NEMA 6P	
Material	<ul style="list-style-type: none"> <li>• Enclosure: Aluminum alloy</li> <li>• Glass: Tempered glass</li> </ul>	
LED Service Life	60,000 hrs	
Entrance Thread	3 x M20	



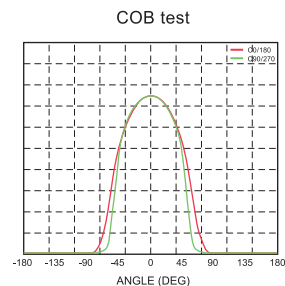
Dimension in Millimeters (inches)

## Optical Report

Polar Luminous Intensity Distribution



Luminous Intensity Distribution Diagram



## Model Code

<b>THT-EX</b>	<b>1202</b>	<b>C</b>	<b>A</b>	<b>P</b>	<b>C</b>	<b>2</b>	<b>2</b>	<b>C90</b>
---------------	-------------	----------	----------	----------	----------	----------	----------	------------

Brand, THT=Top Hi-Tech Co, Ltd.

Model Name, 1202=Model P1202

C.C.T., C=Cool White, W=Warm White

Voltage, A=24V, C=110V, E=220V

LED Carrier, P=In Tank

Type of upper cover, C=Upper entry, D=Side entry

LED Amount, 2=2 set LED

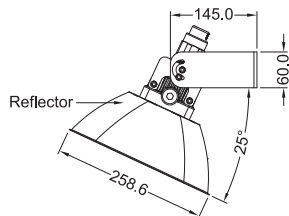
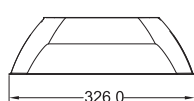
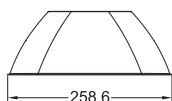
Wattage, 2=20W

Mounting bracket type  
 W25/90=Wall Mount 25°/90°  
 H25/90=Hanging Mount 25°/90°  
 S25/90=Stanchion 25°/90°  
 P90=Pendant  
 C90=Ceiling  
 LA=Long Adjustable

## Mounting Option & Dimensions (All in mm)

<p><b>Wall Mount 25° (W25)</b></p> <p>4.6 kg (10.1 lb)</p>	<p><b>Wall Mount 90° (W90)</b></p> <p>4.6 kg (10.1 lb)</p>	<p><b>Pendant (P90)</b></p> <p>4.3 kg (9.4 lb)</p>	<p><b>Ceiling (C90)</b></p> <p>4.1 kg (9.0 lb)</p>
<p><b>Hanging Mount 25° (H25)</b></p> <p>4.6 kg (10.1 lb)</p>	<p><b>Hanging Mount 90° (H90)</b></p> <p>4.6 kg (10.1 lb)</p>	<p><b>Long Adjustable (LA)</b> Height and angle adjustable</p> <p>11.3 kg (24.9 lb)</p> <p>Optional wheel accessory could be added if specified</p>	
<p><b>Stanchion 25° (S25)</b></p> <p>4.9 kg (10.8 lb)</p>	<p><b>Stanchion 90° (S90)</b></p> <p>5.0 kg (11.0 lb)</p>		

## Optional Accessory



### Applicable Area

- Oil Refinery Complex
- Petrochemical Complex
- Painting Facility
- Transporting Nature Gas
- Transporting Liquefied Petroleum Gas
- Offshore Platform (Oil and Natural Gas)