



Pneumatic Double Acting Automated Ball Valve Package

Series FD9
ANSI 300#
Flanged Ball Valve
Direct Mount



Full Port Valve
ANSI Class 300#
Available 1/2" – 6"
316SS or WCB Body
316SS Ball & Stem
Belleville Washers
Chevron Packing
RTFE Seats Standard
Pyramidal Stem Design

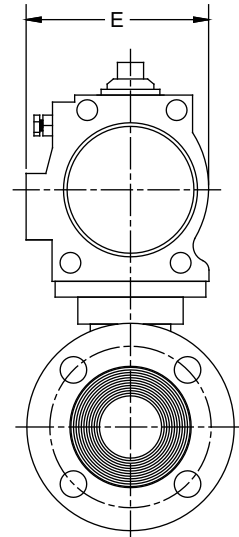
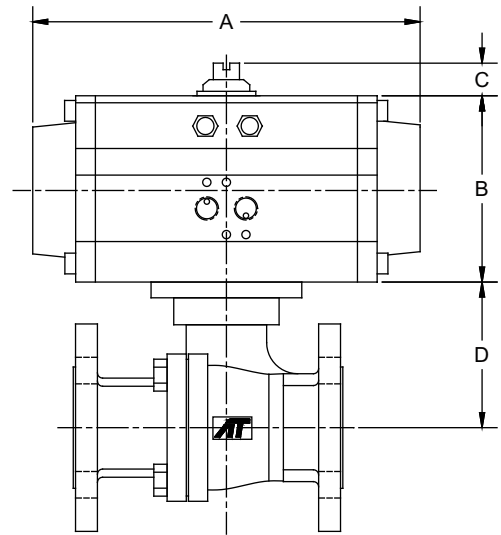
STANDARDS

Design	ANSI B16.34
Face to Face	ANSI B16.10
Flange Dimensions	ANSI B16.5
Pipeline Valve	API 6D
Pressure Testing	API 598
Fire Testing	API 607 4th Edition, BS 5351
Mounting Pad	ISO 5211
Marking System for Valves	MSS SP-25
Material Certification	EN 10204
Quality Assurance	ISO 9001

**API 607 - 4th Edition
CERTIFIED**



300# Flanged
Firesafe Tested to API-607
Direct Mount



DIMENSIONS (IN)

VALVE SIZE	A	B	C	D	E	VALVE Cv
1/2"	7.95	3.43	0.79	1.92	3.29	15
3/4"	7.95	3.43	0.79	2.50	3.29	45
1"	7.95	3.43	0.79	2.50	3.29	85
1-1/2"	9.29	4.49	0.79	3.51	4.41	275
2"	9.29	4.49	0.79	3.80	4.41	460
2-1/2"	10.87	4.88	0.79	4.57	4.82	700
3"	13.90	6.18	0.79	5.22	6.04	1100
4"	13.90	6.18	0.79	6.18	6.04	2200
6"	20.95	8.30	1.18	8.28	7.64	5150

DIMENSIONS SHOWN ARE FOR ASSEMBLIES SIZED FOR 80 PSI SUPPLY

SERIES FD9 300# Flanged Direct Mount

Firesafe

SIZED FOR 80 psi AIR SUPPLY

SIZE	MODEL
1/2"	FD9-3X-050/2R2D-XX
3/4"	FD9-3X-075/2R2D-XX
1"	FD9-3X-100/2R2D-XX
1-1/2"	FD9-3X-150/2R3D-XX
2"	FD9-3X-200/2R3D-XX
2-1/2"	FD9-3X-250/2R4D-XX
3"	FD9-3X-300/2R6D-XX
4"	FD9-3X-400/2R6D-XX
6"	FD9-3X-600/2R8D-XX

SIZED FOR 60 psi AIR SUPPLY

SIZE	MODEL
1/2"	FD9-3X-050/2R2D-XX
3/4"	FD9-3X-075/2R2D-XX
1"	FD9-3X-100/2R3D-XX
1-1/2"	FD9-3X-150/2R3D-XX
2"	FD9-3X-200/2R3D-XX
2-1/2"	FD9-3X-250/2R4D-XX
3"	FD9-3X-300/2R6D-XX
4"	FD9-3X-400/2R7D-XX
6"	FD9-3X-600/2R9D-XX

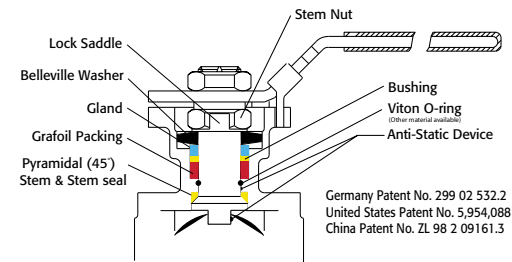
OPTIONS

DESCRIPTION	PART NO. SUFFIX	DESCRIPTION	PART NO. SUFFIX
NEMA 4 Solenoid	(A)	NEMA 4 Limit Switch (2) spdt	(A)
NEMA 7 Solenoid	(B)	NEMA 7 Limit Switch (2) spdt	(B)

Other options available - call for details
Actuators are sized based on clean/clear fluid.

See valve part number matrix for complete part number and options.

050111-FD9F3DA



Germany Patent No. 299 02 532.2
United States Patent No. 5,954,088
China Patent No. ZL 98 2 09161.3

SAMPLE PART # FD9C-3X-150/2R3D-XX

- Firesafe
- Valve Series
- Denotes Carbon Steel
- End Connection (300# Flanged)
- Seat Material (RTFE Seats)
- Valve Size (1-1/2")
- Triac Actuator
- Rack & Pinion Pneumatic
- Actuator Size
- Double Acting
- Solenoid
- Limit Switch



Triac Division
11363 Deerfield Rd.
Cincinnati, Ohio 45242
PHONE (513) 247-5465
FAX (513) 247-5462
e-mail: sales@a-tcontrols.com
www.a-tcontrols.com