

FAIRCHILD T8000 STANDARD RANGE MINIATURE TWO-WIRE, P/I PRESSURE TRANSDUCER Installation Instructions

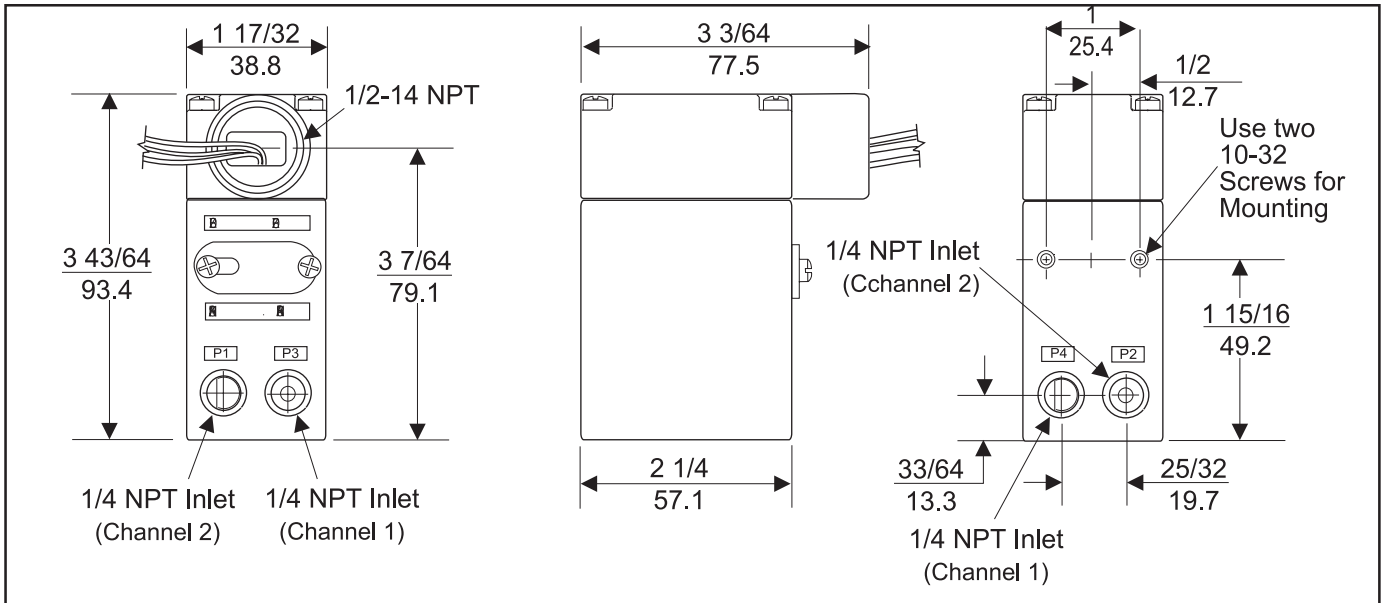


Figure 1. Model TA8000 Outline Dimensions

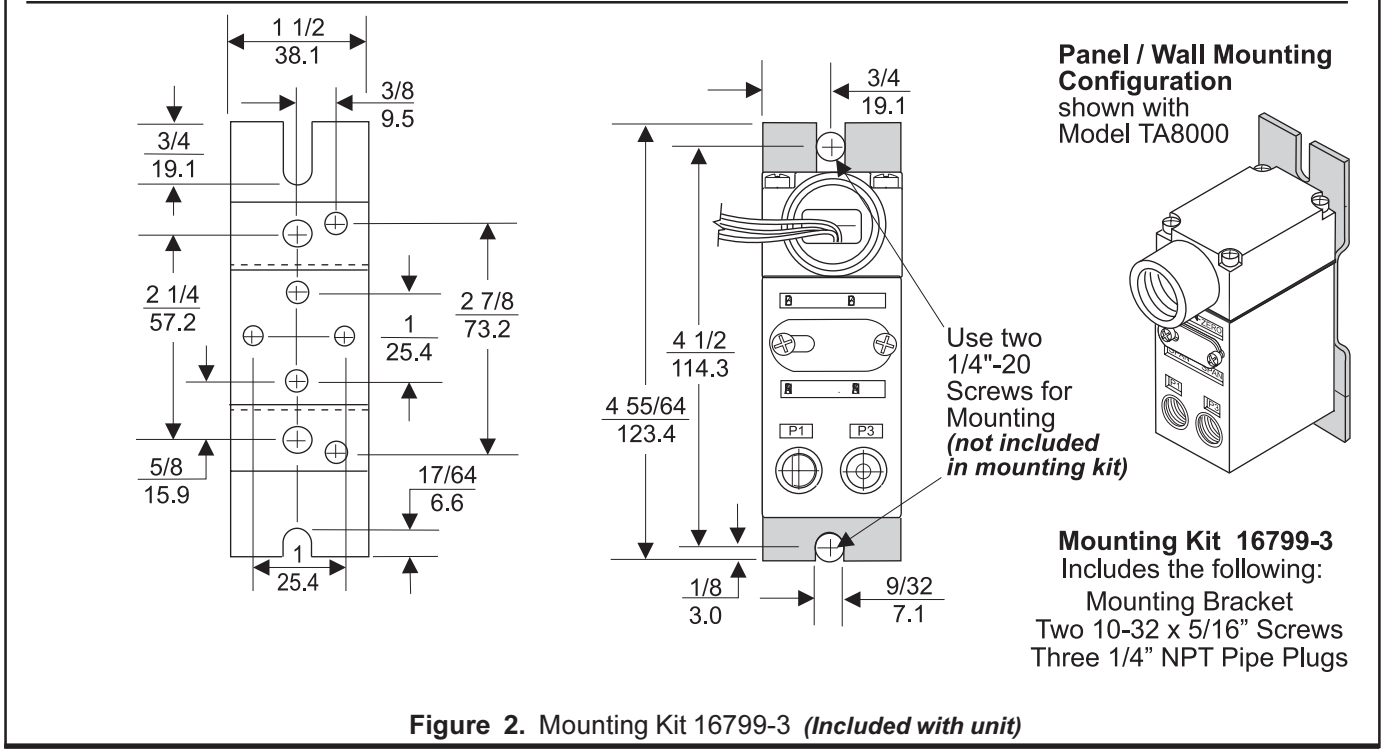


Figure 2. Mounting Kit 16799-3 (Included with unit)

INSTALLATION

Use Mounting Kit 16799-3 with two 10-32 tapped mounting holes, included with the unit, to mount the Model T8000 Series on a flat surface. Remove the break-away tabs on the mounting plate when used with pipe clamps. For more information, see Figure 2.

A DIN Rail Mounting Kit 16893, is available to install the unit on DIN rails. This mounting kit is included with the unit. For more information, see Figure 6. Use Mounting Kit 19254-1 to install the unit on a 2" pipe. For more information, see Figure 7.

LEGAL NOTICE: The information set forth in the foregoing Installation Instructions shall not be modified or amended in any respect without prior written consent of Fairchild Industrial Products Company. In addition, the information set forth herein shall be furnished with each product sold incorporating Fairchild's unit as a component thereof.

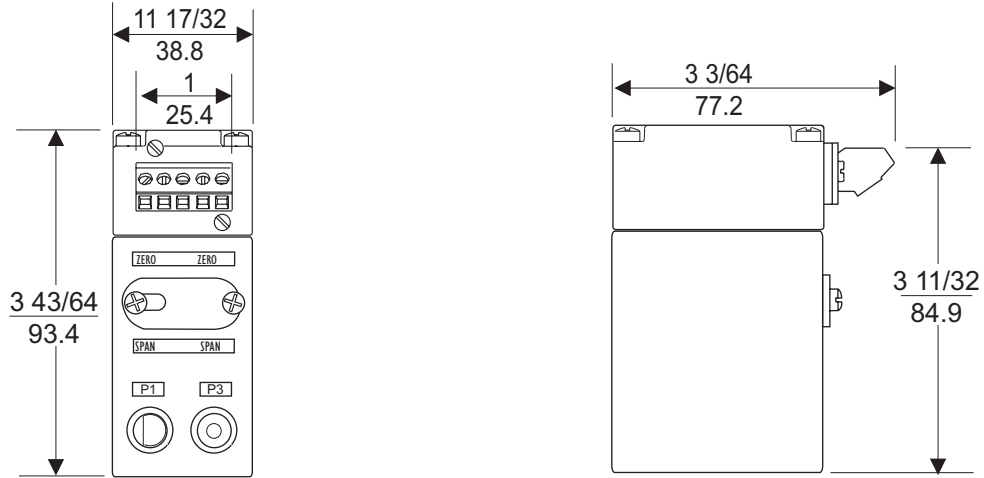


Figure 3. Model TT8000 Outline Dimensions

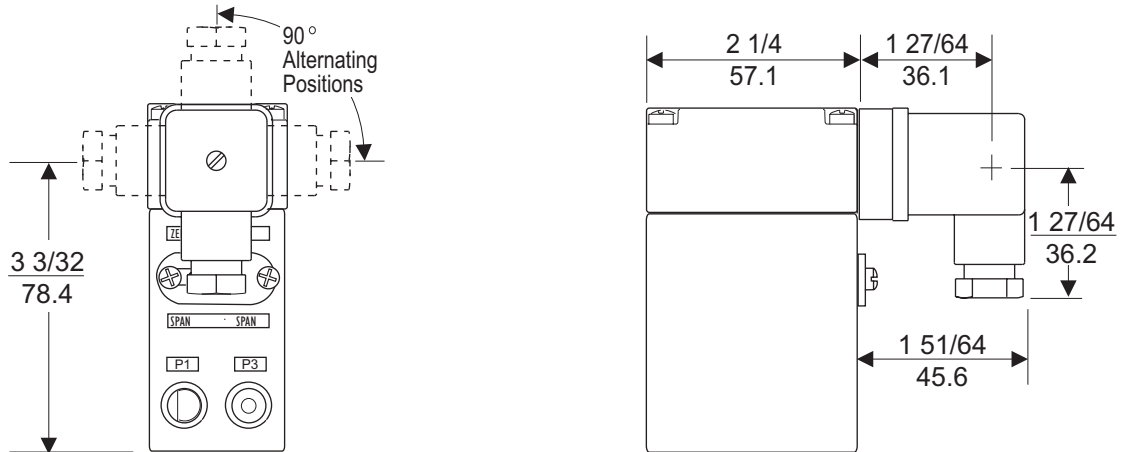


Figure 4. Model TD8000 Outline Dimensions

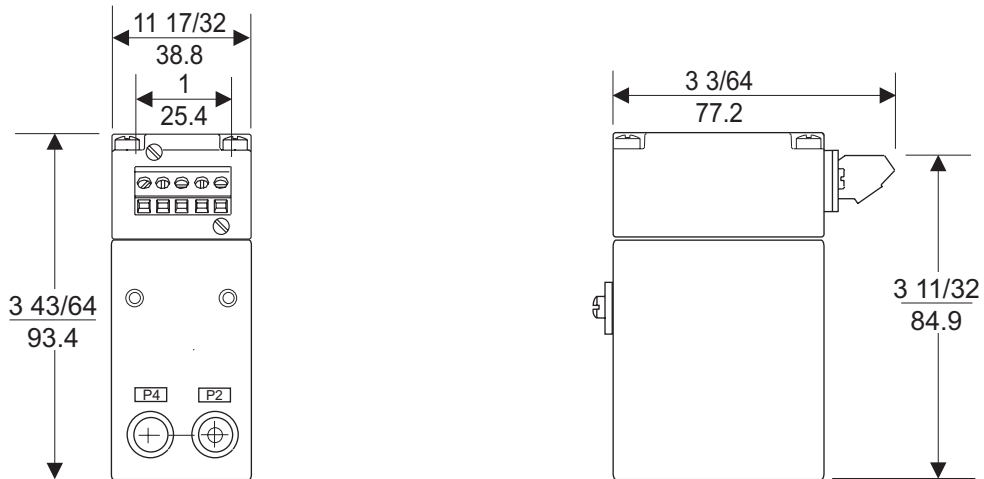


Figure 5. Model TR8000 Outline Dimensions.

NOTE: The TR8000 Transducer is designed to use the TR Rack Kit. Physical construction is the same as the TT8000 (Terminal Block) unit with one exception; the terminal block is located on the back. For more information, see Figure 5.

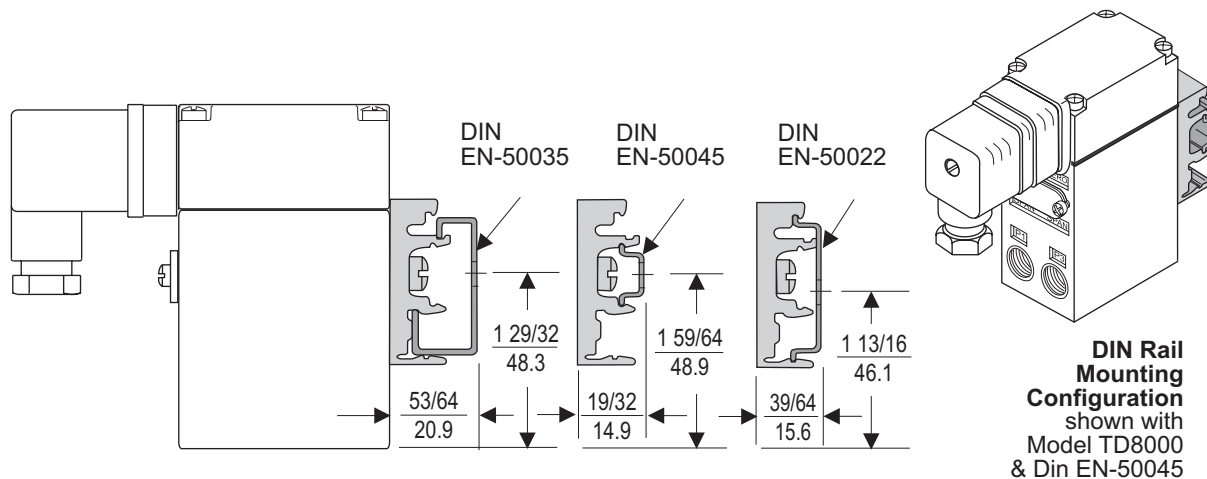
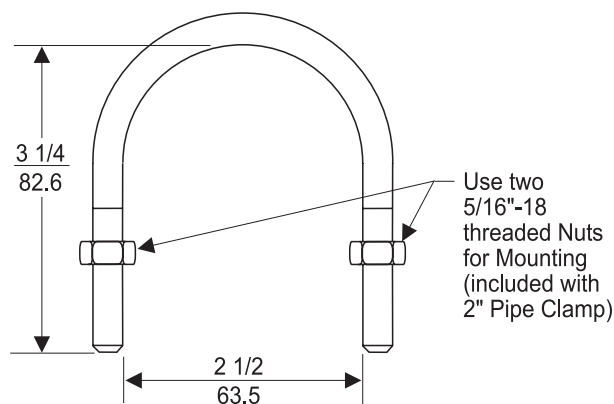
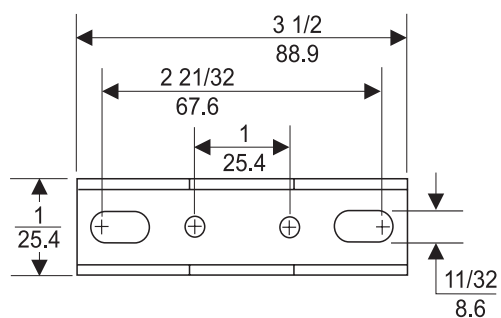
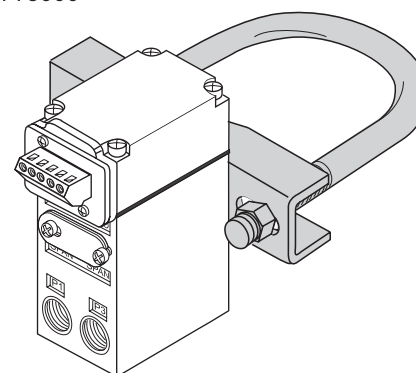


Figure 6. DIN Rail Mounting Kit 16893. (Included with unit)



2" Pipe Mounting Configuration
shown with Model TT8000



Mounting Kit 19254-1
includes the following:
Mounting Bracket • 2" Pipe Clamp
Two 10-32 x 5/16" Screws

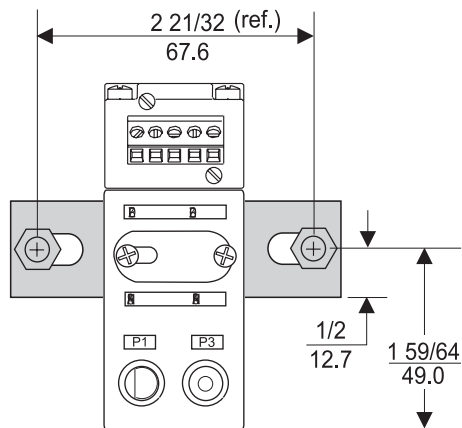


Figure 7. Optional Mounting Kit 19254-1. (Sold separately)

