

DISP-F

LARGE DIGITAL DISPLAYS

Large digital displays for the reading at long distance.

Features

DISP-Fx-yz

DISP-FPxx



x = input

- P : Process input : 0...10V and 4(0)...20mA
- S2 : RS232
- S4 : RS485

y = Digits (4 ou 6)

z = Digits height :

- DISP-Fx-y2 : 57 mm
- DISP-Fx-y4 : 102 mm
- DISP-Fx-y6 : 150 mm
- DISP-Fx-y8 : 200 mm
- DISP-Fx-y12 : 300 mm
- DISP-Fx-y16 : 400 mm
- other on request

Applications

- Load indication on overhead cranes
- Weighing indication at long distance
- Indication of measuring force or torque at a distance

Functions

- Tare by front key or external contact
- Programmation by front key or external contacts

Specifications	DISP-Fx-yz-AC	DISP-Fx-yz-AC-48	DISP-Fx-yz-DC	
Type	Large indicator	Large indicator	Large indicator	-
Sensor excitation	24VDC (60mA max)*	24VDC (60mA max)*	24VDC (60mA max)*	-
Display	4 / 6 digits	4 / 6 digits	4 / 6 digits	-
Linearity error	< ± 0.05*	< ± 0.05*	< ± 0.05*	% F.S.
Service temperature range	0...50 **	0...50 **	0...50 **	C
Storage temperature range	-20...70	-20...70	-20...70	C
Temperature coefficient of zero signal	< ± 0.03*	< ± 0.03*	< ± 0.03*	% F.S./10 C
Temperature coefficient of the sensitivity	< ± 0.025*	< ± 0.025*	< ± 0.025*	% F.S./10 C
Power supply	100...240 VAC (40VA)	48 VAC (40VA)	11...30 VDC (40W)	-
IP Rating	IP65***	IP65***	IP65***	-
Low pass filter	0...25*	0...25*	0...25*	s

* : N.A for DISP-FS2-yz and DISP-FS4-yz

** : Option -25...50 C (internal heating system)

*** : Display mounted vertically

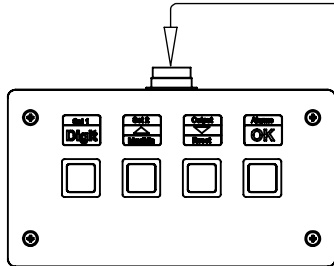
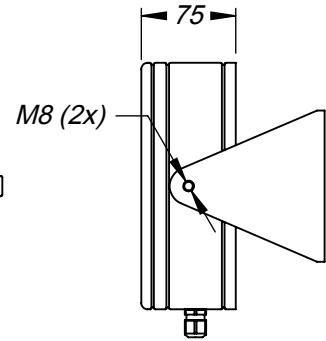
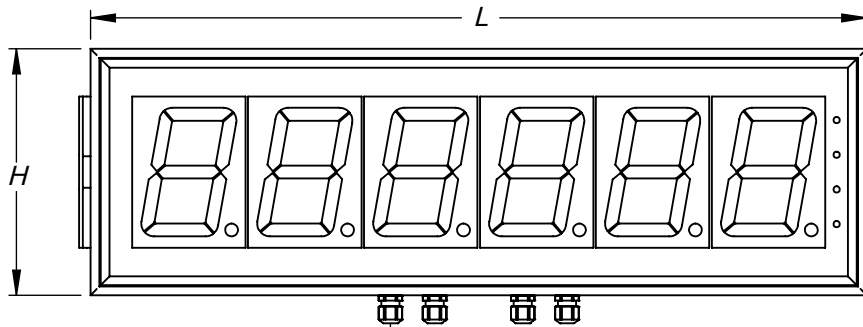
F.S.: full scale - Specifications subject to change without notice

LARGE DISPLAYS

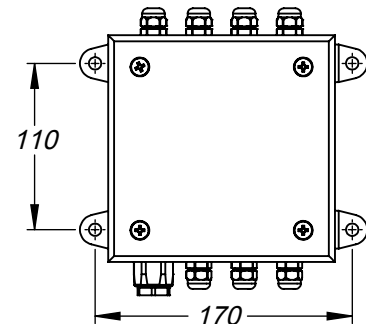


model DISP-FPxx-AC (Power supply : 100-240 VAC)
 model DISP-FPxx-DC (Power supply : 10-30 VDC)

4(6) DIGITS



OPTION 1: PROGRAMMATION BOX
 (Ref: PBOX-4B)



OPTION 2: JUNCTION BOX
 (Ref: JBOX-FP)

Model	Digits size (mm/inches)	L (mm)	H (mm)	Viewing distance
DISP-FP42(or FP62)-AC(or DC)	57 - 2.25"	279.5 (376)	154.5	25 m
DISP-FP44(or FP64)-AC(or DC)	102 - 4"	434 (616)	195.5	50 m
DISP-FP46(or FP66)-AC(or DC)	150 - 6"	580 (820)	246	75 m
DISP-FP48(or FP68)-AC(or DC)	200 - 8"	750 (1072)	290	100 m
DISP-FP412(or FP612)-AC(or DC)	300 - 12"	1050 (1540)	408	140 m
DISP-FP416(or FP616)-AC(or DC)	400 - 16"	1368 (2020)	515	200 m

4 Digits: DISP-FP4x
 6 Digits: DISP-FP6x

