

5570-5575

RUNNING LINE TENSIONMETER

Load cell specially designed to measure the tension force applied to a running cable or a running rope.

Model 5575



Features

- Custom made design according to your need :
 - o type of rope (steel, synthetic, optical fiber, umbilical)
 - o capacity
 - o rope diameter (Ø from 6 up to 115 mm)
 - o maximum winding speed
 - o accuracy
- Protection : IP65
- Material :
 - o load pin : stainless steel
 - o other : nickel plated steel or stainless steel (option)
- Cable length: 6m
- Available options (non exhaustive list) :
 - o load pin's certification Ex 'i' (ATEX, IECEx, CSA)
 - o load pin's explosion proof Certification Ex 'd' (ATEX)
 - o amplified output (V or mA) and digital output signal (RS-485)
 - o protection IP68 or special for marine environment

Applications

The SENSY's load cell 5570-5575 is perfectly designed to the following applications :

- Mooring control in Oil and gas and marine equipment's
- ROV umbilical tension control
- Single rope cranes load limitation
- Tension measurement of towage and haulage cable
- Force measurement of winches

Capacities

5570 - 5575 : from 0,4 to 600 t

Specifications	2 - 5%	
Reference temperature	23	C
Nominal temperature range	-10...+45	C
Service temperature range	-30...+70	C
Storage temperature range	-50...+85	C
Temperature coefficient of the sensitivity	< ± 0.1	% F.S./10 C
Temperature coefficient of zero signal	< ± 0.1	% F.S./10 C
Input resistance	352 ± 2	Ohm
Output resistance	352 ± 2	Ohm
Insulation resistance (50V)	> 5000	Megaohm
Reference excitation voltage	10	VDC
Nominal range of excitation voltage	3..12	VDC
Nominal sensitivity	± 1 **	mV/V
Safe load limit	200	% F.S.
Breaking load	> 300	% F.S.
Permissible dynamic loading	70	% F.S.

* : 'Ex' certifications are applicable to electrical components

** : Can be different (according to the wire rope)

Combined error depends on rope material and on site calibration

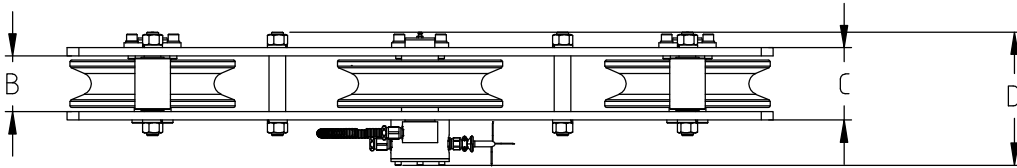
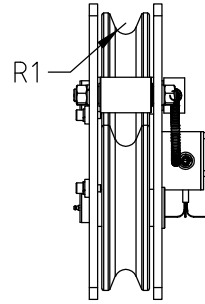
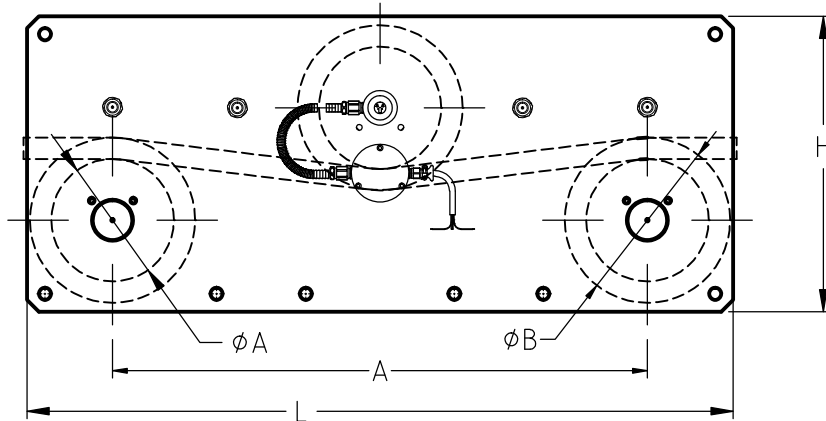
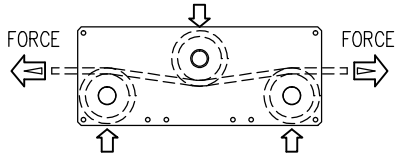
F.S.: full scale - Specifications subject to change without notice

RUNNING LINE TENSIO METER

model 5570 stainless steel
 model 5575 alloy steel

FOR CABLE (Ø6) Ø8 to 115 mm

Range 0.4-600t IP 67



Other sizes and capacities on request
 Some examples:

CAPACITIES	ØCABLE	ØA	ØB	R1	A	B	C	D	H	L	Max. Speed	Weight (kg)
400 kg	8	48	90	8.5	500	34	50	110	117	630	1 m/s	± 9
1.5 t	12	48	90	8.5	500	34	50	110	140	630	1 m/s	± 10.6
6 t	16	119	151	9	500	34	50	110	140	661	6 m/s	± 38
20 t	Min 28 - Max 32	120	184	17	900	63	79	159	341	1210	80 m/mn	± 51
40 t	36	206	278	19	900	94	122	224	497	1188	10 m/mn	± 224

Ø 38 -> Ø 115 to customer design specifications (Up to 600t.)

Configurator on www.runninglinetensiometer.com

