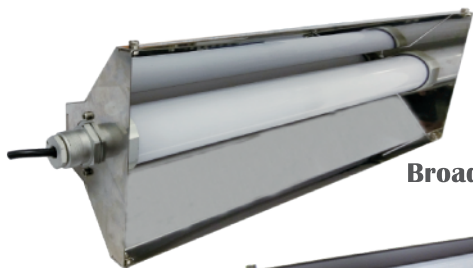




L1601C

Hazardous Location LED Lighting



Broad reflector



Narrow reflector

Net Weight: S-1.1 kg (2.4 lb) / M-1.6 kg (3.5 lb) / L-2.6 kg (5.7 lb)



Protection

- Ex nR II T6 Gc X
- Ex tb IIIC T85°C Db X

Standards

- CNS 3376-0
- CNS 3376-15
- IEC 60079-0
- IEC 60079-15
- IEC 60079-31

Light Features

- Light weight
- Provides different mounting option to suits your need
- LED tube light suitable for food process illumination

Technical Data

Rated Voltage (±10%)	110V / 220V / 277V AC			
Watts (±10%)	S : 10W / M : 20W / L : 40W			
Amps	10W 110V: 0.09A, 220V: 0.05A, 277V: 0.04A / 20W 110V: 0.18A, 220V: 0.09A, 277V: 0.07A / 40W 110V: 0.36A, 220V: 0.18A, 277V: 0.15A			
Color of LED Light	3000K (Warm White) / 5000K (Cool White)			
Ambient Temperature	-20°C ~ +40°C, T6			
Power Factor	cos ≥ 0.9			
CRI	Cool White ≥ 70 / Warm White ≥ 80			
Lumen (±10%)	SMD	10W	20W	40W
	3000K	900lm	1800lm	3600lm
	5000K	1000lm	2000lm	4000lm
Beam Angle	x-113° / Y-145° (without reflector) x-116° / Y-119° (with broad reflector) x-114° / Y-141° (with narrow reflector)			
Frequency	50 / 60 Hz			
Degree of Protection	IP68 / NEMA 6P			
Material	<ul style="list-style-type: none"> • Enclosure: Aluminum alloy • Lighting Tube: PC 			
LED Service Life	60,000 hrs			
Entrance Thread	1 × M25			

Standard Product Length

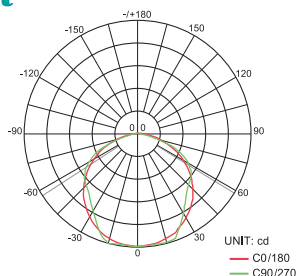
S : 405 mm

M : 655 mm

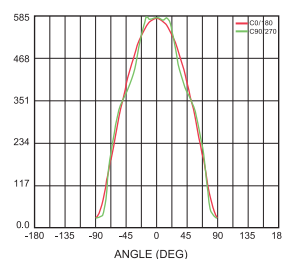
L : 1155 mm

Optical Report

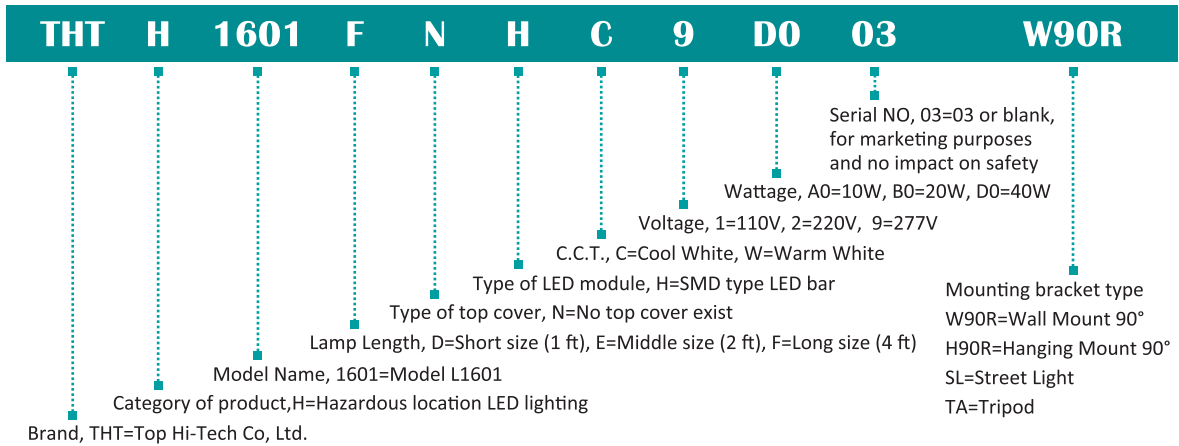
Polar Luminous Intensity Distribution



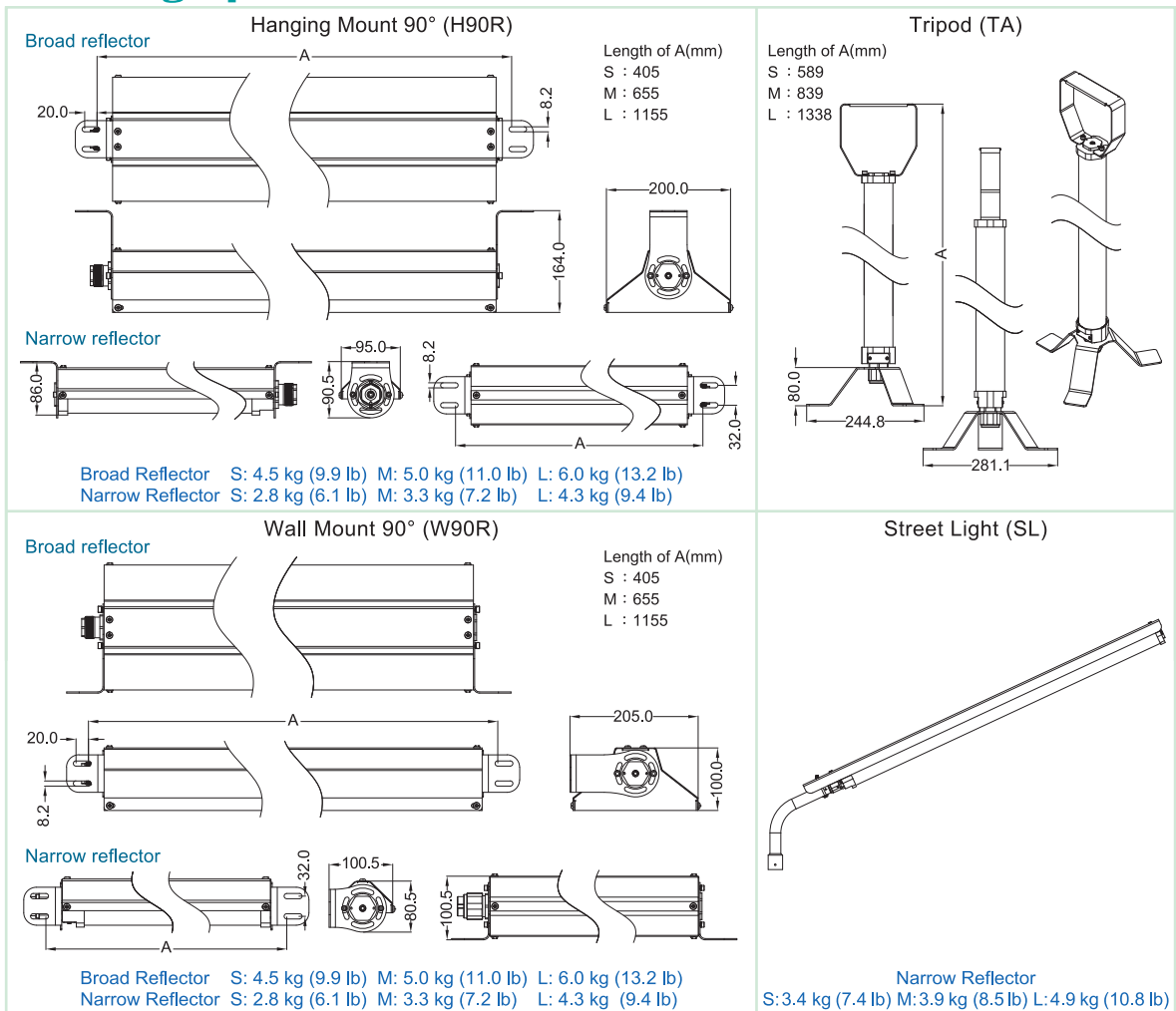
Luminous Intensity Distribution Diagram



Model Code



Mounting Option & Dimensions (All in mm)



Applicable Area

- Oil Refinery Complex
- Painting Facility
- Transproting Liquefied
- Offshore Platform
- Petrochemical Complex
- Transporting Nature Gas
- Petroleum Gas
- (Oil and Natural Gas)