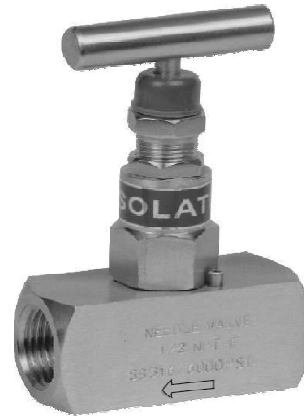


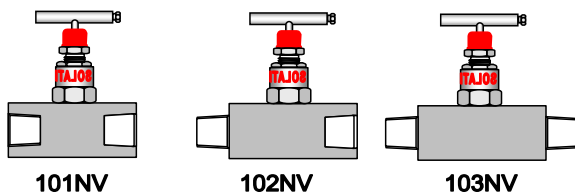
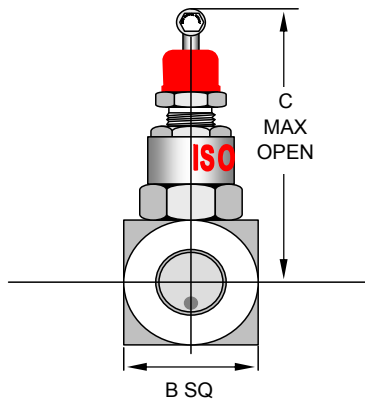
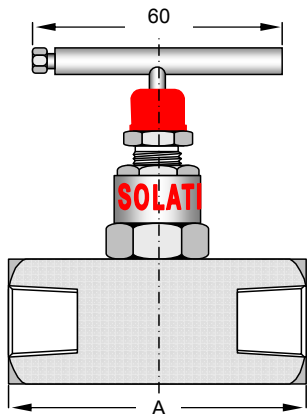
MODEL 101NV / 102NV / 103NV BARSTOCK NEEDLE VALVE

The Model 101NV / 102NV / 103NV Needle Valves are designed for a wide variety of applications, requiring throttling or shut off, this is an extremely versatile valve with a wide selection of inlet and outlet configurations.

This design is suitable for applications up to 6,000psi (420Bar)



Introduction



Specifications

Material of Construction:

SS316, Carbon Steel, Monel, Hastelloy

Test Pressure (at 25°C Room Temperature)

Hydrostatic:	Body	-	620Bar
	Seat	-	415Bar
Pneumatic:	Seat	-	40Bar

Gland Packing

PTFE	:	Standard
Graphoil	:	Temperatures Above 180°C

Finish

CS: Zinc Plated; SS: Natural

Connection:

See below

Weight

1.50LBS (700g)

Accessories

None

Order Information

Model	Description				
101NV	Barstock Needle Valve, Female x Female connection				
102NV	Barstock Needle Valve, Female x Male connection				
103NV	Barstock Needle Valve, Male x Male connection				
	Code	Size	A	B	C
	01	1/4" NPT	56	25	89
	02	3/8" NPT	56	25	89
	03	1/2" NPT	65	28	90
	Code	Materials of Construction			
	S2	SS 316			
	CS	Carbon Steel			
	MN	Monel 400			
	HA	Hastelloy C			
	XX	Other (Specify)			
	Code	Packing Material			
	TF	Teflon			
	GR	Grafoil			
	XX	Other (Specify)			
101NV	03	S2	TF		