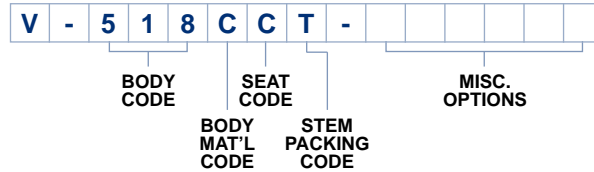


Multi-Port Gauge Valves ~ Hard Seat

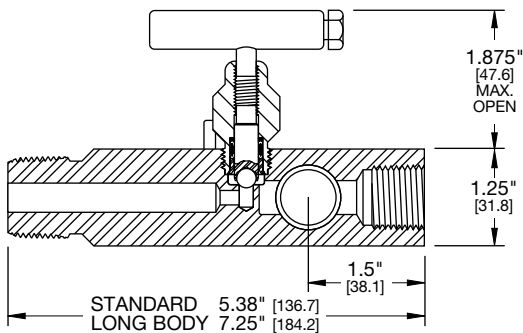
ORIFICE

.187"



ORDERING INFORMATION

V-518



PART NO.	CONNECTIONS		BODY & BONNET	SEAT	PACKING
	INLET	OUTLET			
.187" Orifice					
V-516CCT	1/2" MNPT x (3) 1/2" FNPT Standard		Carbon Steel	Carbide Ball	PTFE Pressure-Core® Stem Seal
V-516SCT			316 SS		
V-516MNT			Monel®	Monel® Ball	
V-518CCT	3/4" MNPT x (3) 1/2" FNPT Standard		Carbon Steel	Carbide Ball	
V-518SCT			316 SS		
V-518MNT			Monel®	Monel® Ball	
V-520CCT	1/2" MNPT x (3) 1/2" FNPT Longbody		Carbon Steel	Carbide Ball	Max Pressure 10,000 PSI @ 200°F
V-520SCT			316 SS		
V-532CCT	3/4" MNPT x (3) 1/2" FNPT Longbody		Carbon Steel		
V-532SCT			316 SS		

OPTION CODE	DESCRIPTION
Body Material Options	
P	ASTM A105 CF Carbon Steel <i>For Use with Grafoil® Packed Bonnets</i>
Seat Material Options	
N	Monel® Ball Seat
R	Ceramic Ball Seat
6	316 SS Ball Seat
Stem Packing Material Options	
T	PTFE Pressure-Core® Stem Seal
G	Low-Torque™ Grafoil® Packed
J	PTFE Pressure-Core® Stem Seal (Low Temperature -50°F)
Miscellaneous Options See Complete List on Page 24	
AM7	Male Pipe Socket Weld - Male Inlet Only
S1	Monel Stem Material
W	Safety Bonnet Lock Plate (Lock Pin Standard)
W1	316 SS Tag
WK	Paper Tag
XL	Clean for Critical Service (Oxygen or Chlorine)
Y	OS&Y Bonnet Carbon Steel Or 316SS

MATERIALS OF CONSTRUCTION

PART DESCRIPTION	CARBON STEEL	316 SS
Body and Bonnet	ASTM A108 CS	ASTM A479-316 SS
Stem	ASTM A479-316 SS	ASTM A479-316 SS
Seal Retainer	ASTM A479-316 SS	ASTM A479-316 SS
Handle Assembly	ASTM A108 CS	ASTM A581 18-8 300 SS

- PGI Carbon Steel Products are Alkaline Zinc plated for corrosion prevention.
- PGI 316 SS Products meet the requirements of NACE MR0175/ISO 15156-3.
- 100% Pressure Tested

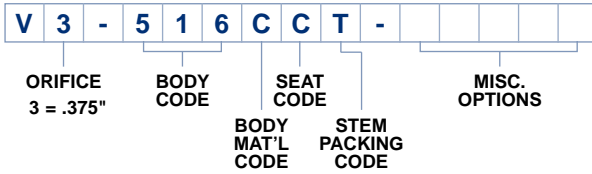
MAX Cv RATINGS

ORIFICE SIZE	BODY STYLE
	Straight
.187"	.53
Approximate Valve Weight: 2.30 lbs [1.04 kg] each (Standard) 3.00 lbs [1.36 kg] each (Longbody)	

Multi-Port Gauge Valves ~ Hard Seat

ORIFICE

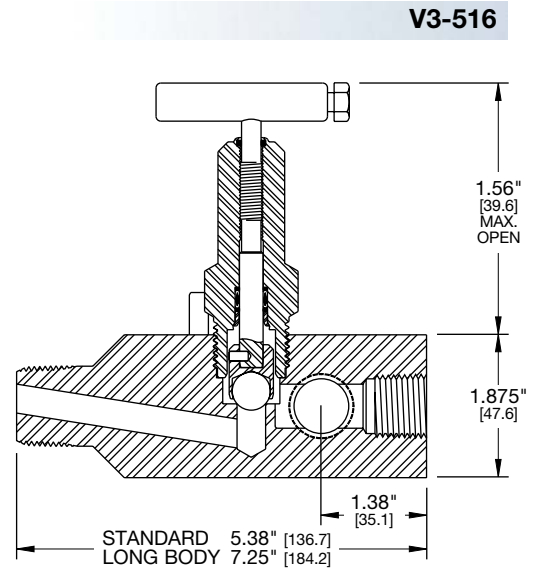
.375"



ORDERING INFORMATION

PART NO.	CONNECTIONS		BODY & BONNET	SEAT & PACKING
	INLET	OUTLET		
.375" Orifice				
V3-516CCT	1/2" MNPT	(3) 1/2" FNPT	Carbon Steel	Carbide Ball Seat PTFE Pressure-Core® Stem Seal
V3-516SCT	Standard	Standard	316 SS	
V3-518CCT	3/4" MNPT	(3) 1/2" FNPT	Carbon Steel	Refer to page 22 Press./Temp. Chart C.
V3-518SCT	Standard	Standard	316 SS	
V3-516PCG	1/2" MNPT	(3) 1/2" FNPT	Carbon Steel	Carbide Ball Seat Grafoil® Packed
V3-516SCG	Standard	Standard	316 SS	
V3-518PCG	3/4" MNPT	(3) 1/2" FNPT	Carbon Steel	Refer to page 22 Press./Temp. Chart E.
V3-518SCG	Standard	Standard	316 SS	
V3-520PCG	1/2" MNPT	(3) 1/2" FNPT	Carbon Steel	Refer to page 22 Press./Temp. Chart E.
V3-520SCG	Longbody	Longbody	316 SS	
V3-532PCG	3/4" MNPT	(3) 1/2" FNPT	Carbon Steel	Refer to page 22 Press./Temp. Chart E.
V3-532SCG	Longbody	Longbody	316 SS	

OPTION CODE	DESCRIPTION
Body Material Options	
P	ASTM A105 CF Carbon Steel <i>For Use with Grafoil® Packed Bonnets</i>
Seat Material Options	
R	Ceramic Ball Seat
6	316 SS Ball Seat
Stem Packing Material Options	
T	PTFE Pressure-Core® Stem Seal
G	Low-Torque™ Grafoil® Packed
J	PTFE Pressure-Core® Stem Seal (Low Temperature -50°F)
Miscellaneous Options <i>See Complete List on Page 24</i>	
AM7	Male Pipe Socket Weld - Male Inlet Only
W	Safety Bonnet Lock Plate (Lock Pin Standard)
W1	316 SS Tag
WK	Paper Tag
XL	Clean for Critical Service (Oxygen or Chlorine)
Y	OS&Y Bonnet Carbon Steel Or 316SS



MATERIALS OF CONSTRUCTION

PART DESCRIPTION	CARBON STEEL	316 SS
	Body and Bonnet	ASTM A108 CS
Stem	ASTM A479-316 SS	ASTM A479-316 SS
Seal Retainer	ASTM A479-316 SS	ASTM A479-316 SS
Handle Assembly	ASTM A108 CS	ASTM A581 18-8 300 SS

- PGI Carbon Steel Products are Alkaline Zinc plated for corrosion prevention.
- PGI 316 SS Products meet the requirements of NACE MR0175/ISO 15156-3.
- 100% Pressure Tested

MAX Cv RATINGS

ORIFICE SIZE	BODY STYLE Straight
.375"	2.40
Approximate Valve Weight: 2.30 lbs [1.04 kg] each (Standard) 3.00 lbs [1.36 kg] each (Longbody)	

MULTI-PORT GAUGE VALVES