




# Pneumatic Double Acting Automated Ball Valve Package

Series FD9  
ANSI 150# Flanged  
Ball Valve  
Direct Mount

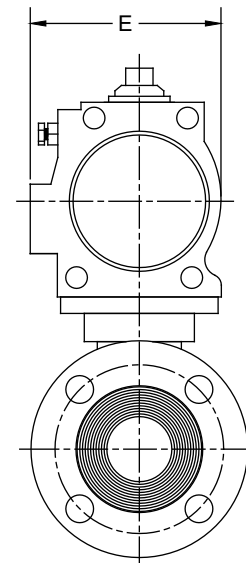
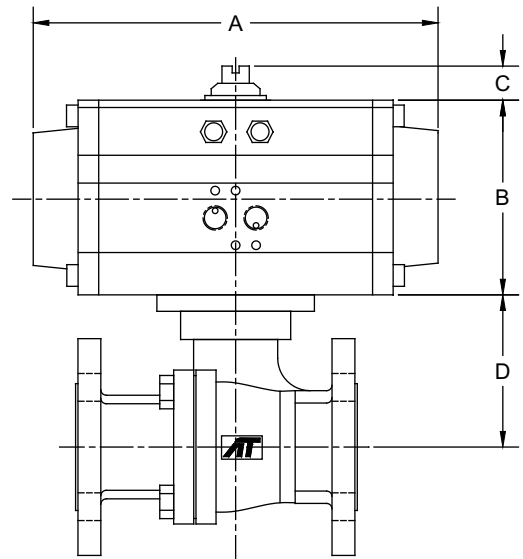
Fireproof   
Full Port Valve  
ANSI Class 150#  
Available 1/2" – 6"  
316SS or WCB Body  
316SS Ball & Stem  
Belleville Washers  
Chevron Packing  
RTFE Seats Standard  
Pyramidal Stem Design

STANDARDS	
Design	ANSI B16.34
Face to Face	ANSI B16.10
Flange Dimensions	ANSI B16.5
Pipeline Valves	API 6D
Pressure Testing	API 598
Mounting Pad	ISO 5211
Marking System for Valves	MSS SP-25
Material Certification	EN 10204
Quality Assurance	ISO 9001

**API 607 - 4th Edition  
CERTIFIED**



150# Flanged  
Firesafe Tested to API-607  
Direct Mount



**DIMENSIONS (IN)**

VALVE SIZE	A	B	C	D	E	VALVE Cv
1/2"	5.98	2.76	0.79	1.84	2.58	15
3/4"	5.98	2.76	0.79	2.02	2.58	45
1"	7.95	3.43	0.79	2.31	3.29	85
1-1/2"	9.29	4.49	0.79	3.51	4.41	275
2"	9.29	4.49	0.79	3.80	4.41	450
2-1/2"	10.87	4.88	0.79	4.57	4.82	700
3"	13.90	6.18	0.79	5.22	6.04	1100
4"	13.90	6.18	0.79	6.18	6.04	2200
6"	20.95	8.31	1.18	8.28	7.64	5150

DIMENSIONS SHOWN ARE FOR ASSEMBLIES SIZED FOR 80 PSI SUPPLY

**SERIES FD9 150# Flanged Direct Mount Firesafe**

SIZED FOR 80 psi AIR SUPPLY	
SIZE	MODEL
1/2"	FD9-F1-050/TR1D-XX
3/4"	FD9-F1-075/TR1D-XX
1"	FD9-F1-100/2R2D-XX
1-1/2"	FD9-F1-150/2R3D-XX
2"	FD9-F1-200/2R3D-XX
2-1/2"	FD9-F1-250/2R4D-XX
3"	FD9-F1-300/2R6D-XX
4"	FD9-F1-400/2R6D-XX
6"	FD9-F1-600/2R8D-XX

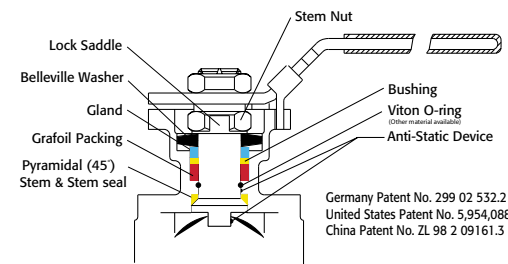
SIZED FOR 60 psi AIR SUPPLY	
SIZE	MODEL
1/2"	FD9-F1-050/TR1D-XX
3/4"	FD9-F1-075/2R2D-XX
1"	FD9-F1-100/2R2D-XX
1-1/2"	FD9-F1-150/2R3D-XX
2"	FD9-F1-200/2R3D-XX
2-1/2"	FD9-F1-250/2R5D-XX
3"	FD9-F1-300/2R6D-XX
4"	FD9-F1-400/2R6D-XX
6"	FD9-F1-600/2R9D-XX

OPTIONS			
DESCRIPTION	PART NO. SUFFIX	DESCRIPTION	PART NO. SUFFIX
NEMA 4 Solenoid	(A)	NEMA 4 Limit Switch (2) spdt	(A)
NEMA 7 Solenoid	(B)	NEMA 7 Limit Switch (2) spdt	(B)

Other options available - call for details  
Actuators are sized based on clean/clear fluid.

See valve part number matrix for complete part number and options.

050111-FD9DA



Germany Patent No. 299 02 532.2  
United States Patent No. 5,954,088  
China Patent No. ZL 98 2 09161.3

**SAMPLE PART #  
FD9C-F1-150/2R3D-XX**

- Firesafe
- Valve Series
- Denotes Carbon Steel
- End Connection (150# Flanged)
- Seat Material (RTFE Seats)
- Valve Size (1-1/2")
- Triac Actuator
- Rack & Pinion Pneumatic
- Actuator Size
- Double Acting
- Solenoid
- Limit Switch



Triac Division  
11363 Deerfield Rd.  
Cincinnati, Ohio 45242  
PHONE (513) 247-5465  
FAX (513) 247-5462  
e-mail: sales@a-tcontrols.com  
www.a-tcontrols.com