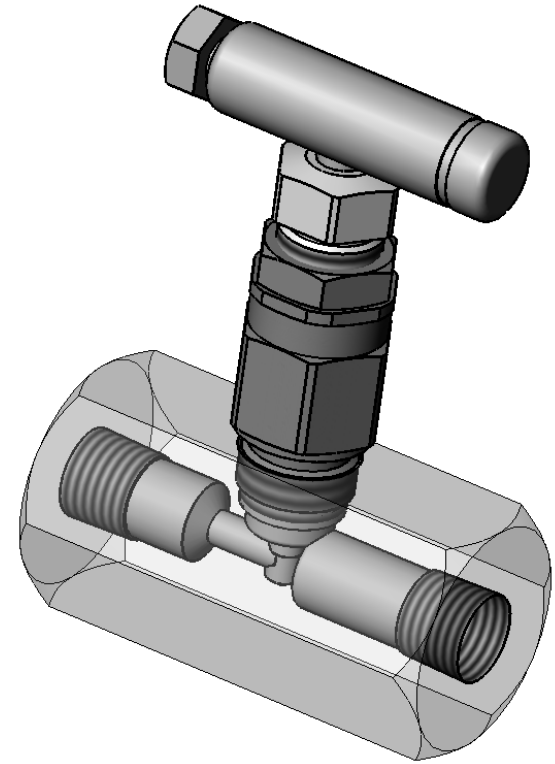
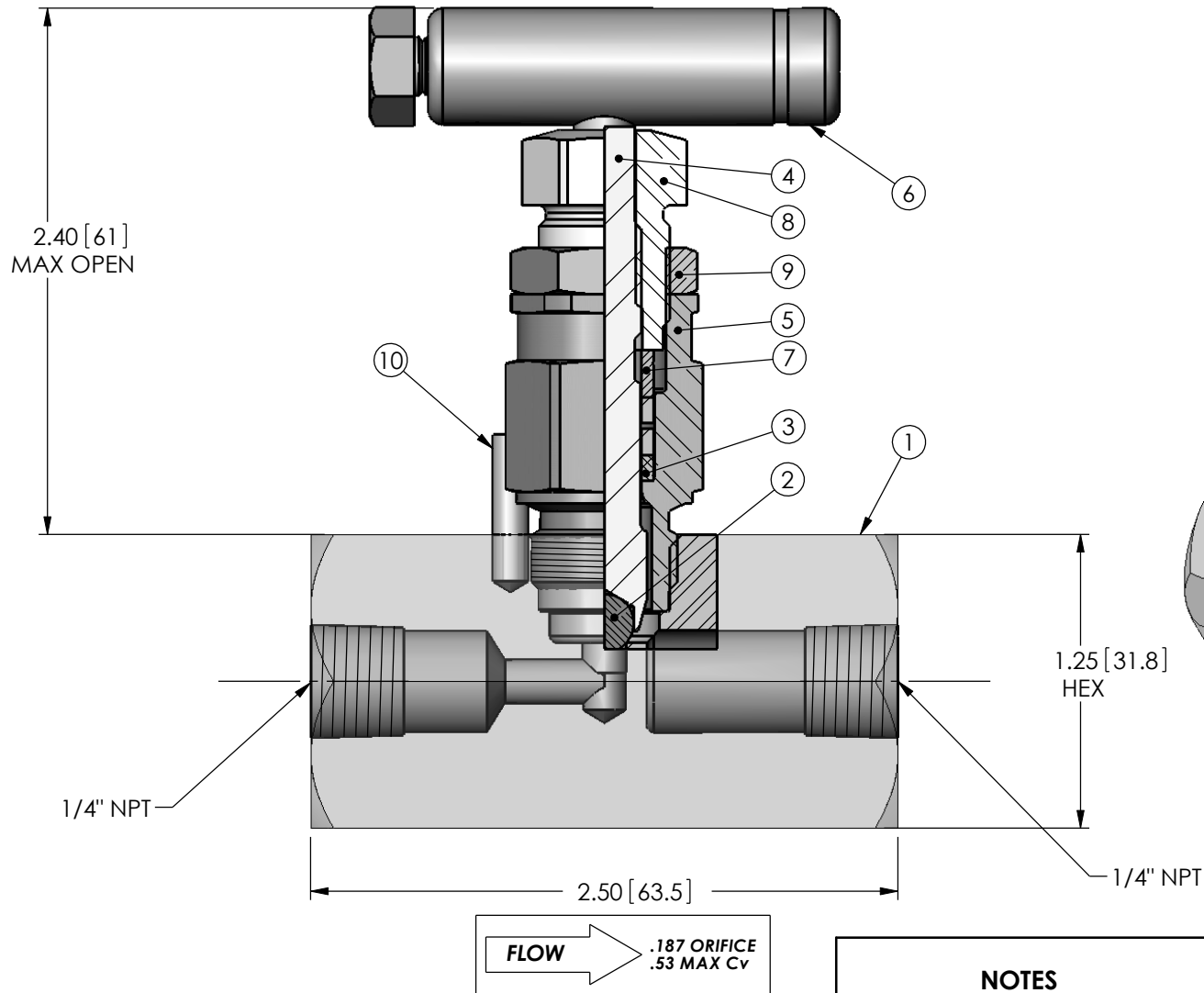


REVISIONS		
REV.	DATE	CO#
1	8/13/2007	27523



NOTES

1. DIMENSIONS IN [] ARE IN MILLIMETERS.
2. APPROX. WEIGHT 1.0 lbs. (.45 kg.)
3. <AZ> INDICATES ALKALINE ZINC PLATED WITH DICHROMATE DIP.
4. <PO> INDICATES PHOSPHATE AND OIL.
5. <P0> AISI 1018 C.S. IS USED WHEN WELDED BODY CONNECTION ARE SPECIFIED.
6. 316 SS MANIFOLD/VALVE MEETS REQUIREMENTS OF NACE MR0175 (LATEST REV.) UP TO 140 °F

PGI RESERVES THE RIGHT TO CHANGE THE DESIGN, DIMENSIONS OR MATERIAL CONTENT OF OUR PRODUCTS WITHOUT PRIOR NOTIFICATION.



Lone Star

BY PGI

16101 VALLEN DRIVE
HOUSTON, TX. 77041

(713) 466-0056 or 1-800-231-0233
FAX: (713) 744-9892

1/4" F-F STRAIGHT VALVE

.187 ORIFICE

REVISION DATE

5-21-05

APP'D

SCALE

NONE

DRAWING NO. & REVISION

V-502X6P r01

PGI EXTERNAL DOCUMENT

GENERAL PRODUCT DESCRIPTION

PRODUCT PART NUMBER		V-502P6P	V-502S6P		
NO.	DESCRIPTION	10,000 PSI @ 200°F 1,000 PSI 500°F MAX	10,000 PSI @ 200°F 1,000 PSI 500°F MAX	QTY.	
1	VALVE BODY	(P) <AZ>ASTM A105	(S) ASTM A479-316	1	
2	BALL (1/4")	(6) 316 S.S.	(6) 316 S.S.	1	
3	STEM SEAL	(P) TEFLON	(P) TEFLON	4	
4	STEM	ASTM A479-316	ASTM A479-316	1	
5	BONNET	ASTM A105	ASTM A479-316	1	
6	HANDLE ASSEMBLY	ASTM A582 18-8	ASTM A582 18-8	1	
7	PACKING FOLLOWER	ASTM A479-316	ASTM A479-316	1	
8	PACKING ADJUSTER	ASTM A105	ASTM A479-316	1	
9	JAM NUT	ASTM A105	ASTM A582-303	1	
10	ROLL PIN	300 SERIES SS	300 SERIES SS	1	