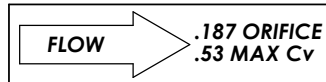
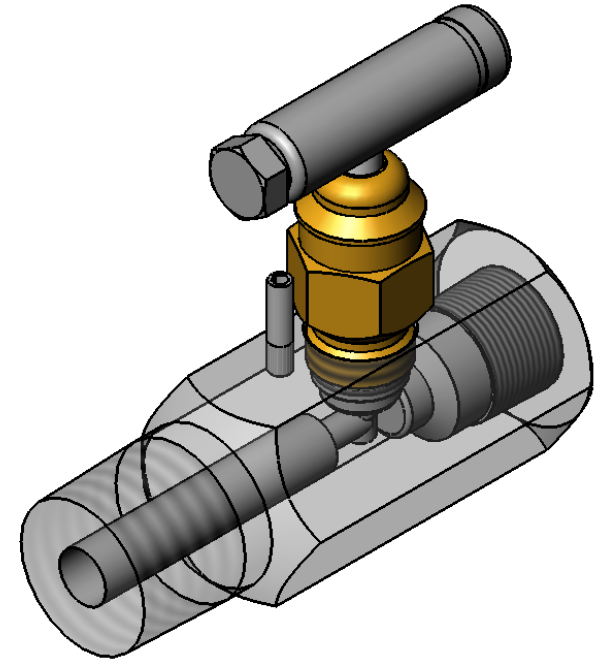
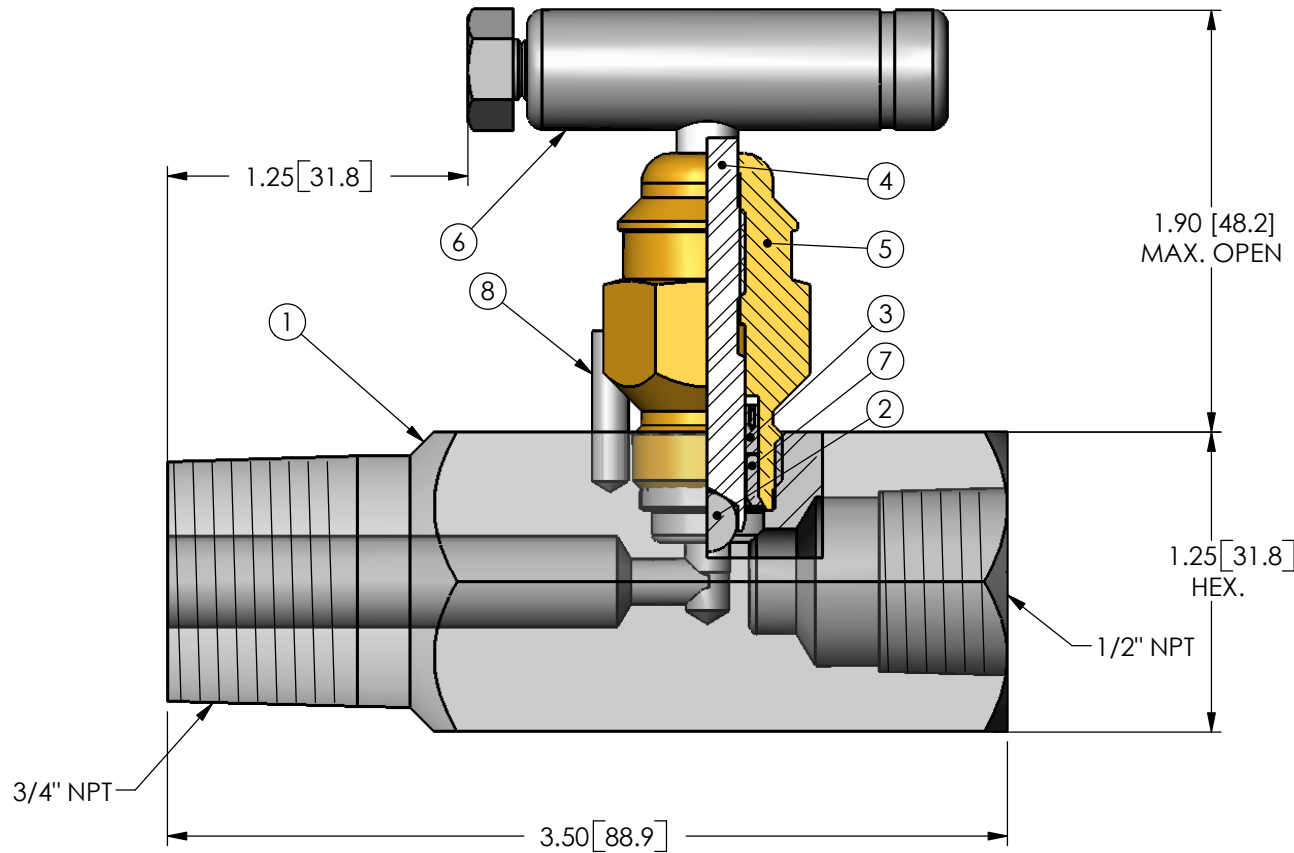


REVISIONS		
REV.	DATE	CO#
6	6/11/2005	23306



NOTES

1. DIMENSIONS IN [] ARE IN MILLIMETERS.
2. APPROX. WEIGHT 1.25 lbs. (.57 kg.)
3. <AZ> INDICATES ALKALINE ZINC PLATED WITH DICHROMATE DIP.
4. <PO> INDICATES PHOSPHATE AND OIL.
5. <P0> AISI 1018 C.S. IS USED WHEN WELDED BODY CONNECTION ARE SPECIFIED.
6. 316 SS MANIFOLD/VALVE MEETS REQUIREMENTS OF NACE MR0175 (LATEST REV.) UP TO 140°F

PGI RESERVES THE RIGHT TO CHANGE THE DESIGN, DIMENSIONS OR MATERIAL CONTENT OF OUR PRODUCTS WITHOUT PRIOR NOTIFICATION.

PGI International

16101 VALLEN DRIVE
HOUSTON, TX. 77041

(713) 466-0056 or 1-800-231-0233
FAX: (713) 744-9892

3/4" M X 1/2" F HARD SEAT STRAIGHT VALVE

APP'D
SCALE
NONE

DRAWING NO. & REVISION

V-528XCT r06

**PGI EXTERNAL DOCUMENT
GENERAL PRODUCT DESCRIPTION**

PRODUCT PART NUMBER		V-528CCT	V-528SCT		
NO.	DESCRIPTION	10,000 PSI @ 200°F 8,000 PSI @ 450°F MAX	10,000 PSI @ 200°F 8,000 PSI @ 450°F MAX	QTY.	
1	VALVE BODY	(C) <AZ>ASTM A108-1215	(S) ASTM A479-316	1	
2	BALL (1/4")	(C) CARBIDE BALL	(C) CARBIDE BALL	1	
3	STEM SEAL	(T) TEFLON	(T) TEFLON	1	
4	STEM	ASTM A479-316	ASTM A479-316	1	
5	BONNET	<AZ> ASTM A108-1215	ASTM A479-316	1	
6	HANDLE ASSEMBLY	<AZ>ASTM A108	ASTM A582 18-8	1	
7	SEAL RETAINER	ASTM A479-316	ASTM A479-316	1	
8	ROLL PIN	300 SERIES SS	300 SERIES SS	1	