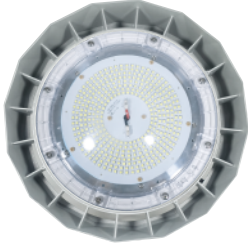


L2302 Series Hazardous Locations LED Light



L2302A
GLASS



L2302B
Clear PC Cover



L2302C
Matte PC Cover



Protection

- Class I, Division 2, Group A, B, C, D

Standards

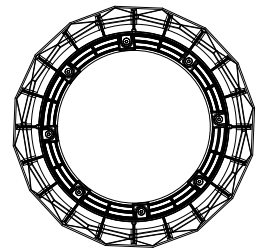
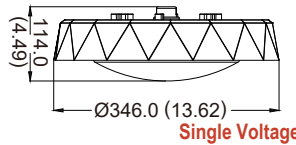
- UL 844
- UL 1598 Luminaires
- UL 8750
- CSA C22.2 No. 137-18

Net Weight: 5.5 kg (12.1 lb)

Technical Data

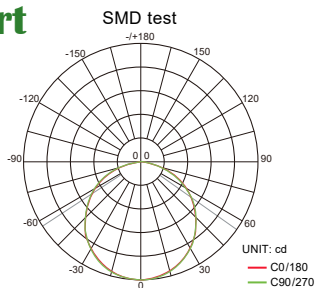
L2302A / L2302B / L2302C

	Single Voltage		
Rated Voltage (±10%)	110 / 120 / 220 / 230 / 277 Vac		24 Vdc
Wattage (±10%) <small>* Please refer to red numbering for the corresponding T code</small>	180W ① 200W / 220W / 240W ② 250W ③	40W / 50W / 60W ① 65W / 75W / 95W ② 120W / 140W ③ 150W ④	60W ① 80W ② 100W ③
Amps	0.65A~2.27A	0.14A~1.36A	2.50A~4.17A
Color of LED Light	3000K (Warm White) 5000K (Cool White)	3000K (Warm White) 5000K (Cool White)	5000K (Cool White)
Ambient Temperature	-20°C ~ +79°C, T3B ① -20°C ~ +69°C, T3A ② -20°C ~ +63°C, T3B ③	-20°C ~ +90°C, T3C ① -20°C ~ +90°C, T3B ② -20°C ~ +93°C, T3C ③ -20°C ~ +84°C, T3A ④	-20°C ~ +95°C, T4 ① -20°C ~ +97°C, T3C ② -20°C ~ +94°C, T3C ③
Power Factor	cos ≥ 0.9		
CRI	Cool White ≥ 70 / Warm White ≥ 80		
Lm / W (±10%)	Clear PC Cover: 140 lm/w ; Matte PC Cover: 125 lm/w		
Beam Angle	X-110° / Y-110°		
Frequency	50 / 60 Hz		
Degree of Protection	IP67 / NEMA 6		
Material • Enclosure • Lampshade	Aluminum alloy Glass / PC		
LED Service Life	60,000 hrs		
Entrance Thread	NPT 3/4"		



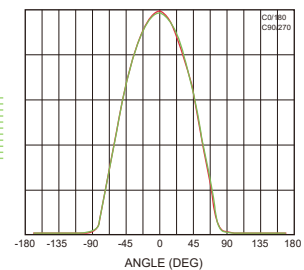
Optical Report

Polar Luminous Intensity Distribution



Luminous Intensity Distribution Diagram

Dimension in Millimeters (inches)



Model Code

THT	H	2302	A	C	K	C	9	25	WHT(W90)
			①			②	③	④	⑤

① Series type

A = With Glass
 B = With Clear PC
 C = With Matte PC

② Designates CCT of LED

C = Cool white
 W = Warm white

③ Designates voltage of LED module

1=110 Vac, 2=220 Vac, 6=120 Vac
 9=277 Vac, D=230 Vac, K=24 Vdc

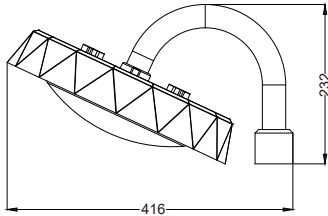
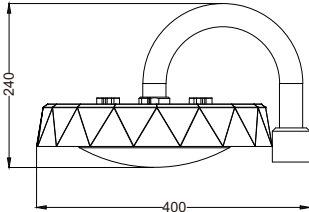
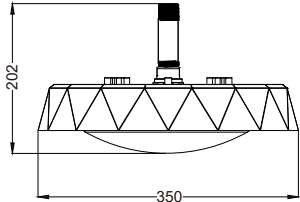
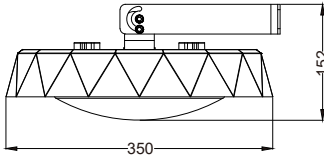
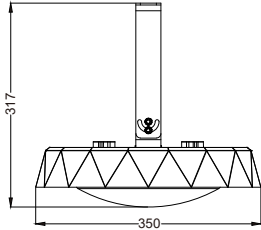
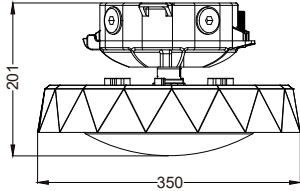
④ Designates wattage rating of the luminaire

D0=40W, E0=50W, F0=60W, F5=65W,
 G5=75W, H0=80W, I5=95W, J0=100W,
 L0=120W, N0=140W, P0=150W, S0=180W,
 U0=200W, W0=220W, Y0=240W, 25=250W

⑤ Mounting Bracket Type

S25/90=Bending Electrical Tube
 P90=Straight Electrical Tube
 WHT(W90)=Wall Mount
 WHT(H90)=Pendant Mount
 PAN=Pan Mounting - C Brand
 C=Ceiling Mount

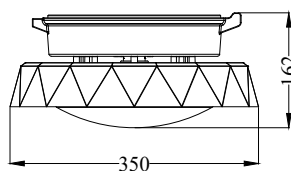
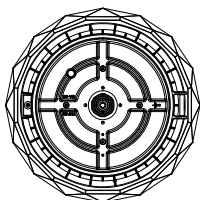
Mounting Option & Dimensions (All in mm)

<p>Bending Electrical Tube 25°(S25)</p> 	<p>Bending Electrical Tube 90°(S90)</p> 	<p>Pendant Mount(P90)</p> 
<p>Wall Mount [WHT(W90)]</p> 	<p>Hanging Mount [WHT(H90)]</p> 	<p>Ceiling Mount (C)</p> 

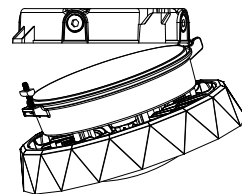
Pan Mounting Option & Dimensions (All in mm)

Retrofit Kit for C Brand

(PAN)



Installation Diagram



*Top hat is not included when placing order for retrofit pan.