

VL32 Standard Series / VT32 Series Slo-Start™ Feature

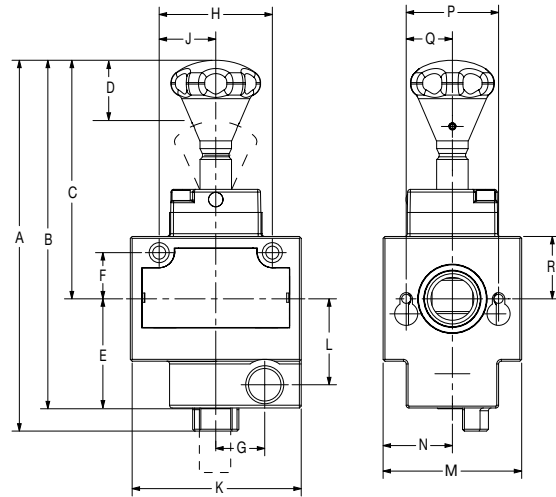
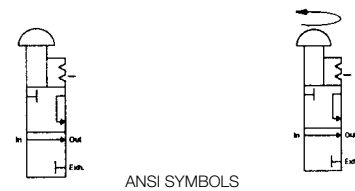
- High exhaust capability
- Detented spool
- Low-friction startup
- Meets OSHA specifications
- Surface mountable
- Modular adaptable to 32 series FRL assemblies
- Yellow body with red knob

Specifications

Temperature Range: 40° F to 120° F (4° C to 50° C)
 Maximum Pressure: 150 PSIG (10 bar)
 Flow Media: Filtered air
 Body Material: Aluminum
 Weight: VL32 Series: 2.70 lbs (1.23 kg)
 VT32 Series: 3.05 lbs (1.39 kg)

Cv Ratings

Model Number	Cv In-Out	Cv Out-Exh
VL32N03Y / VT32N03Y	5.0	5.5
VL32N04Y / VT32N04Y	6.0	6.0
VL32N06Y / VT32N06Y	8.3	6.0



Dimensions: Inches (mm)

Model	A	B	C	D	E	F	G	H
VL32	8.03 (204.0)	7.55 (191.8)	5.17 (131.3)	.960 (24.4)	2.36 (59.9)	1.0 (25.4)	1.06 (26.9)	8.03 (62.2)
VT32	9.34 (237.2)	8.86 (225.0)	6.47 (164.3)	1.05 (26.7)	2.36 (59.9)	1.0 (25.4)	1.06 (26.9)	1.00 (25.4)

	J	K	L	M	N	P	Q	R
VL32	1.225 (31.1)	3.66 (93.0)	1.86 (47.2)	3.00 (76.2)	1.50 (38.1)	2.00 (50.8)	1.00 (25.4)	1.350 (34.3)
VT32	1.225 (31.1)	3.66 (93.0)	1.86 (47.2)	3.00 (76.2)	1.50 (38.1)	2.00 (50.8)	1.00 (25.4)	1.350 (34.3)

How To Order

V L 32 N 03 A Y

Model ————
 L = Standard
 T = Slo-Start™ Feature

Threads ————
 N = NPTF
 G = G Tap (BSPP)

Options ————
 A = Metal Muffler (i.e. VL32N04AY)
 B = Scissor “Trades” Lock (i.e. VL32N04BY)

Port Size ————
 03 = 3/8 in/out, 1/2 exh.
 04 = 1/2 in/out, 1/2 exh.
 06 = 3/4 in/out, 1/2 exh.